

W2E300-CC47-01

# AC axial fan with full round nozzle straight blades (A series)



## ebm-papst Mulfingen GmbH & Co. KG

Bachmühle 2  
74673 Mulfingen  
Phone: +49 7938 81-0  
Fax: +49 7938 81-110  
www.ebmpapst.com  
info1@de.ebmpapst.com

### Nominal data

| Type                          | W2E300-CC47-01       |      |         |      |      |
|-------------------------------|----------------------|------|---------|------|------|
| Motor                         | M2E068-EC            |      |         |      |      |
| Phase                         |                      | 1~   | 1~      | 1~   | 1~   |
| Nominal voltage               | [V]                  | 230  | 230     | 230  | 230  |
| Frequency                     | [Hz]                 | 50   | 60      | 60   | 60   |
| Type of data definition       |                      | rfa  | rfa     | rfa  | rfa  |
| Valid for approval / standard |                      | CE   | UL      | CSA  | CE   |
| Speed                         | [min <sup>-1</sup> ] | 2650 | 2900    | 2900 | 2900 |
| Power input                   | [W]                  | 140  | 200     | 200  | 190  |
| Current draw                  | [A]                  | 0,62 | 0,88    | 0,88 | 0,83 |
| Motor capacitor               | [µF]                 | 5    | 5       | 5    | 5    |
| Capacitor voltage             | [VDB]                | 400  | 400     | 400  | 400  |
| Capacitor standard            |                      |      | P0 (CE) | UL   |      |
| Max. back pressure            | [Pa]                 | 150  | 150     | 150  | 150  |
| Max. ambient temperature      | [°C]                 | 55   | 50      | 50   | 50   |
| Air flow                      | [m <sup>3</sup> /h]  | 2440 | 2700    | 2700 | 2700 |
| Back pressure                 | [Pa]                 | 0    | 0       | 0    | 0    |
| Sound pressure level          | [dB(A)]              | 75   | 78      | 78   | 78   |

ml = max. load · me = max. efficiency · rfa = running at free air · cs = customer specs · cu = customer unit  
Subject to alterations

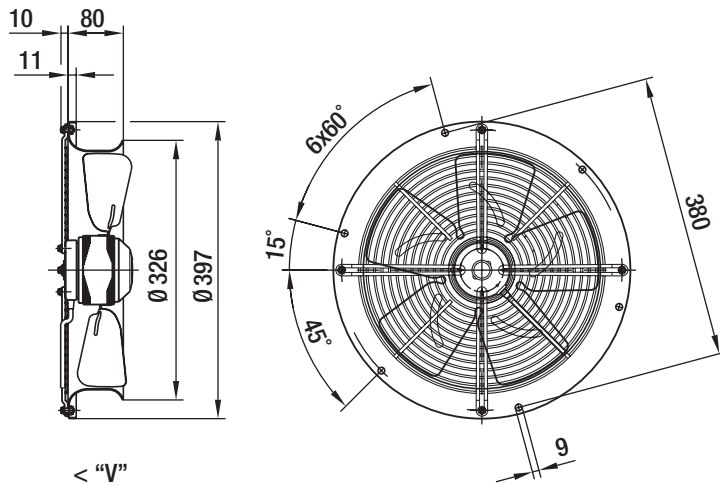
**Technical features**

|                                       |   |
|---------------------------------------|---|
| <b>Size</b>                           | 300 mm  |
| <b>Operation mode</b>                 | Continuous operation (S1)   |
| <b>Direction of rotation</b>          | Counter-clockwise, seen on rotor  |
| <b>Direction of air flow</b>          | "V"   |
| <b>Insulation class</b>               | "B"   |
| <b>Cable exit</b>                     | Variable  |
| <b>Bearing motor</b>                  | Ball bearing  |
| <b>Mass</b>                           | 2.5 kg  |
| <b>Material of impeller</b>           | Sheet steel, coated in black  |
| <b>Motor protection</b>               | Thermal overload protector (TOP) wired internally                                 |
| <b>Product conforming to standard</b> | CE  |
| <b>Number of blades</b>               | 5   |
| <b>Type of protection</b>             | IP 4X - degree of protection (water) is defined by mounting situation in end unit |
| <b>Protection class</b>               | I   |
| <b>Approval</b>                       | CCC   |

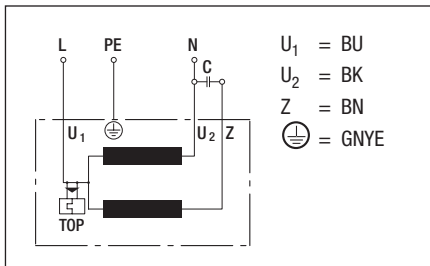
W2E300-CC47-01

# AC axial fan with full round nozzle straight blades (A series)

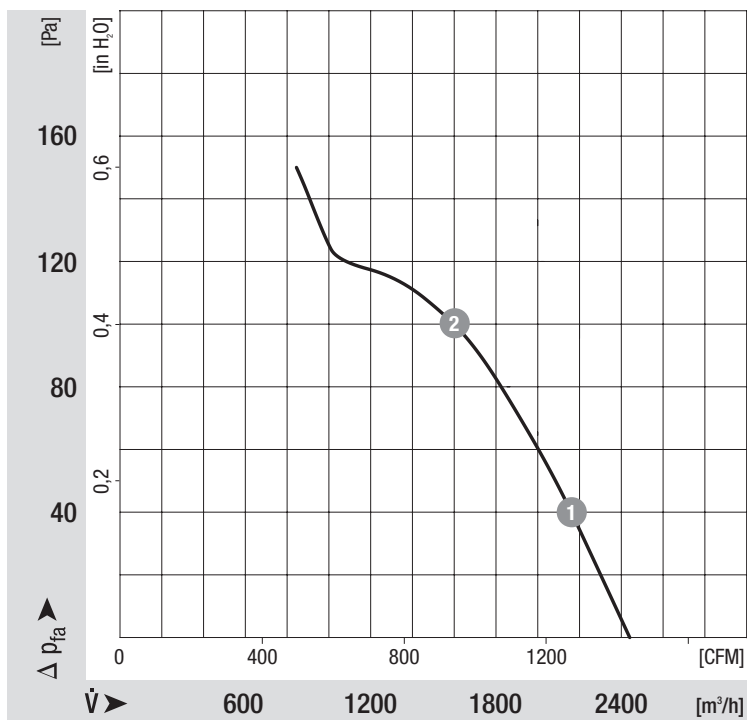
## Product drawing



Connection screen



## Charts: Air flow 50 Hz



## Measured values

|   | n                    | P <sub>1</sub> | I    |
|---|----------------------|----------------|------|
|   | [min <sup>-1</sup> ] | [W]            | [A]  |
| 1 | 2600                 | 149            | 0.66 |
| 2 | 2530                 | 162            | 0.71 |

Charts: Air flow 60 Hz

