

AC diagonal fans

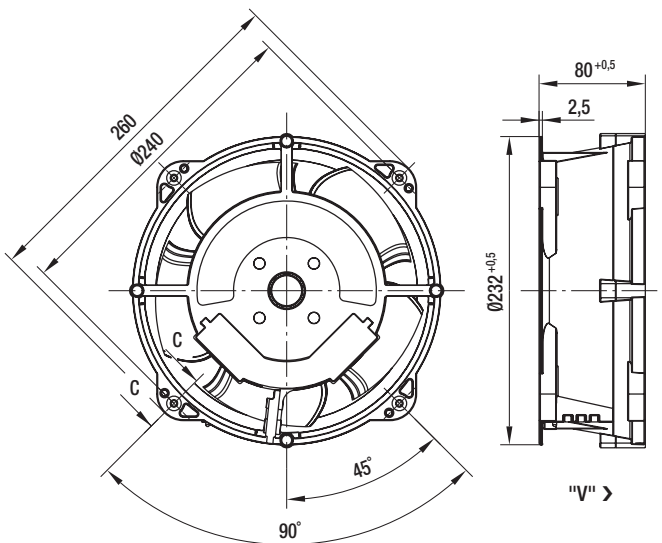
Ø 208



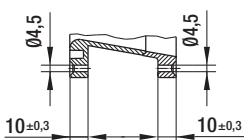
- **Material:**
Wall ring: Die-cast aluminium
Blades: Plastic PA
Rotor: Coated in black
- **Number of blades:** 5
- **Direction of air flow:** "V", exhaust over struts
- **Direction of rotation:** Counter-clockwise, seen on rotor
- **Type of protection:** IP 44
- **Insulation class:** "F"
- **Mounting position:** Any
- **Condensate discharges:** None
- **Mode of operation:**
Continuous operation (S1)
- **Bearings:** Maintenance-free ball bearings
- **Motor protection:** Ⓐ Without TOP,
Ⓑ TOP wired internally
- **Electrical connection:** Terminal strips (operating capacitor connected)
- **Protection class:** I
- **Product conforming to standards:**
EN 60335-1, Ⓑ also CE
- **Approvals:** VDE, CCC, GOST

Nominal data		Curve	Nominal voltage	Frequency	Air flow	Speed/rpm	Power input	Current draw	Capacitor	Sound pressure level	Max. operative range	Perm. amb. temp.	Mass
Type	Motor	VAC	Hz	m³/h	rpm	W	A	µF/VDB	dB(A)	Pa	°C	kg	
W2D208-BA02 -01	M2D 068-CF	Ⓐ 3~ 400 Y	50	820	2740	60	0.15	—	67	135	-25 to +70	2.8	
		Ⓐ 3~ 400 Y	60	920	3090	80	0.15	—	70	165	-25 to +70		
W2E 208-BA86 -01	M2E 068-CF	Ⓑ 1~ 115	50	815	2750	67	0.70	6.0/220	68	135	-25 to +72	2.8	
		Ⓑ 1~ 115	60	925	3100	87	0.78	6.0/220	70	165	-25 to +72		
W2E 208-BA20 -01	M2E 068-CF	Ⓑ 1~ 230	50	815	2750	67	0.33	1.5/450	68	135	-25 to +72	2.8	
		Ⓑ 1~ 230	60	925	3100	87	0.39	1.5/450	70	165	-25 to +72		

subject to alterations



Section C-C



	n [rpm]	P ₁ [W]	Lp _A [dB(A)]		n [rpm]	P ₁ [W]	Lp _A [dB(A)]
Ⓐ 1	3090	80	70	Ⓑ 1	3100	87	70
Ⓐ 2	2990	93	69	Ⓑ 2	2990	100	70
Ⓐ 3	2960	96	69	Ⓑ 3	2960	102	69
Ⓐ 4	2990	92	70	Ⓑ 4	3020	97	70

Curves

