

S4E360-EC20-05

AC axial fan with guard grille for short nozzle blades with special design (K series)



ebm-papst Mulfingen GmbH & Co. KG

Bachmühle 2

74673 Mulfingen

Phone: +49 7938 81-0

Fax: +49 7938 81-110

www.ebmpapst.com

info1@de.ebmpapst.com

Nominal data

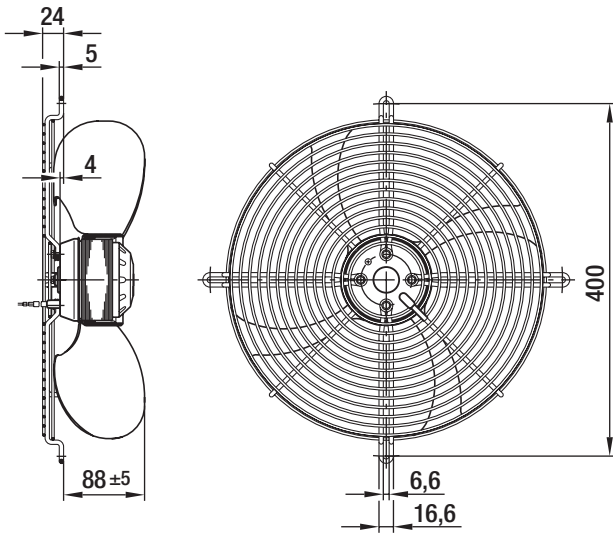
Type	S4E360-EC20-05		
Motor	M4E068-DF		
Phase		1~	1~
Nominal voltage	[V]	230	230
Frequency	[Hz]	50	60
Type of data definition		rfa	rfa
Valid for approval / standard		CE	CE
Speed	[min ⁻¹]	1320	1430
Power input	[W]	115	145
Current draw	[A]	0,54	0.64
Motor capacitor	[µF]	3	3
Capacitor voltage	[VDB]	400	400
Capacitor standard		P0 (CE)	P0 (CE)
Max. back pressure	[Pa]	55	40
Max. ambient temperature	[°C]	40	40
Air flow	[m ³ /h]	2275	2440
Back pressure	[Pa]	0	0
Sound pressure level	[dB(A)]	55	57

ml = max. load · me = max. efficiency · rfa = running at free air · cs = customer specs · cu = customer unit
Subject to alterations

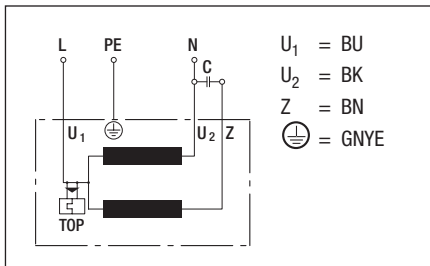
Technical features

Size	360 mm
Operation mode	Continuous operation (S1)
Direction of rotation	Counter-clockwise, seen on rotor
Direction of air flow	"V"
Insulation class	"B"
Cable exit	Axial
Bearing motor	Ball bearing
Mass	2.1 kg
Material of impeller	Plastic, black
Motor protection	Thermal overload protector (TOP) wired internally
Product conforming to standard	CE
Number of blades	4
Type of protection	IP 44 - depending on position
Protection class	I
Approval	GOST

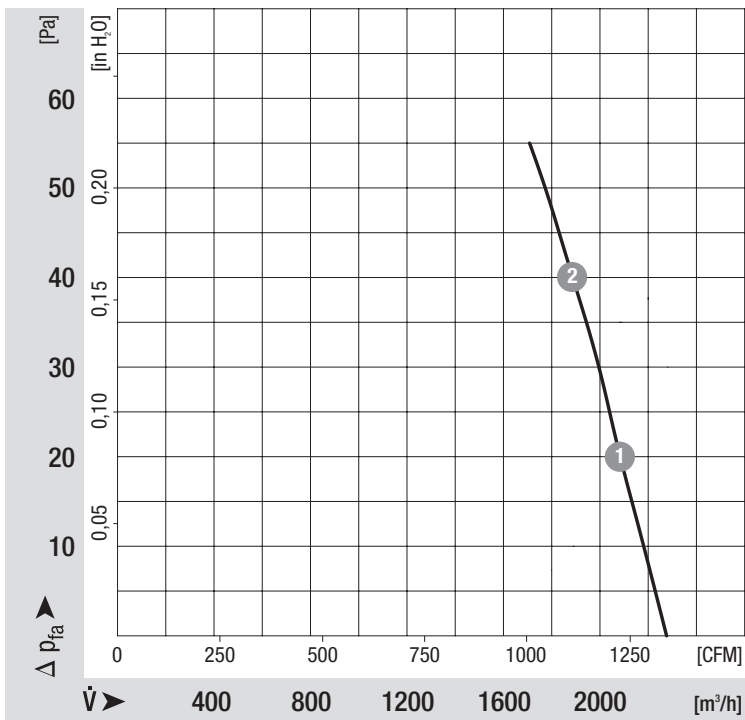
Product drawing



Connection screen



Charts: Air flow 50 Hz



Measured values

	n	P ₁	I
	[min ⁻¹]	[W]	[A]
1	1310	113	0.55
2	1300	119	0.57

Charts: Air flow 60 Hz

