

S4D250-BA04-02

# AC axial fan with guard grille for full nozzle straight blades (A series)



**ebm-papst Mulfingen GmbH & Co. KG**

Bachmühle 2

74673 Mulfingen

Phone: +49 7938 81-0

Fax: +49 7938 81-110

www.ebmpapst.com

info1@de.ebmpapst.com

## Nominal data

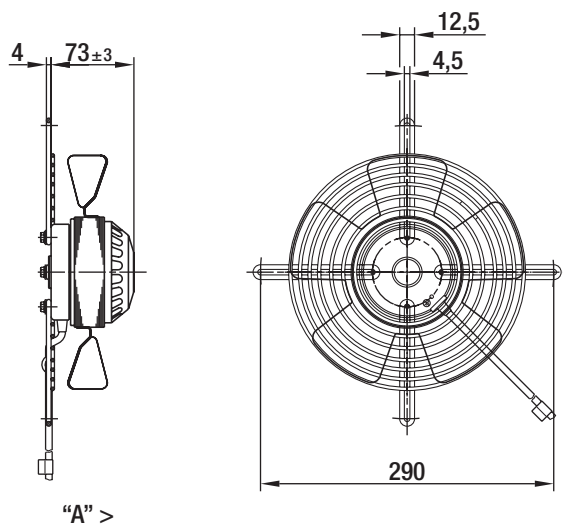
Type	S4D250-BA04-02				
Motor	M4D068-CF				
Phase		3~	3~	3~	3~
Nominal voltage	[V]	230	230	400	400
Connection		D	D	Y	Y
Frequency	[Hz]	50	60	50	60
Type of data definition		rfa	rfa	rfa	rfa
Valid for approval / standard		CE	CE	CE	CE
Speed	[min <sup>-1</sup> ]	1420	1650	1420	1650
Power input	[W]	30	35	30	35
Current draw	[A]	0,16	0.14	0.09	0.08
Max. back pressure	[Pa]	90	100	90	100
Max. ambient temperature	[°C]	80	80	80	80
Air flow	[m <sup>3</sup> /h]	890	1035	890	1035
Back pressure	[Pa]	0	0	0	0
Sound pressure level	[dB(A)]	58	62	58	62

ml = max. load · me = max. efficiency · rfa = running at free air · cs = customer specs · cu = customer unit  
Subject to alterations

**Technical features**

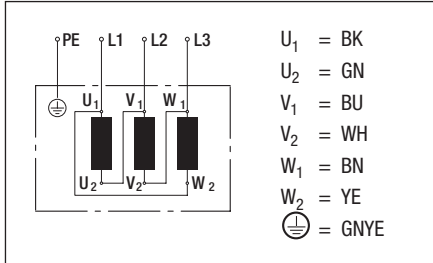
<b>Size</b>	250 mm
<b>Operation mode</b>	Continuous operation (S1)
<b>Direction of rotation</b>	Clockwise, seen on rotor
<b>Direction of air flow</b>	"A"
<b>Insulation class</b>	"B"
<b>Cable exit</b>	Lateral
<b>Bearing motor</b>	Ball bearing
<b>Mass</b>	1.6 kg
<b>Material of impeller</b>	Sheet steel, coated in black
<b>Number of blades</b>	5
<b>Type of protection</b>	IP 44 - depending on position
<b>Protection class</b>	I

Product drawing

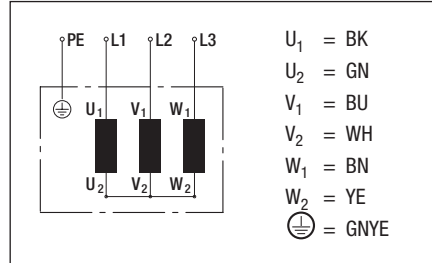


Connection screen

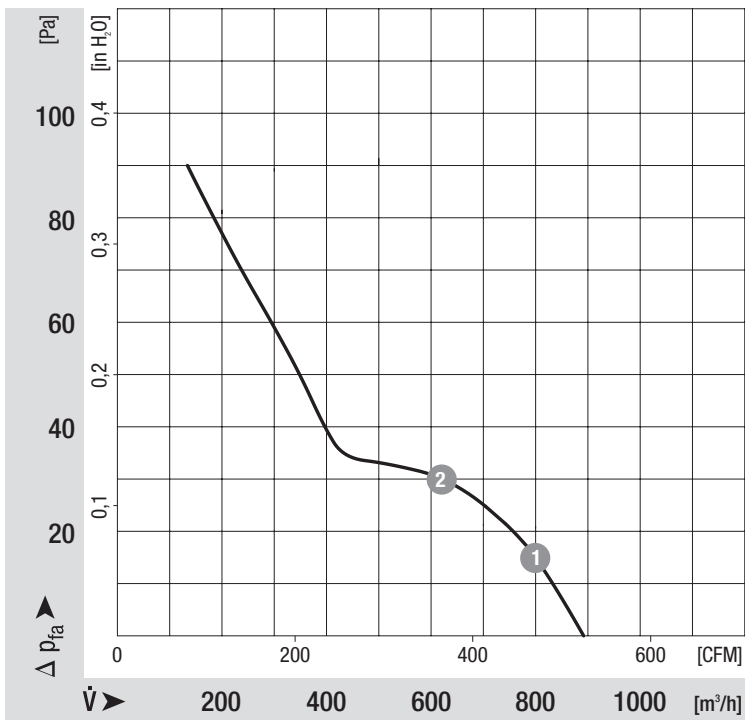
Delta (3~ 230 VAC)



Star (3~ 400 VAC)



## Charts: Air flow 50 Hz



## Measured values

	n	P <sub>1</sub>	I
	[min <sup>-1</sup> ]	[W]	[A]
1	1420	32	0.09
2	1410	33	0.09

Charts: Air flow 60 Hz

