

S2D250-BI02-01

# AC axial fan

sickled blades (S series)

with guard grille for full nozzle



**ebm-papst Mulfingen GmbH & Co. KG**

Bachmühle 2

D-74673 Mulfingen

Phone: +49(0)7938/81-0

Fax: +49(0)7938/81-110

info1@de.ebmpapst.com

www.ebmpapst.com

## Nominal data

Type	S2D250-BI02-01		
Motor	M2D068-CF		
Phase		3~	3~
Nominal voltage	[V]	400	400
Connection		Y	Y
Frequency	[Hz]	50	60
Type of data definition		rfa	rfa
Valid for approval / standard		CE	CE
Speed	[min <sup>-1</sup> ]	2500	2650
Power input	[W]	100	140
Current draw	[A]	0.20	0.23
Max. back pressure	[Pa]	150	150
Max. ambient temperature	[°C]	65	45

ml = max. load · me = max. efficiency · rfa = running at free air · cs = customer specs · cu = customer unit  
Subject to alterations

# AC axial fan

sickled blades (S series)  
with guard grille for full nozzle

## Technical features

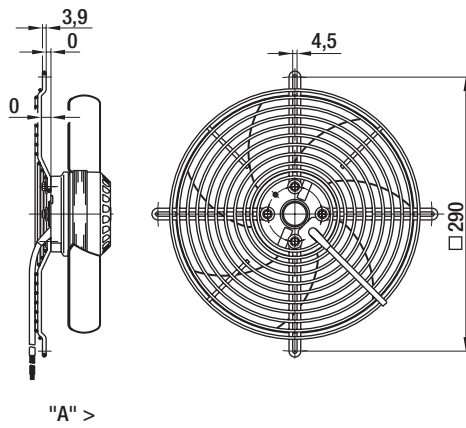
Leakage current	< 0.75 mA
Size	250 mm
Operation mode	S1
Direction of rotation	Counter-clockwise, seen on rotor
Mounting position	Shaft horizontal or rotor on bottom; rotor on top on request
Humidity class	F1-2
Direction of air flow	"A"
Insulation class	"B"
Cable exit	Lateral
Condensate discharge holes	Rotor-side
Bearing motor	Ball bearing
Mass	2.1 kg
Material of blades	Sheet steel, coated in black
Material of guard grille	Steel, phosphated and coated in black plastic
Product conforming to standard	EN 60335-1
Surface of rotor	Coated in black
Number of blades	7
Type of protection	IP 44
Protection class	I
Max. permissible ambient motor temp. (transp./ storage)	+ 80 °C
Min. permissible ambient motor temp. (transp./storage)	- 40 °C
Approval	CCC

S2D250-BI02-01

## AC axial fan

sickled blades (S series)  
with guard grille for full nozzle

### Product drawing



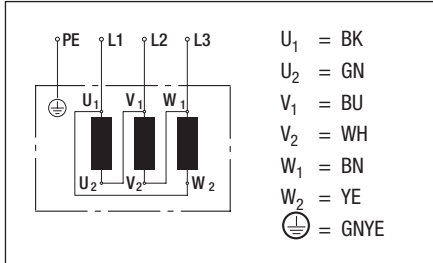
# AC axial fan

sickled blades (S series)

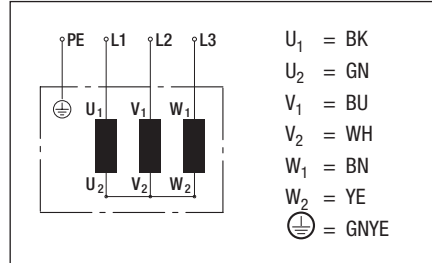
with guard grille for full nozzle

## Connection screen

Delta (3~ 230 VAC)



Star (3~ 400 VAC)

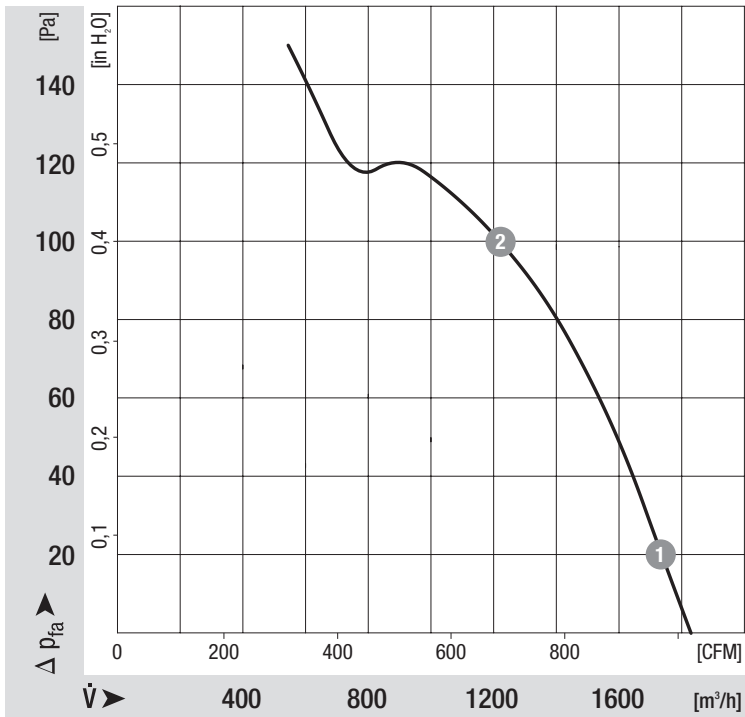


## AC axial fan

sickled blades (S series)

with guard grille for full nozzle

## Charts: Air flow 50 Hz



## Measured values

	n	P <sub>1</sub>	I
	[min <sup>-1</sup> ]	[W]	[A]
1	2455	106	0.20
2	2310	125	0.22

# AC axial fan

sickled blades (S series)

with guard grille for full nozzle

## Charts: Air flow 60 Hz

