

ebm-papst St. Georgen GmbH & Co. KG

Hermann-Papst-Str. 1

D-78112 St. Georgen

Phone +49 (0) 7724 81-0

Fax +49 (0) 7724 81-1309

info2@de.ebmpapst.com

www.ebmpapst.com

Nominal data

| Type | AC 4300 | |
|--------------------------|-------------------|-----------|
| Nominal voltage range | VAC | 85 .. 265 |
| Frequency | Hz | 50/60 |
| Speed (rpm) | min ⁻¹ | 2800 |
| Power consumption | W | 6.7 |
| Min. ambient temperature | °C | -20 |
| Max. ambient temperature | °C | 70 |
| Air flow | m ³ /h | 170 |
| Sound power level | B | 5.8 |
| Sound pressure level | dB(A) | 45 |

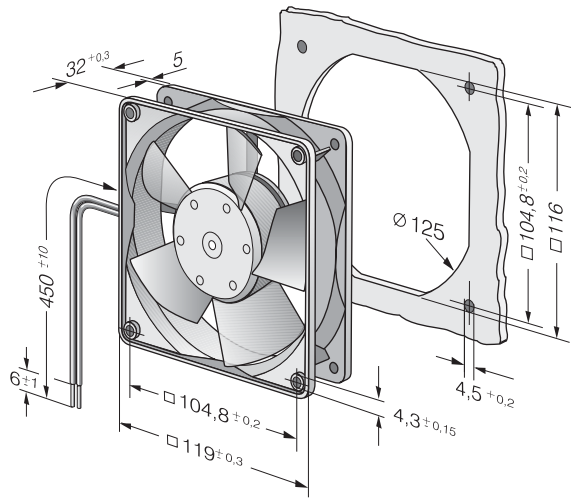
ml = Max. load · me = Max. efficiency · fa = Free air · cs = Customer specification · ce = Customer equipment
Subject to change



Technical description

| | |
|--|--|
| General description | Universally usable for all line voltages |
| Weight | 0.325 kg |
| Dimensions | 119 x 119 x 32 mm |
| Impeller material | Glass-fiber reinforced PA plastic |
| Housing material | Glass-fiber reinforced PBTP plastic |
| Airflow direction | Exhaust over struts |
| Direction of rotation | Clockwise, viewed toward rotor |
| Bearing | Ball bearing |
| Service life L10 at 40 °C | 70000 h |
| Service life L10 at maximum temperature | 25000 h |
| Cable | With leads AWG 22, TR 64 |

Product drawing



Curves

