

**ebm-papst St. Georgen GmbH & Co. KG**

Hermann-Papst-Str. 1  
 D-78112 St. Georgen  
 Phone +49 (0) 7724 81-0  
 Fax +49 (0) 7724 81-1309  
 info2@de.ebmpapst.com  
 www.ebmpapst.com

**Nominal data**

Type	AC 100 NR-017	
Nominal voltage range	VDC	85 .. 265
Frequency	Hz	50/60
Speed (rpm)	min <sup>-1</sup>	3300
Power consumption	W	3.5
Min. ambient temperature	°C	-10
Max. ambient temperature	°C	55
Air flow	m <sup>3</sup> /h	53 - 66
Sound power level	B	4.4 - 5.0
Sound pressure level	dB(A)	33-40

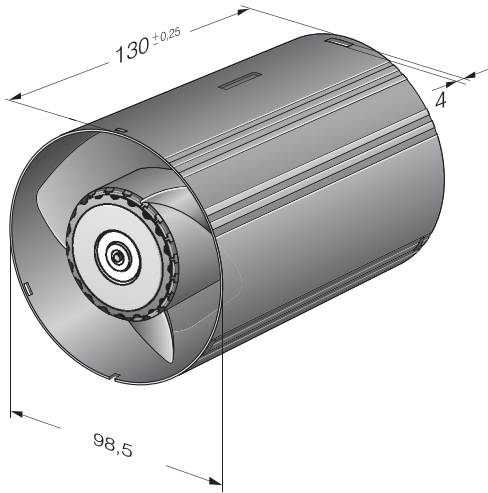
ml = Max. load · me = Max. efficiency · fa = Free air · cs = Customer specification · ce = Customer equipment  
 Subject to change



**Technical description**

<b>Weight</b>	0.40 kg
<b>Dimensions</b>	98.5 x 130 mm
<b>Airflow direction</b>	Intake over struts
<b>Direction of rotation</b>	Clockwise, viewed toward rotor
<b>Service life L10 at 40 °C</b>	70000 h
<b>Service life L10 at maximum temperature</b>	50000 h
<b>Cable</b>	Via 3-pin Europa terminal strip, max. 1.5 mm

Product drawing



Curves

