

**ebm-papst St. Georgen GmbH & Co. KG**

Hermann-Papst-Str. 1
 D-78112 St. Georgen
 Phone +49 (0) 7724 81-0
 Fax +49 (0) 7724 81-1309
 info2@de.ebmpapst.com
 www.ebmpapst.com

Nominal data

Type	3252 JH3	
Nominal voltage	VDC	12
Nominal voltage range	VDC	7 .. 13,2
Speed (rpm)	min ⁻¹	7450
Power consumption	W	35.0
Current draw	A	158
Min. ambient temperature	°C	-20
Max. ambient temperature	°C	70
Air flow	m ³ /h	270
Sound power level	B	7.6
Sound pressure level	dB(A)	64

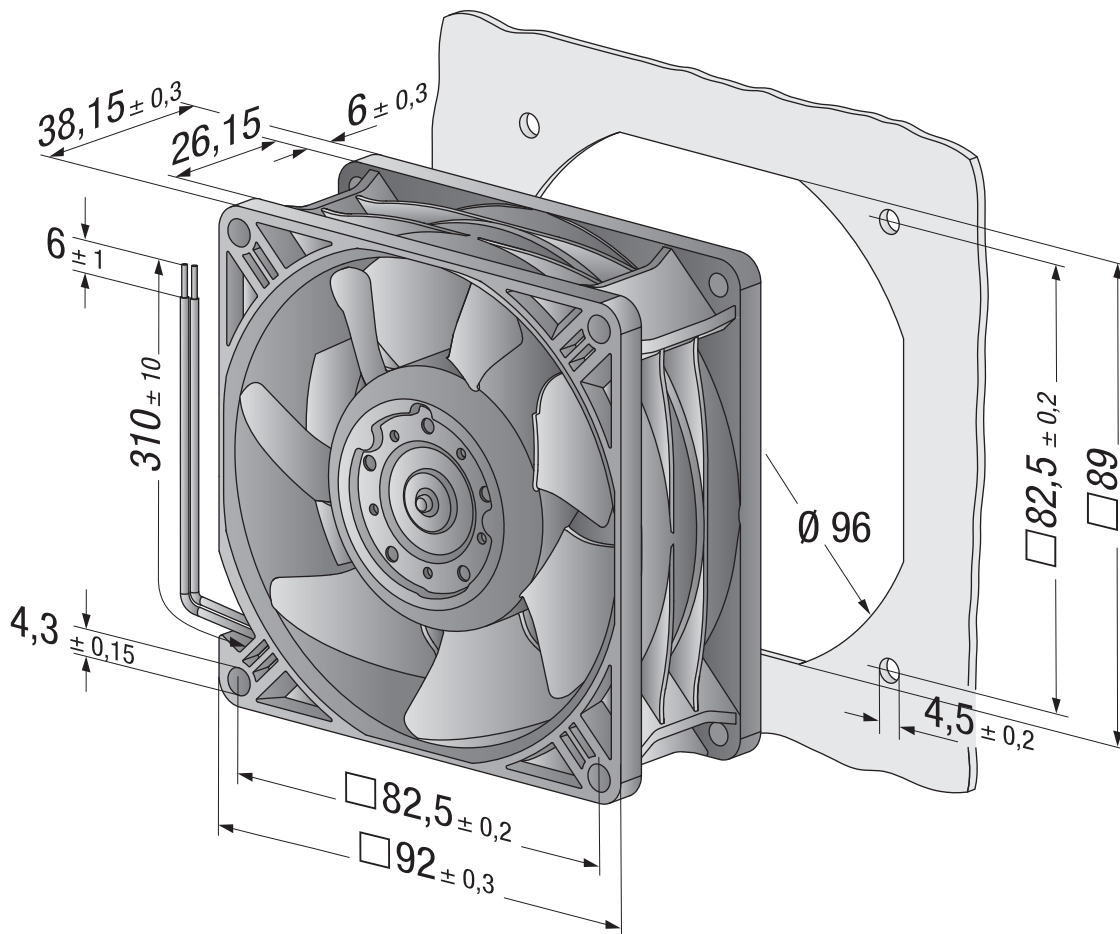
ml = Max. load · me = Max. efficiency · fa = Free air · cs = Customer specification · ce = Customer equipment
 Subject to change



Technical description

Weight	0.24 kg
Dimensions	92 x 92 x 38 mm
Airflow direction	Exhaust over struts
Direction of rotation	Clockwise, viewed toward rotor
Service life L10 at 40 °C	85000 h
Service life L10 at maximum temperature	42500 h
Cable	With leads AWG 22.TR 64

Product drawing



Curves

