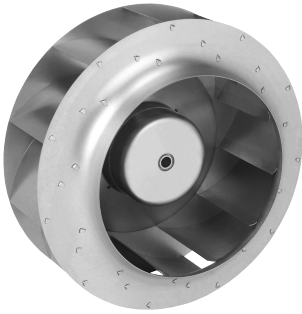


R3G280-AA75-01

EC centrifugal fan

backward curved, single inlet



ebm-papst Mulfingen GmbH & Co. KG

Bachmühle 2 · D-74673 Mulfingen

Phone +49 7938 81-0

Fax +49 7938 81-110

info1@de.ebmpapst.com

www.ebmpapst.com

Nominal data

Type	R3G280-AA75-01	
Motor	M3G074-CF	
Phase		1~
Nominal voltage	VAC	115
Nominal voltage range	VAC	100 .. 130
Frequency	Hz	50/60
Type of data definition		ml
Speed	min ⁻¹	1670
Power input	W	140
Current draw	A	1.8
Min. ambient temperature	°C	-25
Max. ambient temperature	°C	60

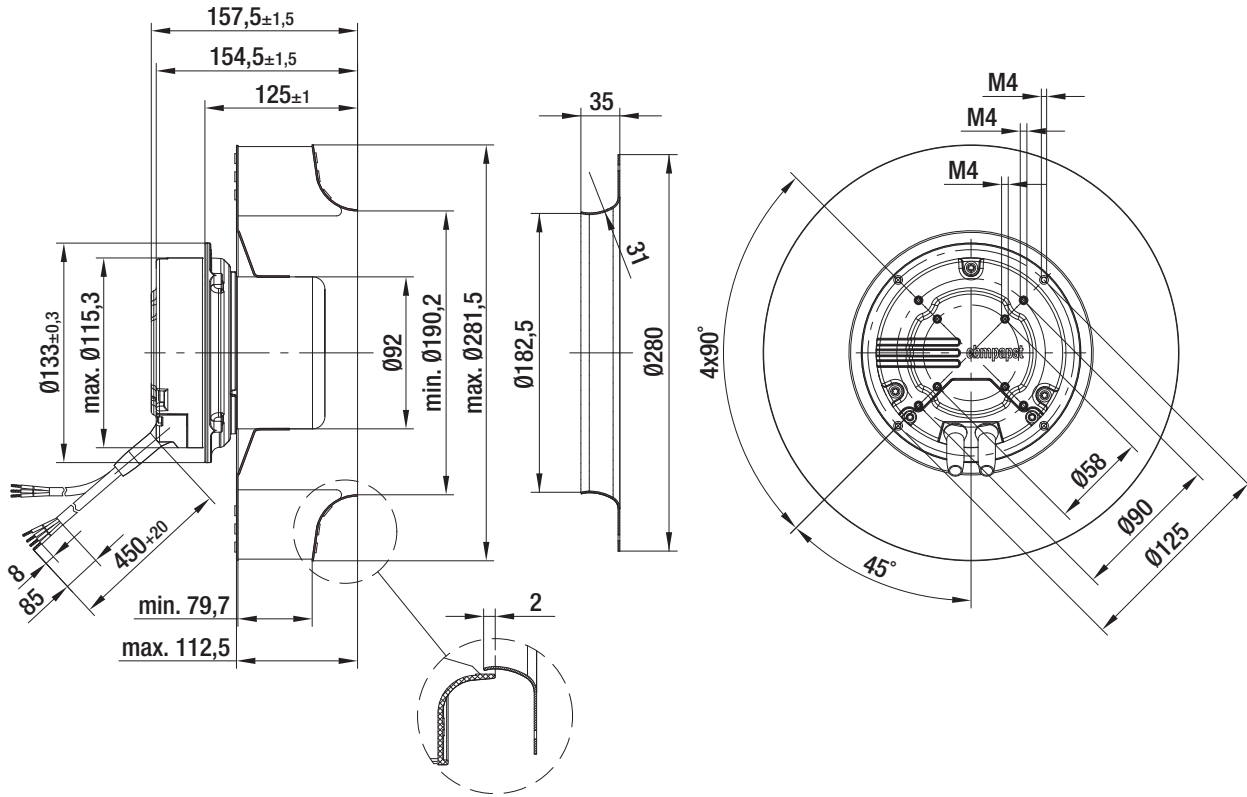
ml = max. load · me = max. efficiency · rfa = running at free air · cs = customer specs · cu = customer unit
Subject to alterations



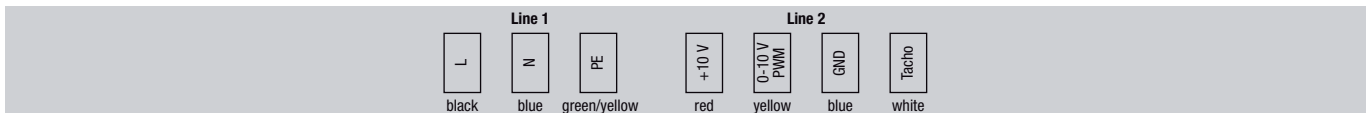
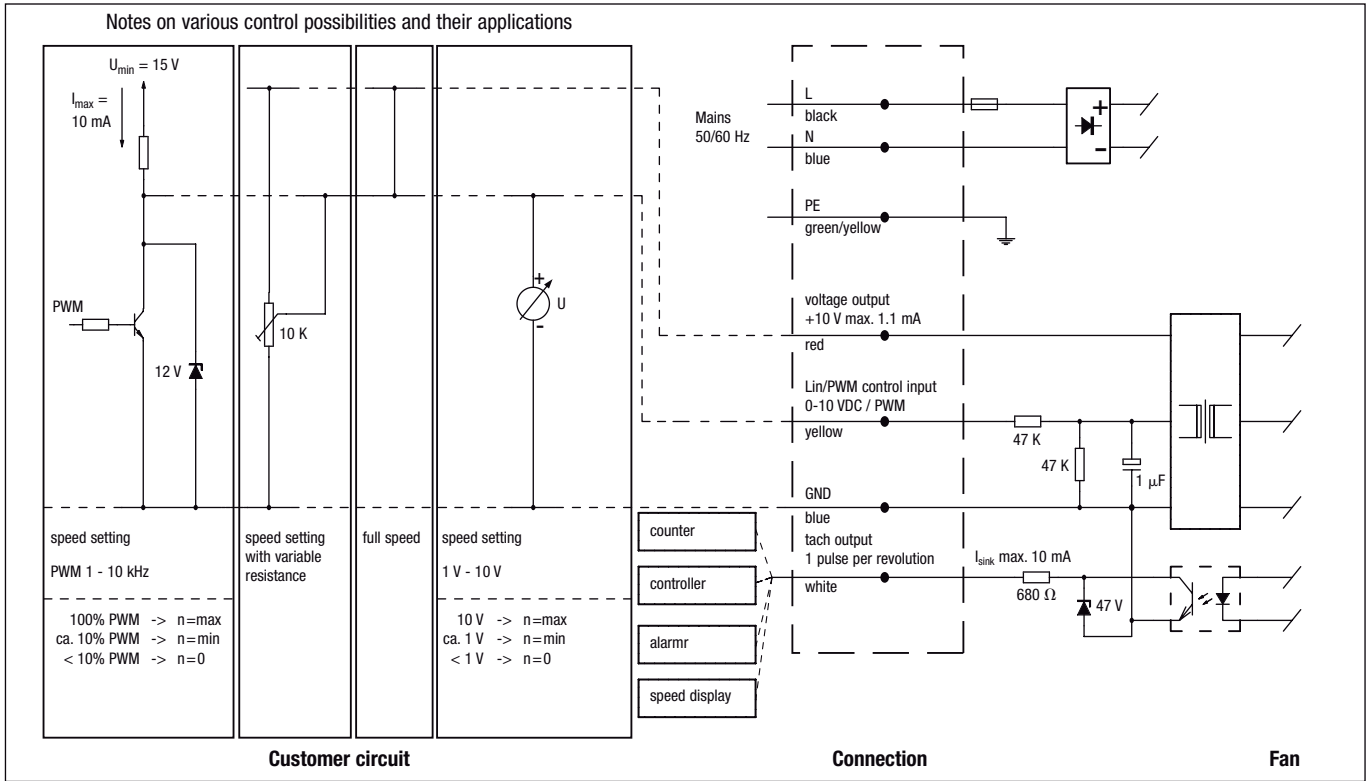
Technical features

Leakage current	> 3.5 mA
General description	Integrated electronics
Size	280 mm
Operation mode	Continuous operation (S1)
Direction of rotation	Clockwise, seen on rotor
Mounting position	Shaft horizontal or rotor on top; rotor on bottom on request
Humidity class	F3-1
Insulation class	"B"
Cable exit	Variable
Motor bearing	Ball bearing
Mass	3.2 kg
Material of electronics housing	Electronics enclosure: die-cast aluminum, rotor: galvanized
Material of impeller	Sheet steel, galvanised
Motor protection	Thermal overload protector (TOP) wired internally
Number of blades	11
Type of protection	IP 44
Protection class	I
Technical features	PFC (passive), control input 0-10 VDC / PWM, output 10 VDC max. 1.1 mA, tach output, over-temperature protected electronics / motor
Approval	CSA C22.2 Nr.77; UL 2111

Product drawing



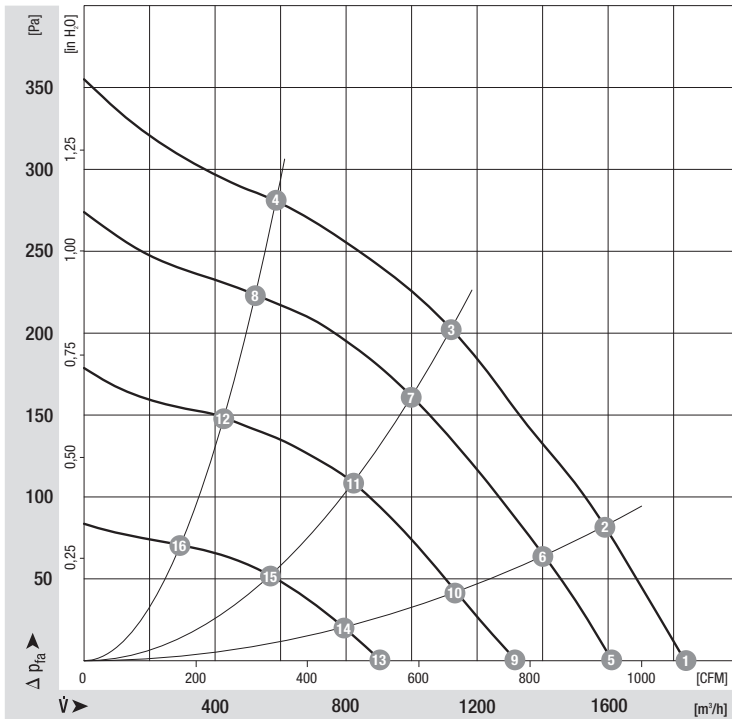
Connection screen



Line	Signal	Colour	Assignment / function
1	L	black	Mains 50/60 Hz, phase
	N	blue	Mains 50/60 Hz, neutral
	PE	green/yellow	Protective earth

Line	Signal	Colour	Assignment / function
2	+10 V	red	Voltage output +10 V max. 1.1 mA
	0-10 V / PWM	yellow	Control input
	GND	blue	GND
	Tacho	white	Tach output: pulses per revolution

Charts: Air flow



Measured values

	n	P _e	I
	min ⁻¹	W	A
1	1750	107	1.40
2	1710	123	1.60
3	1675	138	1.80
4	1720	119	1.50
5	1550	73	1.00
6	1530	89	1.20
7	1500	99	1.30
8	1540	86	1.10
9	1280	45	0.60
10	1250	51	0.70
11	1230	58	0.80
12	1260	50	0.70
13	880	18	0.30
14	870	21	0.30
15	870	23	0.40
16	880	20	0.30