

R3G180-AA01-81

# EC centrifugal fan

forward curved, single inlet



**ebm-papst Mulfingen GmbH & Co. KG**

Bachmühle 2

D-74673 Mulfingen

Phone +49 7938 81-0

Fax +49 7938 81-110

info1@de.ebmpapst.com

www.ebmpapst.com

## Nominal data

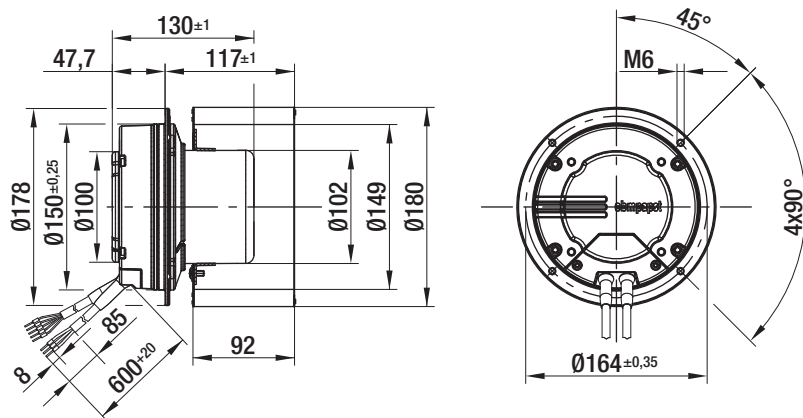
Type	R3G180-AA01-81	
Motor	M3G084-DF	
Phase		1~
Nominal voltage	VAC	115
Nominal voltage range	VAC	100 .. 130
Frequency	Hz	50/60
Type of data definition		ml
State		prelim.
Speed	min <sup>-1</sup>	1970
Power input	W	335
Current draw	A	3.9
Min. back pressure	Pa	200
Max. ambient temperature	°C	60

ml = max. load · me = max. efficiency · rfa = running at free air · cs = customer specs · cu = customer unit  
Subject to alterations

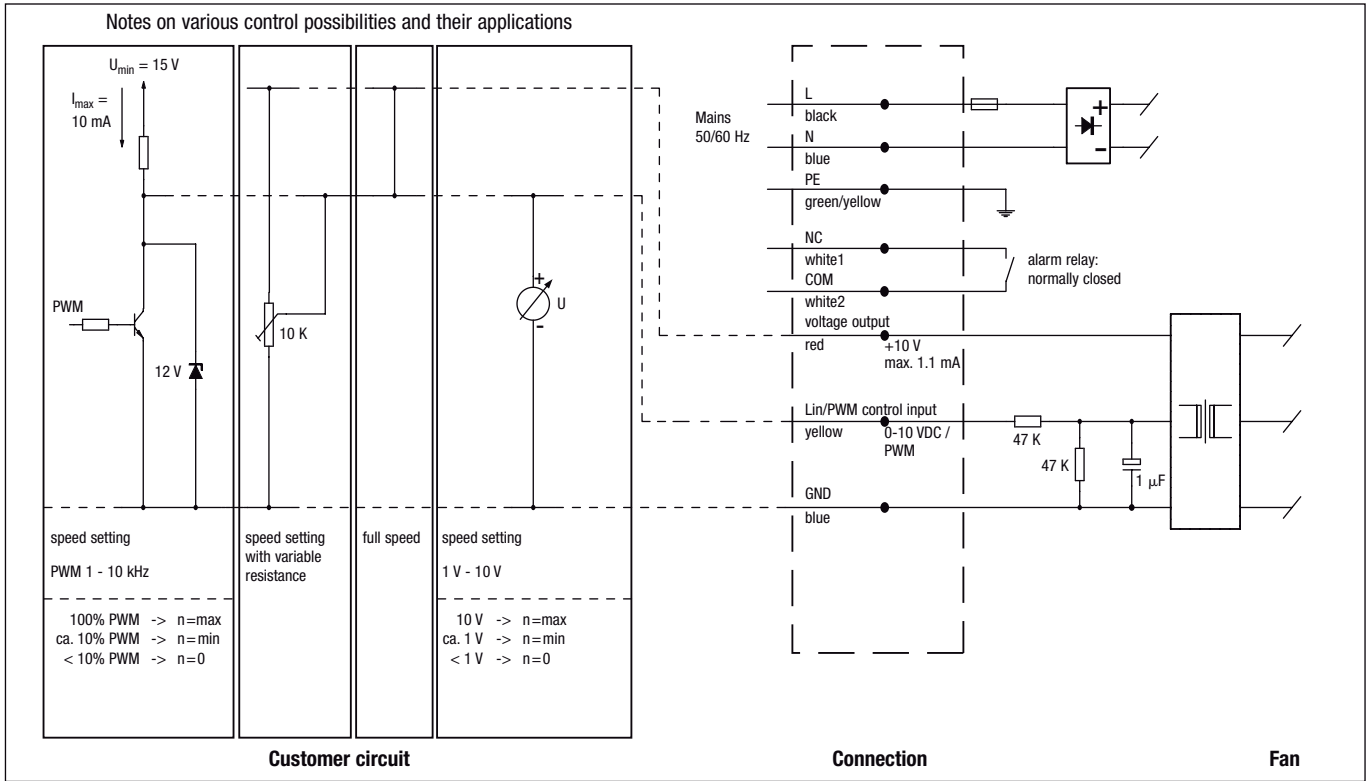
## Technical features

<b>General description</b>	Integrated electronics
<b>Size</b>	180 mm
<b>Operation mode</b>	Continuous operation (S1)
<b>Direction of rotation</b>	Clockwise, seen on rotor
<b>Mounting position</b>	Shaft horizontal or rotor on top; rotor on bottom on request
<b>Insulation class</b>	"B"
<b>Cable exit</b>	Variable
<b>Motor bearing</b>	Ball bearing
<b>Mass</b>	3.9 kg
<b>Material of electronics housing</b>	Rotor: Coated in black
<b>Material of impeller</b>	Sendzimir galvanized sheet steel
<b>Motor protection</b>	Thermal overload protector (TOP) wired internally
<b>Type of protection</b>	IP 44
<b>Protection class</b>	I
<b>Technical features</b>	PFC (passive), control input 0-10 VDC / PWM, output 10 VDC max. 1.1 mA, tach output, over-temperature protected electronics / motor

## Product drawing



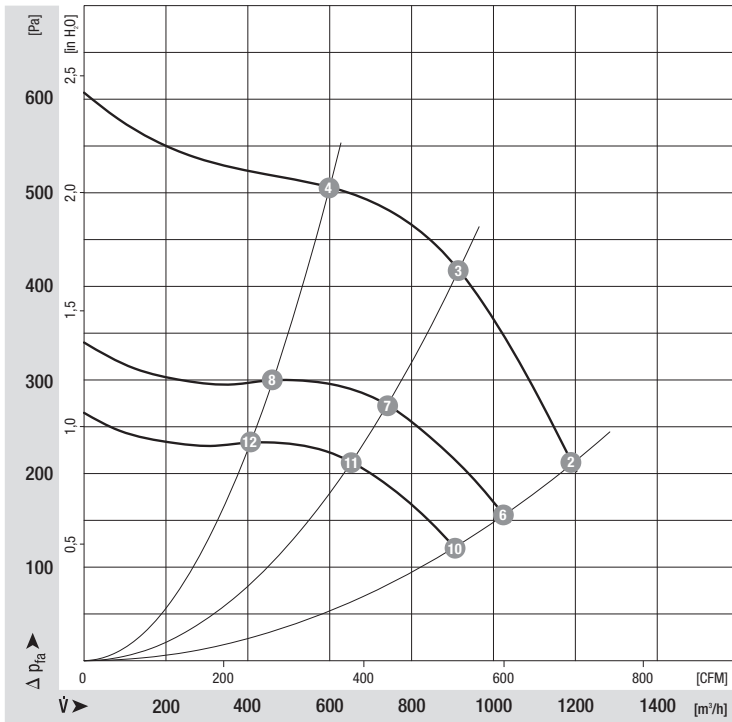
## Connection screen



Line	Signal	Colour	Assignment / function
1	L	black	Mains 50/60 Hz, phase
	N	blue	Mains 50/60 Hz, neutral
	PE	green/yellow	Protective earth
	NC	white1	Alarm relay, normally closed
	COM	white2	Alarm relay, COMMON

Line	Signal	Colour	Assignment / function
2	+10 V	red	Voltage output +10 V max. 1.1 mA
	0-10 V / PWM	yellow	Control input
	GND	blue	GND

## Charts: Air flow



## Measured values

	<b>n</b>	<b>P<sub>e</sub></b>	<b>I</b>
	min <sup>-1</sup>	W	A
1			
2	1970	355	3.90
3	2100	265	3.15
4	2205	195	2.35
5			
6	1700	213	2.45
7	1700	140	1.65
8	1700	90	1.10
9			
10	1500	147	1.70
11	1500	96	1.15
12	1500	61	0.75