

A4E300-AH26-06

# AC axial fan

blades with special design (K series)



**ebm-papst Mulfingen GmbH & Co. KG**

Bachmühle 2

74673 Mulfingen

Phone: +49 7938 81-0

Fax: +49 7938 81-110

[www.ebmpapst.com](http://www.ebmpapst.com)

[info1@de.ebmpapst.com](mailto:info1@de.ebmpapst.com)

## Nominal data

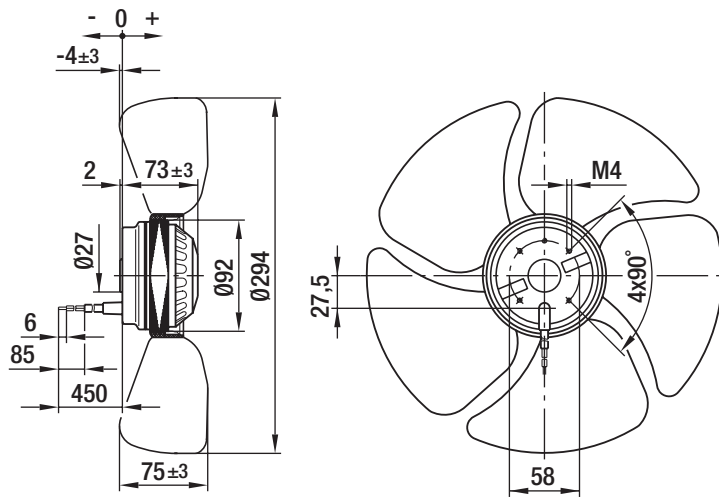
Type	A4E300-AH26-06		
Motor	M4E068-CF		
Phase		1~	1~
Nominal voltage	[V]	230	230
Frequency	[Hz]	50	60
Type of data definition		rfa	rfa
Valid for approval / standard		CE	UL
Speed	[min <sup>-1</sup> ]	1350	1480
Power input	[W]	70	95
Current draw	[A]	0,31	0.41
Motor capacitor	[μF]	1,5	1.5
Capacitor voltage	[VDB]	400	400
Max. back pressure	[Pa]	80	65
Max. ambient temperature	[°C]	60	55
Air flow	[m <sup>3</sup> /h]	1340	1460
Back pressure	[Pa]	0	0
Sound pressure level	[dB(A)]	58	61

ml = max. load · me = max. efficiency · rfa = running at free air · cs = customer specs · cu = customer unit  
Subject to alterations

## Technical features

<b>Size</b>	300 mm
<b>Operation mode</b>	Continuous operation (S1)
<b>Direction of rotation</b>	Clockwise, seen on rotor
<b>Direction of air flow</b>	"A"
<b>Insulation class</b>	"B"
<b>Cable exit</b>	Variable
<b>Bearing motor</b>	Ball bearing
<b>Mass</b>	1.7 kg
<b>Material of impeller</b>	PA plastic, black
<b>Motor protection</b>	Thermal overload protector (TOP) wired internally
<b>Product conforming to standard</b>	CE
<b>Number of blades</b>	5
<b>Type of protection</b>	IP 44 - depending on position
<b>Protection class</b>	I
<b>Approval</b>	CCC; GOST

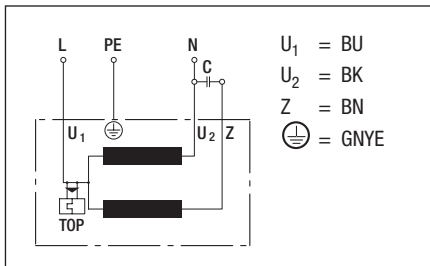
## Product drawing



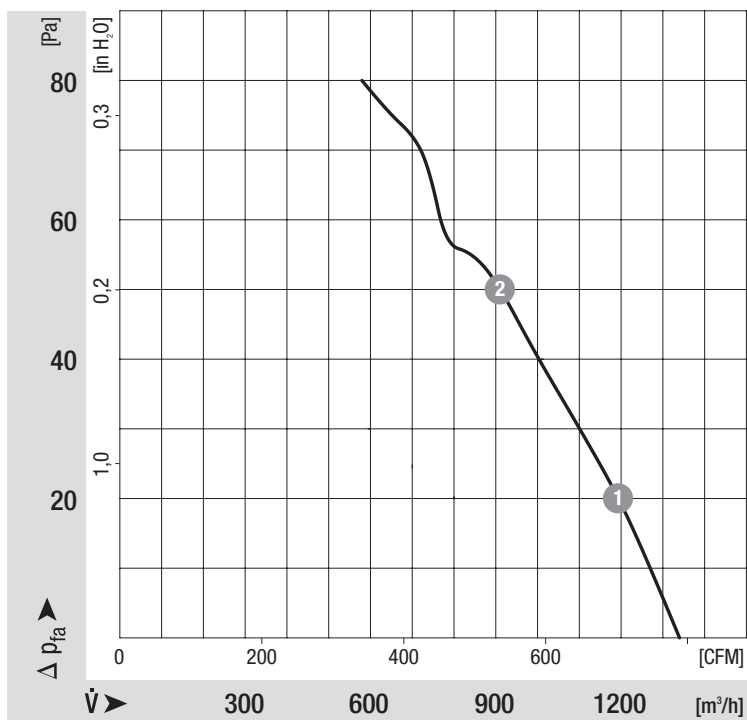
# AC axial fan

blades with special design (K series)

## Connection screen



## Charts: Air flow 50 Hz



## Measured values

	n	P <sub>1</sub>	I
	[min <sup>-1</sup> ]	[W]	[A]
1	1325	71	0.32
2	1310	73	0.33

## Charts: Air flow 60 Hz

