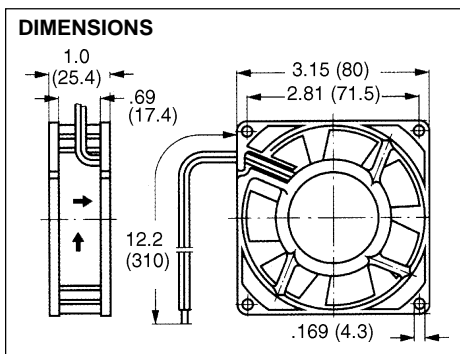
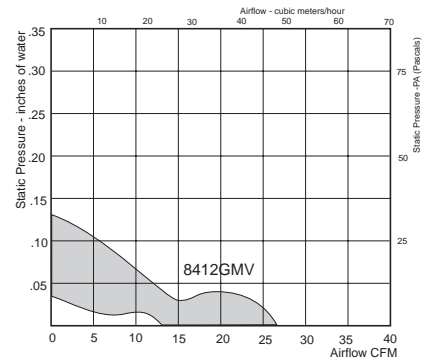
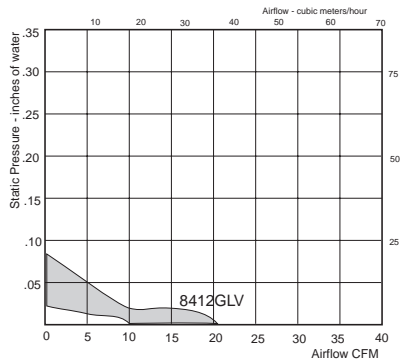
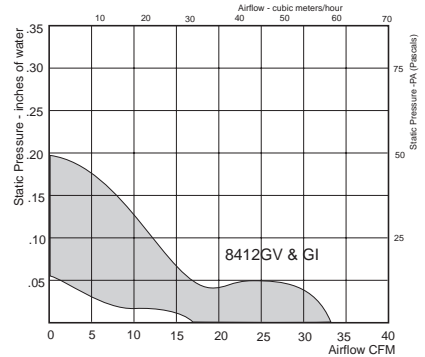


80 x 25mm (3.2" X 1.0") DC VARIOFAN

8400V Series



HIGH PERFORMANCE
SINTEC
 SLEEVE BEARING SYSTEM



3.15" X 3.15" X 1.00" Brushless DC, Plastic, Air Exhaust – Over Struts

PART NUMBER	Type of Bearing	DC Volts	Voltage Range	Temp. °C	Temp. Watts	CFM @ 0"	dBA	Temp. Max °C	Wgt. (oz)	Features	Approvals* UL CSA VDE
8412GLV	Sleeve	12	8 - 14	30	0.7	10	10	65	5	24 AWG 12.2" Leads	✓ ✓ ✓
				50	1.2	21	20				
8412GMV	Sleeve	12	8 - 14	30	0.8	13	12	65	5	24 AWG 12.2" Leads	✓ ✓ ✓
				50	1.5	27	29				
8412/10GMV	Sleeve	12	8 - 14	30	0.8	13	12	65	5	Leads, Alarm	✓ ✓ ✓
				50	1.5	27	29				
8412GV	Sleeve	12	8 - 14	30	1.0	17	15	65	5	24 AWG 12.2" Leads	✓ ✓ ✓
				50	2.2	33	35				
8412GI**	Sleeve	12	8 - 14	30	1.0	17	15	65	5	24 AWG 12.2" Leads	✓ ✓ ✓
				50	2.2	33	35				

* UL yellow card E38324, CSA file 27697, VDE file 3072

** Temperature Sensor integrated into the fan hub (directly in the air flow)

Temperature Sensor must be ordered separately: LZ 370 (for all fans except 8412GI)

CONSTRUCTION MOUNTING & CONNECTION	Mounting:	From either face using four .169" (4.3mm) holes	Connection:	Three lead wires color coded, red (+), blue (-) / black (-) violet (temp sensor)
	Weight:	5 ounces (145g)	Options:	Hall Effect monitor; Alarm
	Housing:	Plastic with plastic impeller		