

# 1G360 Series

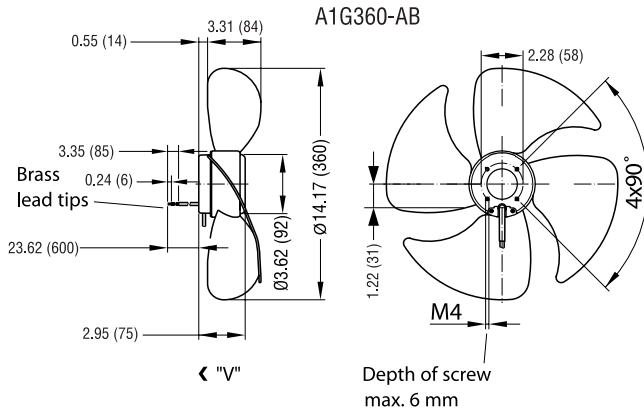
Axial



## Ø 360mm K-Range

- DC axial fans have least power consumption blowing at free air. As the back pressure increases, the power consumption increases. The combination of impeller and external-rotor motor provides an optimal aerodynamic solution.
- Integrated electronics, reverse polarity and locked-rotor protection.
- Impellers are injection-molded of high quality plastic.
- Direction of rotation:  
Dir. of air flow "V" counter-clockwise;  
Dir. of air flow "A" clockwise
- Mounting plate using 19 mm holes. Ready to install.
- UL, CSA, VDE approvals on some models, please contact application engineering.

| Part Number    | Curve | CFM @ 0 | VDC | Volt. Range | Power (K-W) | dBA | Max. Amb. Temp. C | Speed (RPM) | Dir. of Air Flow | Features | Wgt. (lbs)+ |
|----------------|-------|---------|-----|-------------|-------------|-----|-------------------|-------------|------------------|----------|-------------|
| A1G360-AB19-52 | 1     | 1471    | 24  | 16 to 28    | 105         | 58  | 60                | 1410        | V                | -        | 3.97        |
| S1G360-BB19-52 | 1     | 1471    | 24  | 16 to 28    | 105         | 58  | 60                | 1410        | V                | Grill    | 3.97        |
| A1G360-AB33-52 | 1     | 1471    | 48  | 36 to 57    | 100         | 58  | 60                | 1410        | V                | -        | 3.97        |
| S1G360-BB33-52 | 1     | 1471    | 48  | 36 to 57    | 100         | 58  | 60                | 1410        | V                | Grill    | 3.97        |



|   | n [RPM] | P <sub>1</sub> [W] | η <sub>IL</sub> [%] | Lp <sub>A</sub> [dBA] | n [RPM] | P <sub>1</sub> [W] | η <sub>IL</sub> [%] | Lp <sub>A</sub> [dBA] |
|---|---------|--------------------|---------------------|-----------------------|---------|--------------------|---------------------|-----------------------|
| 1 | 1500    | 128                | —                   | 61                    | 5       | 1120               | 56                  | 55                    |
| 1 | 1450    | 130                | 37                  | 60                    | 6       | 1090               | 58                  | 54                    |
| 1 | 1430    | 131                | 45                  | 59                    | 7       | 1070               | 59                  | 54                    |
| 1 | 1420    | 132                | 47                  | 63                    | 8       | 1070               | 60                  | 57                    |
| 1 | 1410    | 105                | —                   | 58                    |         |                    |                     |                       |
| 1 | 1360    | 106                | 37                  | 57                    |         |                    |                     |                       |
| 1 | 1330    | 107                | 45                  | 57                    |         |                    |                     |                       |
| 1 | 1330    | 108                | 47                  | 61                    |         |                    |                     |                       |

