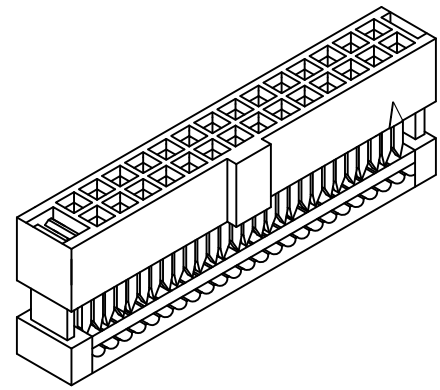
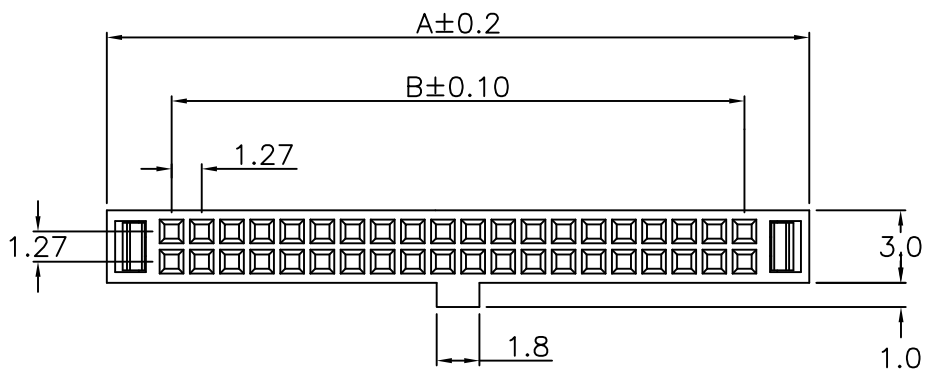


REV.	SPECIFICATION	ECN NO.	APPD.



Material:

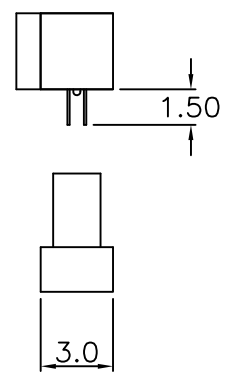
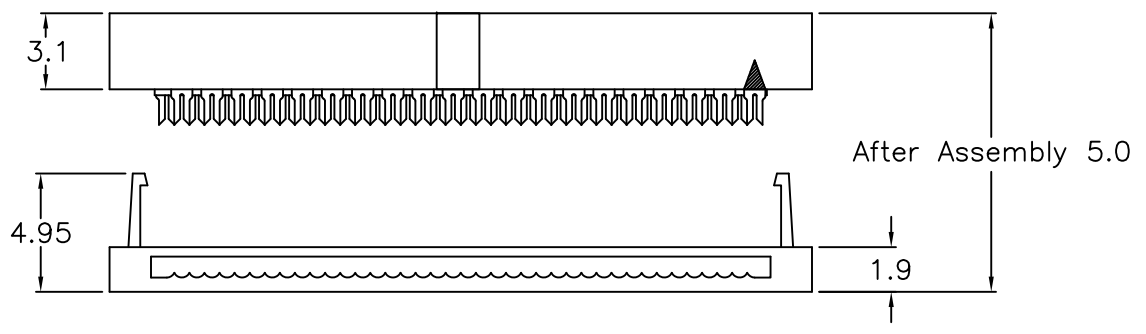
Housing: Thermoplastic Polyester Glass Filled UL94V-0.
 Contacts: Copper Alloy.
 Cable: 0.635mm(0.02")pitch flat cable.

Electrical Characteristics:

Current Rating: 0.5 AMP.
 Dielectric Withstanding Voltage: AC 250V for minute.
 Insulator Resistance: 1000MΩ min. at DC 250V.
 Contact Resistance: 30mΩ max. at DC 100mA.
 Operating Temperature: -40°C~+105°C.

***RoHS Compliant**

Insertion Depth: 1.5mm~3.0mm.



Positon	Dimension	
	A	B
6	8.01	2.54
8	9.28	3.81
10	10.55	5.08
12	11.82	6.35
14	13.09	7.62
16	14.36	8.89
20	16.90	11.43
22	18.17	12.70
24	19.44	13.97
28	20.71	15.24
30	23.25	17.78
32	24.52	19.05
34	25.79	20.32
38	27.06	21.59
40	29.60	24.13
44	32.14	26.67
50	35.95	30.48
60	42.30	36.83
64	44.84	39.37
68	47.38	41.91
80	55.00	49.53

1204-xx G xx B 2 A
 Series No.of Pin Count G:Gold Plated 00:G/F B:Black 2:W/O A:Tray Package
 Strain Relief

Tolerances x = ±0.5 .x = ±0.25 .xx = ±0.15	Dwg No.	1204D02001	Title: 1204 Series I.D.C Socket 1.27mmx1.27mm	 OUPIIN ELECTRONIC(KUNSHAN) CO., LTD. P/N: 1204-xxG00B2A				
	Projection							SHEET
	Unit	mm		Scale	1:1			
Drawn By	Peggy 05/04'15		0722/703					