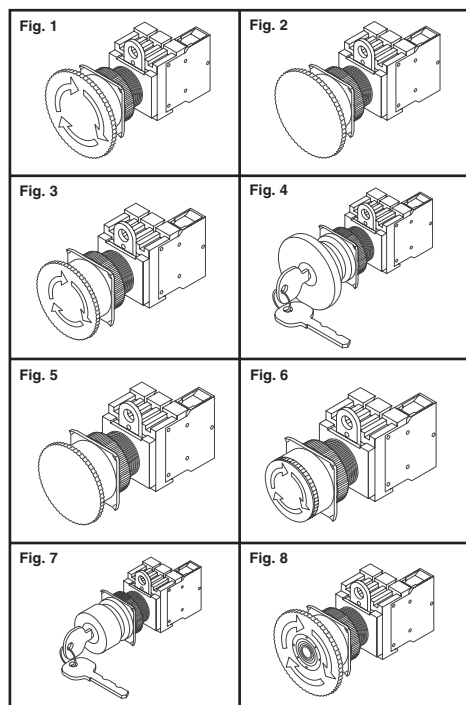


Emergency Stop Pushbutton Switches



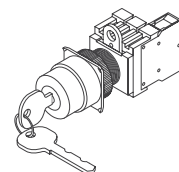
Omron Emergency stop switches feature a positive opening mechanism with minimal contact separation of 3mm in accordance with EN60947-5-1. Safety lock mechanism prevents misuse or tampering. Innovative two-piece snap together construction reduces installation time and shorter panel depth requirements. Use for Emergency Stop switching on equipment, conveyors and augers, construction equipment and vehicles. Red cap standard. **Contacts:** 10A@110VAC or 24VDC

Fig.	Switch Type	Contact	Digi-Key Part No.	Price Each				Omron Part No.	
				1	25	50	100		
Non-Lighted Models									
1	60-dia. Head Push-lock Turn-reset	SPST-NC	Z1502-ND	285.18	264.08	246.47	228.87	A22E-L-01	
2	60-dia. Head Push-pull	SPST-NC	Z1503-ND	339.56	314.38	293.43	272.47	A22E-LP-01	
3	40-dia. Head Push-lock Turn-reset	SPST-NC	Z1504-ND	260.28	241.00	224.93	208.87	A22E-M-01	
4	40-dia. Head Push-lock Key-reset	SPST-NC SPST-NO/SPST-NC	Z1505-ND Z1560-ND	479.93 405.16	444.38 375.15	414.76 350.14	385.13 325.13	A22E-MK-01 A22E-MK-11	
5	40-dia. Head Push-pull	SPST-NC SPST-NO/SPST-NC	Z1506-ND Z1507-ND	321.46 396.07	297.62 366.77	277.78 342.32	257.93 317.87	A22E-MP-01 A22E-MP-11	
6	30-dia. Head Push-lock Turn-reset	SPST-NC	Z1508-ND	321.46	297.62	277.78	257.93	A22E-S-01	
7	30-dia. Head Push-lock Key-reset	SPST-NC	Z1509-ND	405.16	375.15	350.14	325.13	A22E-SK-01	
Lighted Models									
Fig.	Switch Type	Contact	Illumination Voltage	Digi-Key Part No.	Price Each				Omron Part No.
				1	25	50	100		
8	40-dia. Head Push-lock Turn-reset	SPST-NC	24 VAC/DC (LED)	Z1510-ND	423.26	391.92	365.79	339.67	A22EL-M-24A-01
	40-dia. Head Push-lock Turn-reset with Trans.	SPST-NC	110 VAC (LED)	Z1511-ND	493.45	456.92	426.46	396.00	A22EL-M-T1-01

Key Type Selector Switches

Key Selector switches for secured switching or resetting. Available in either momentary or Alternate Action. (IP65 oil and dust tight construction.) Comes complete with 2 keys. **Contact:** 10A@110VAC or 24VDC

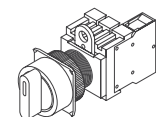
Type	Number of Positions	Contacts	Key Positions			Key Removable Position	Digi-Key Part No.	Price Each				Omron Part No.
			Pos. 1	Pos. 2	Pos. 3			1	25	50	100	
Key Type Selector Switch	2	SPST-NO	On	Mom	—	1	Z1530-ND	196.89	182.31	170.16	158.00	A22K-2AL-10
			On	Off	—	1 & 2	Z1531-ND	196.89	182.31	170.16	158.00	A22K-2M-10
			On	Off	—	1	Z1532-ND	196.89	182.31	170.16	158.00	A22K-2ML-10
	3	SPST-NO + SPST-NC	Mom	Off	Mom	2	Z1533-ND	269.37	249.38	232.76	216.13	A22K-3AC-11
			On	On	Off	1 & 3	Z1534-ND	269.37	249.38	232.76	216.13	A22K-3M-11
			On	On	Off	2	Z1535-ND	269.37	249.38	232.76	216.13	A22K-3MC-11
			On	On	Off	1	Z1536-ND	269.37	249.38	232.76	216.13	A22K-3ML-11
Replacement Key for Key Type Selector Switches							Z1669-ND	38.90	36.02	33.62	31.22	A22KK



Knob Type Selector Switches



Large easy to switch knob selector switches for On-Off and selection for control of industrial controls. Snap acting type switch feedback ensures confident operator feedback during switching, even while wearing gloves. Available in either non-illuminated or LED illuminated versions. (IP65 oil and dust tight construction.) **Contacts:** 10A@110VAC or 24VDC



Switch Type	Position	Switch Function	Contacts	Illumination Voltage	Lens Color	Digi-Key Part No.	Price Each				Omron Part No.
							1	25	50	100	
Non-Illuminated											
Knob-type Selector Switch	2 Position	Spring Return (Momentary)	SPST-NO	—	Black	Z1512-ND	131.29	121.54	113.44	105.34	A22S-2A-10
	2 Position	Maintained (On-Off)	SPST-NO	—	Black	Z1513-ND	129.48	119.86	111.87	103.88	A22S-2M-10
	3 Position	Spring Return (Momentary)	SPST-NO + SPST-NC	—	Black	Z1574-ND	168.47	155.96	145.56	135.16	A22-3A-11
	3 Position	Maintained (On-Off)	SPST-NO + SPST-NC	—	Black	Z1575-ND	168.47	155.96	145.56	135.16	A22-3M-11
Illuminated											
Knob-type Selector Switch	2 Position	Spring Return (Momentary)	SPST-NO	24 VAC/DC	Blue	Z1514-ND	391.65	362.62	338.44	314.27	A22W-2AA-24A-10
					Green	Z1515-ND	233.09	215.85	201.46	187.07	A22W-2AG-24A-10
					Red	Z1516-ND	233.09	215.85	201.46	187.07	A22W-2AR-24A-10
					Yellow	Z1517-ND	233.09	215.85	201.46	187.07	A22W-2AY-24A-10
	2 Position	Maintained (On-Off)	SPST-NO	24 VAC/DC	Blue	Z1518-ND	391.65	362.62	338.44	314.27	A22W-2MA-24A-10
					Green	Z1519-ND	233.09	215.85	201.46	187.07	A22W-2MG-24A-10
					Red	Z1520-ND	233.09	215.85	201.46	187.07	A22W-2MR-24A-10
					Yellow	Z1521-ND	233.09	215.85	201.46	187.07	A22W-2MY-24A-10

All prices are in Hong Kong Dollar.