

Anti-Vandal Pushbutton, Single Pole



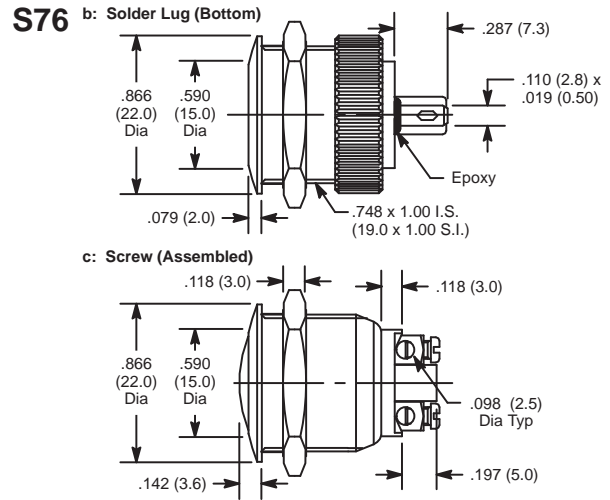
Features

- .748" (19mm) bushing diameter



NTE Type No.	Circuitry	Action		Actuator	Diag No.
54-377	SPST-NO	OFF	(ON)	Stainless Steel, Flat	S76b
54-378	SPST-NO	OFF	(ON)	Stainless Steel, Curved	S76c

SPECIAL NOTE: () = Momentary Function



Specifications

Contact Rating: 2A 48VDC max. (resistive load)
Initial Contact Resistance: 10 Milliohms (max.) at 1A, 2V
Insulation Resistance: 100 Megohms (min.) at 500VDC
Dielectric Strength: 2000V RMS (min.)
Temperature Rating: -4° to +131°F (-20° to +55°C)
Electrical Life: 10,000 cycles min. at full load
Mechanical Life: 1,000,000 cycles min.
Terminal Type: Refer to Diag No. in Table
Mounting Hole: .756 (19.2)

Anti-Vandal Pushbutton, Single Pole



Features

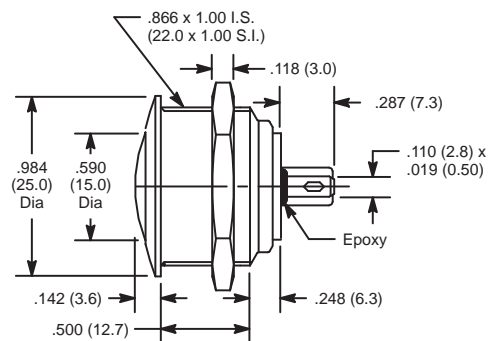
- .866" (22mm) bushing diameter



NTE Type No.	Circuitry	Action		Actuator	Diag No.
54-379	SPST-NO	OFF	(ON)	Stainless Steel, Curved	S77b

SPECIAL NOTE: () = Momentary Function

S77 b: Solder Lug (Bottom)



Specifications

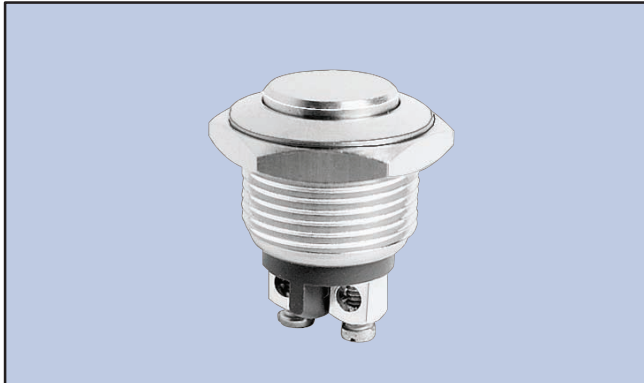
Contact Rating: 2A 48VDC max. (resistive load)
Initial Contact Resistance: 10 Milliohms (max.) at 1A, 2V
Insulation Resistance: 100 Megohms (min.) at 500VDC
Dielectric Strength: 2000V RMS (min.)
Temperature Rating: -4° to +131°F (-20° to +55°C)
Electrical Life: 10,000 cycles min. at full load
Mechanical Life: 1,000,000 cycles min.
Terminal Type: Solder Lug/Quick-Connect
Mounting Hole: .756 (19.2)

Security Pushbutton, Single Pole



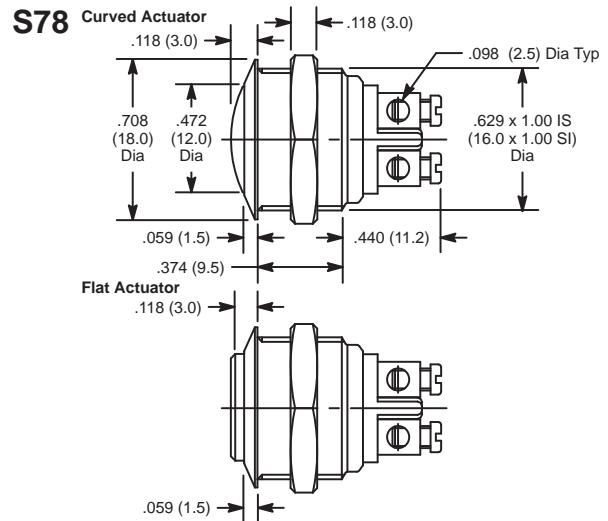
Features

- .629" (16mm) bushing diameter



NTE Type No.	Circuitry	Action		Actuator	Diag No.
54-460	SPST-NO	OFF	(ON)	Stainless Steel, Curved	S78
54-474	SPST-NO	OFF	(ON)	Nickel Plated Brass, Flat	S78

SPECIAL NOTE: () = Momentary Function



Specifications

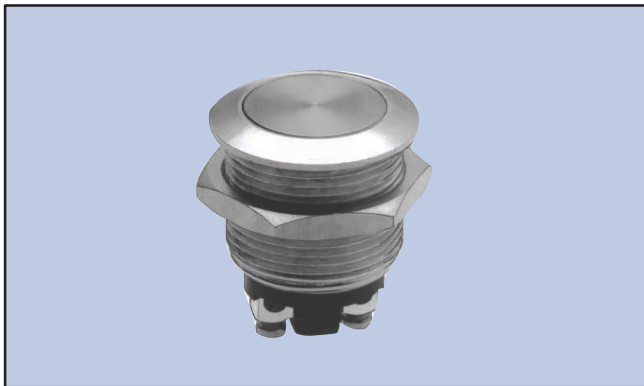
Contact Rating: 100-400mA 48VDC max. (resistive load)
Initial Contact Resistance: 50 Milliohms (max.)
Insulation Resistance: 1000 Megohms (min.) at 500VDC
Dielectric Strength: 2000V RMS (min.)
Temperature Rating: -4° to +131°F (-20° to +55°C)
Electrical Life: 50,000 cycles min. at 200mA 48VDC
Mechanical Life: 1,000,000 cycles min.
Terminal Type: Screw Type
Mounting Hole: .638 (16.2)

Security Pushbutton, Single Pole



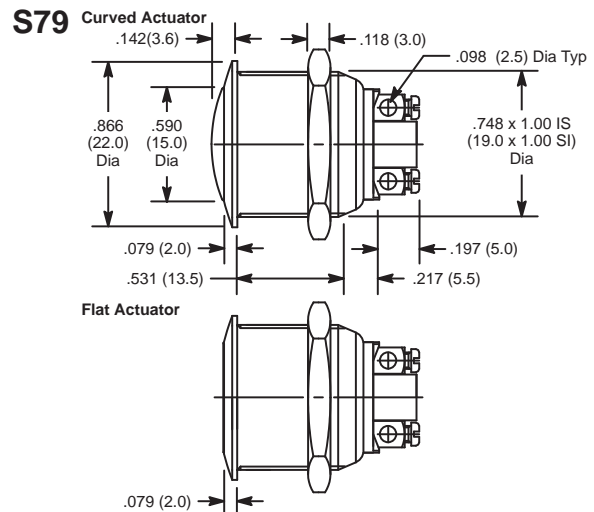
Features

- .748" (19mm) bushing diameter



NTE Type No.	Circuitry	Action		Actuator	Diag No.
54-375	SPST-NO	OFF	(ON)	Nickel Plated Brass, Flat	S79
54-376	SPST-NO	OFF	(ON)	Nickel Plated Brass, Curved	S79

SPECIAL NOTE: () = Momentary Function



Specifications

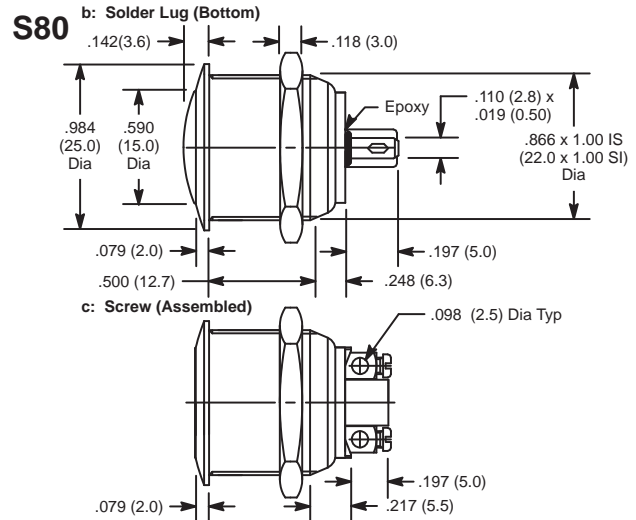
Contact Rating: 2A 48VDC max. (resistive load)
Initial Contact Resistance: 10 Milliohms (max.) at 1A, 2V
Insulation Resistance: 1000 Megohms (min.) at 500VDC
Dielectric Strength: 2000V RMS (min.)
Temperature Rating: -4° to +131°F (-20° to +55°C)
Electrical Life: 10,000 cycles min. full load
Mechanical Life: 1,000,000 cycles min.
Terminal Type: Screw Type
Mounting Hole: .756 (19.2)

Security Pushbutton, Single Pole



Features

- .866" (22mm) bushing diameter



Specifications

Contact Rating: 2A 48VDC max. (resistive load)
Initial Contact Resistance: 10 Milliohms (max.) at 1A, 2V
Insulation Resistance: 1000 Megohms (min.) at 500VDC
Dielectric Strength: 2000V RMS (min.)
Temperature Rating: -4° to +131°F (-20° to +55°C)
Electrical Life: 10,000 cycles min. full load
Mechanical Life: 1,000,000 cycles min.
Terminal Type: Refer to Diag No. in Table
Mounting Hole: .874 (22.2)

NTE Type No.	Circuitry	Action		Actuator	Diag No.
54-461	SPST-NO	OFF	(ON)	Nickel Plated Brass, Curved	S80c
54-462	SPST-NO	OFF	(ON)	Nickel Plated Brass, Curved	S80b
54-463	SPST-NO	OFF	(ON)	Nickel Plated Brass, Flat	S80c

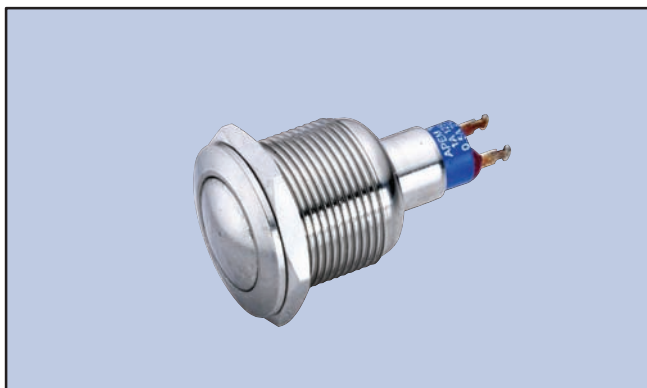
SPECIAL NOTE: () = Momentary Function

Security Pushbutton, Single Pole

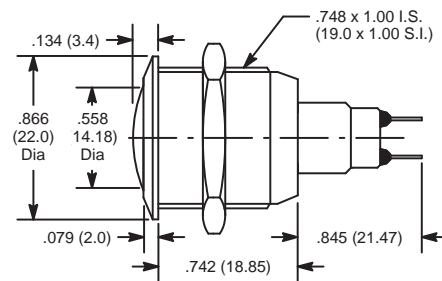


Features

- .748" (19mm) bushing diameter



S81



Specifications

Contact Rating: 3A 120VAC or 28VDC, 1.5A 250VAC (1)
 1A 120VAC or 28VDC, 0.5A 250VAC (2)
 (max. resistive load)

Initial Contact Resistance: 10 Milliohms (max.) at 3V, 0.1A
Insulation Resistance: 10,000 Megohms (min.)
Dielectric Strength: 1000V RMS (min.)
Temperature Rating: -22° to +185°F (-30° to +85°C)
Electrical Life: 10,000⁽¹⁾/250,000⁽²⁾ cycles min. full load
Mechanical Life: 1,00,000 cycles (min.)
Terminal Type: Solder Lug
Mounting Hole: .756 (19.2)

NTE Type No.	Circuitry	Action		Actuator	Diag No.
54-465	SPST-NO	ON*	OFF*	Nickel Plated Brass, Curved	S81

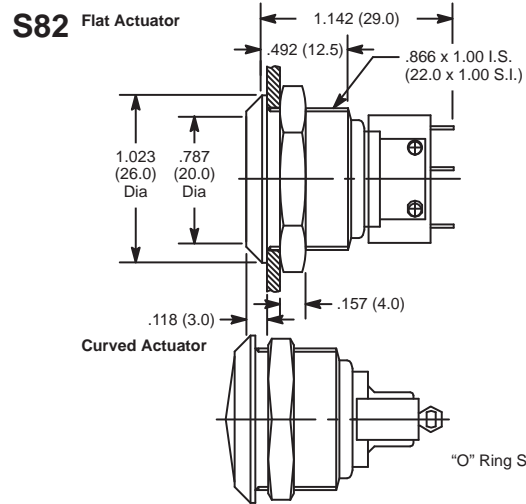
SPECIAL NOTE: () = Momentary Function
 * = Alternate Action (Push ON/Push OFF)

Security Pushbutton, Single Pole



Features

- .866" (22mm) bushing diameter
- Large Actuator



Specifications

Contact Rating: 5A 250VAC max.
Initial Contact Resistance: 100 Milliohms (max.)
Insulation Resistance: 1000 Megohms (min.) at 500VDC
Dielectric Strength: 2000V RMS (min.)
Temperature Rating: -4° to +131°F (-20° to +55°C)
Electrical Life: 1,000,000 cycles (min.) at 1A 250VAC or 100,00 cycles at full load
Mechanical Life: 3,000,000 cycles min.
Terminal Type: Solder Lug
Mounting Hole: .874 (22.2)

NTE Type No.	Circuitry	Action		Actuator	Diag No.
54-466	SPST-NO/NC	ON	(OFF)	Stainless Steel, Flat	S82
54-468	SPST-NO/NC	ON	(OFF)	Stainless Steel, Curved	S82

SPECIAL NOTE: () = Momentary Function

Security Pushbutton, Single Pole

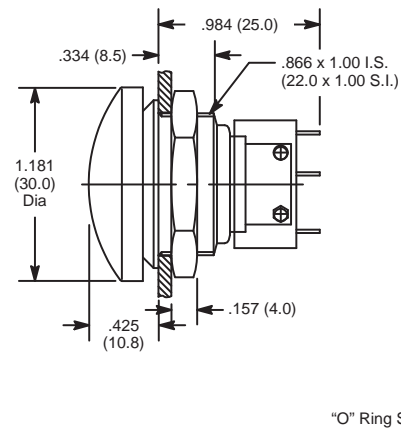


Features

- .866" (22mm) bushing diameter
- Mushroom Head Actuator



S83



Specifications

Contact Rating: 5A 250VAC max.
Initial Contact Resistance: 100 Milliohms (max.)
Insulation Resistance: 1000 Megohms (min.) at 500VDC
Dielectric Strength: 2000V RMS (min.)
Temperature Rating: -4° to +131°F (-20° to +55°C)
Electrical Life: 1,000,000 cycles (min.) at 1A 250VAC or 100,00 cycles at full load
Mechanical Life: 1,000,000 cycles min.
Terminal Type: Solder lug
Mounting Hole: .874 (22.2)

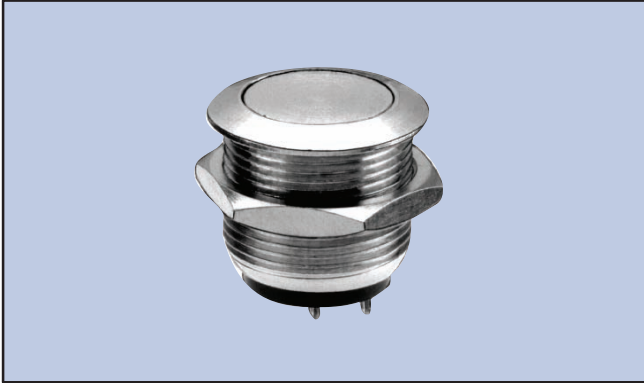
NTE Type No.	Circuitry	Action		Actuator	Diag No.
54-470	SPST-NO/NC	ON	(OFF)	Nickel Plated Brass, Black	S83

SPECIAL NOTE: () = Momentary Function

Snap Action Security Pushbutton, Single Pole

Features

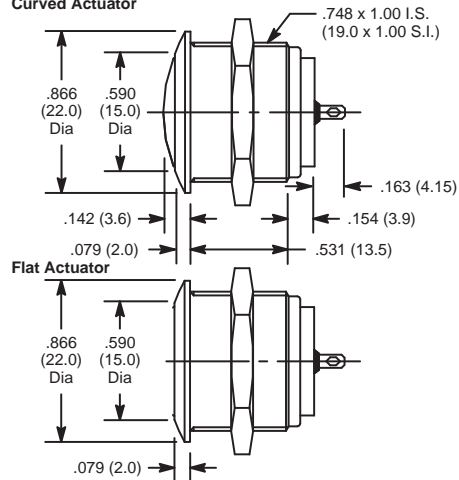
- .748" (19mm) bushing diameter



NTE Type No.	Circuitry	Action	Actuator	Diag No.
54-472	SPST-NO	OFF (ON)	Nickel Plated Brass, Curved	S85
54-473	SPST-NO	OFF (ON)	Nickel Plated Brass, Flat	S85

SPECIAL NOTE: () = Momentary Function

S85 Curved Actuator



Specifications

Contact Rating: 50mA 24VDC max. (Resistive Load)
Initial Contact Resistance: 100 Milliohms (max.)
Insulation Resistance: 1000 Megohms (min.) at 500VDC
Dielectric Strength: 500V RMS (min.)
Temperature Rating: -22° to +158°F (-30° to +70°C)
Electrical Life: 1,000,000 cycles at full load
Mechanical Life: 100,000 cycles at 300mA 24V
Operating Force: 7 N ±2 N
Terminal Type: Solder lug
Mounting Hole: .756 (19.2)

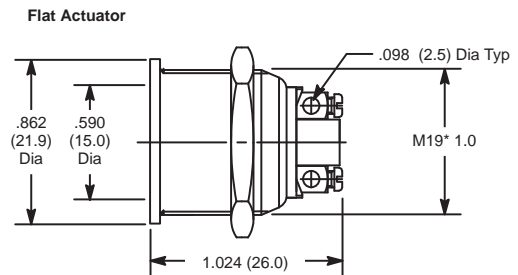
Economy Anti Vandal Pushbutton, Single Pole

Features

- .748" (19mm) bushing diameter



S124



Specifications

Contact Rating: 5A 48VDC max.
Initial Contact Resistance: 50 Milliohms (max.) initial
Insulation Resistance: 100 Megohms (min.)
Dielectric Strength: 2000VAC for 1 minute
Temperature Rating: -4° to +158°F (-20° to +70°C)
Operating Life: 200,000 cycles
Terminal Type: Screw Type
Mounting Hole: .756 (19.2)

NTE Type No.	Circuitry	Action	Actuator	Diag No.
54-375E	SPST-NO	OFF (ON)	Stainless Steel, Flat	S124

NEW

SPECIAL NOTE: () = Momentary Function