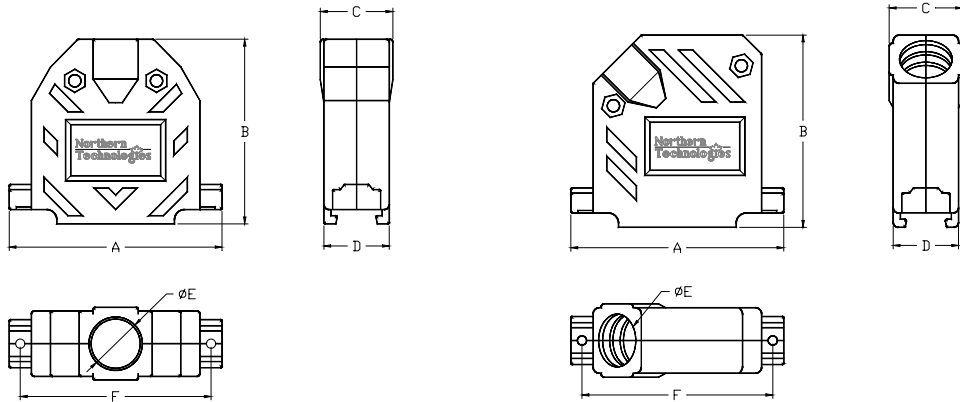
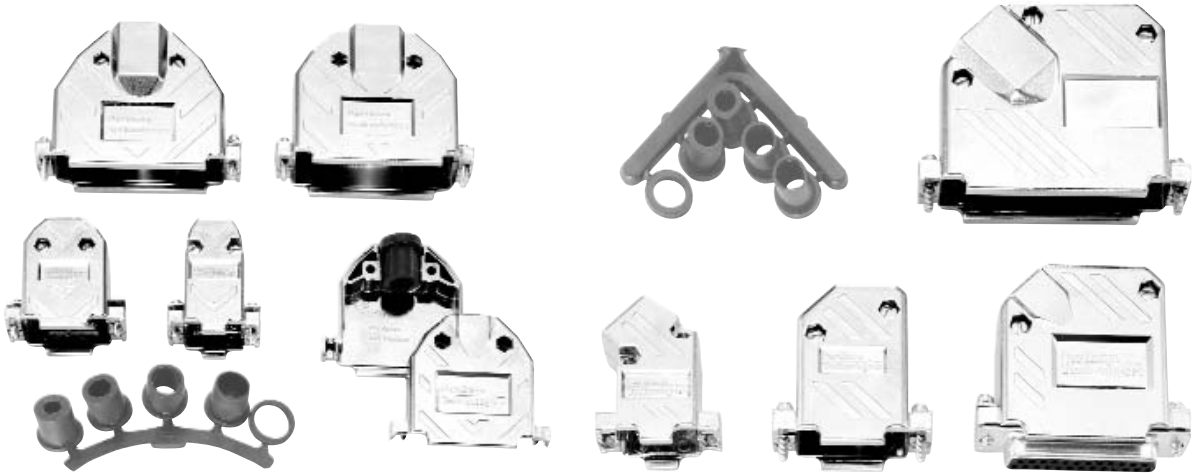


METALIZED PLASTIC COVERS CMP SERIES

CONSULT FACTORY
REGARDING RoHS & ELV
COMPLIANCE



METALIZED PLASTIC - CMP SERIES - STRAIGHT EXIT - DIMENSIONS									
Size	PART NUMBERS		INCHES [MM]						
	NorTech Logo	No Logo	A	B	C	D	E	F	
9 Position	PKG	C88301000	C88300000	1.217	1.692	0.640	0.640	0.400	0.984
	BULK	A30301000	A30300000	[28.62]	[42.98]	[16.25]	[16.25]	[10.10]	[25.00]
15 Position	PKG	C88311000	C88310000	1.544	1.650	0.640	0.640	0.400	1.312
	BULK	A30311000	A30310000	[39.24]	[41.91]	[16.25]	[16.25]	[10.10]	[33.32]
25 Position	PKG	C88321000	C88320000	2.090	1.800	0.710	0.640	0.522	1.857
	BULK	A30321000	A30320000	[53.08]	[45.72]	[18.03]	[16.25]	[13.26]	[47.17]
37 Position	PKG	C88331000	C88330000	2.734	1.975	0.906	0.640	0.726	2.500
	BULK	A30331000	A30330000	[69.44]	[50.17]	[23.01]	[16.25]	[18.44]	[63.50]
50 Position	PKG	C88341000	C88340000	2.645	2.000	0.940	0.770	0.726	2.406
	BULK	A30341000	A30340000	[67.18]	[50.80]	[23.87]	[19.56]	[18.44]	[61.11]

METALIZED PLASTIC - CMP SERIES - 45° EXIT - DIMENSIONS									
Size	PART NUMBERS		INCHES [MM]						
	NorTech Logo	No Logo	A	B	C	D	E	F	
9 Position	PKG	C88201000	C88200000	1.217	1.575	0.640	0.640	0.400	0.984
	BULK	A30201000	A30200000	[28.62]	[40.00]	[16.25]	[16.25]	[10.10]	[25.00]
15 Position	PKG	C88211000	C88210000	1.544	1.713	0.640	0.640	0.400	1.312
	BULK	A30211000	A30210000	[39.24]	[43.51]	[16.25]	[16.25]	[10.10]	[33.32]
25 Position	PKG	C88221000	C88220000	2.090	1.880	0.710	0.640	0.522	1.857
	BULK	A30221000	A30220000	[53.08]	[47.75]	[18.03]	[16.25]	[13.26]	[47.17]
37 Position	PKG	C88231000	C88230000	2.734	2.121	0.906	0.640	0.726	2.500
	BULK	A30231000	A30230000	[69.44]	[53.87]	[23.01]	[16.25]	[18.44]	[63.50]