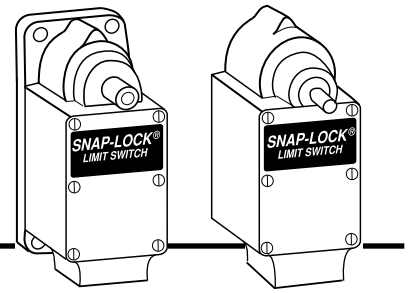


Single Pole
Standard Environment

Limit Switches

Butt Contacts



Limit Switches

EA080

Single pole, double throw, heavy duty limit switch having mechanical travel of 10° to trip and with one normally open and one normally closed circuit. Can be furnished with wide and long mountings.

EA060

With mechanical travel of 6-1/2° required to trip, this heavy duty limit switch operates

with one normally open and one normally closed circuit. Can be furnished with wide and long mountings.

EA040

Designed for applications where a neutral position is essential in operation. This series provides the same snap locking action of the other series of Snap-Lock switches.

EA700

The versatility of the Snap-Lock mechanism is gained through the use of a series of uniquely designed cams. The cam and cam mechanism allow features such as bi-directional operation and generous overtravel. These features make the EA700 Series one of the most popular. Can be furnished with standard, wide or long mounting.

EA060 & EA080 Single Pole 1 N.O. - 1 N.C. / EA040 2 N.O. / Butt Contacts / Standard Travel / Rocker Type

Standard Mounting Model No.	Wide Mounting Model No.	Long Mounting Model No.	Dir. Of Operation	Angle A Trip Travel	Angle B Reset Travel	Angle C Recom. Travel	Angle D Total Travel	Angle E Min. Travel to Maintain	Angle F Overall Travel	Torque (inch lbs)	Contact Config.	Data Drawing
NEUTRAL POSITION												
-	EA040-21100	EA040-11100	CW/CCW	7°	6°	7°30'	33°	-	-	22	C	1
SHORT TRAVEL												
-	EA060-21100	EA060-11100	CW	6°30'	4°	7°	35°	-	-	24	A	1
-	EA060-22100	EA060-12100	CCW	6°30'	4°	7°	35°	-	-	24	B	1
-	EA060-23100	EA060-13100	Maintained	6°30'	4°	7°	35°	-	-	12	-	1
STANDARD TRAVEL												
-	EA080-21100	EA080-11100	CW	10°	8°	13°	38°	-	-	14	A	1
-	EA080-22100	EA080-12100	CCW	10°	8°	13°	38°	-	-	14	B	1
-	EA080-23100	EA080-13100	Maintained	10°	8°	13°	38°	-	-	5	-	1

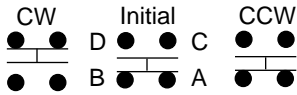
EA700 Single Pole 1 N.O. - 1 N.C. / Butt Contacts / Cam Action

Standard Mounting Model No.	Wide Mounting Model No.	Long Mounting Model No.	Dir. Of Operation	Angle A Trip Travel	Angle B Reset Travel	Angle C Recom. Travel	Angle D Total Travel	Angle E Min. Travel to Maintain	Angle F Overall Travel	Torque (inch lbs)	Contact Config.	Data Drawing
STANDARD TRAVEL												
EA700-10000	EA700-40000	EA700-70000	CW	18°	14°	30°	90°	-	-	15	A	1
EA700-10001	EA700-40001	EA700-70001	CCW	18°	14°	30°	90°	-	-	15	D	1
EA700-10100	EA700-40100	EA700-70100	CW/CCW	18°	14°	30°	90°	-	-	15	E	1
MAINTAIN CONTACT AND LEVER POSITION												
EA700-16000	EA700-46000	EA700-76000	CW	55°	22°	60°	116°	55°	64°	6	J	2
			CCW	25°	25°	60°	124°	54°	56°	9		
MAINTAIN CONTACTS AND SPRING RETURN LEVER POSITION												
EA700-16700	EA700-46700	EA700-76700	CW	30°	26°	45°	90°	30°	-	12	J	3
			CCW	16°	30°	45°	90°	26°	-	13.5		
NEUTRAL POSITION - ALL CONTACTS OPEN												
EA700-15000	EA700-45000	EA700-75000	CW	11°	9°	45°	90°	-	-	18	F	1
			CCW	35°	13°	45°	90°	-	-	13.5		
NEUTRAL POSITION - ALL CONTACTS CLOSED												
EA700-15100	EA700-45100	EA700-75100	CW	11°	9°	45°	90°	-	-	18	G	1
			CCW	35°	13°	45°	90°	-	-	13.5		
NEUTRAL POSITION - ALL CONTACTS OPEN												
EA700-15700	EA700-45700	EA700-75700	CW	31°	22°	45°	90°	-	-	15	H	1
			CCW	31°	12°	45°	90°	-	-	19.5		
NEUTRAL POSITION - ALL CONTACTS CLOSED												
EA700-15800	EA700-45800	EA700-75800	CW	31°	22°	45°	90°	-	-	15	I	1
			CCW	31°	12°	45°	90°	-	-	19.5		

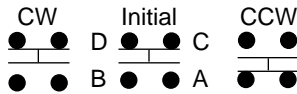
See Operating Levers Section

Contact Configurations

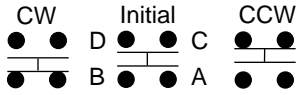
CIRCUIT A



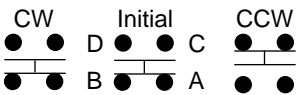
CIRCUIT B



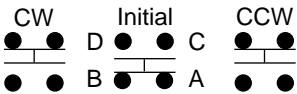
CIRCUIT C



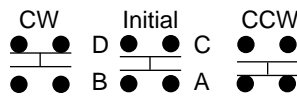
CIRCUIT D



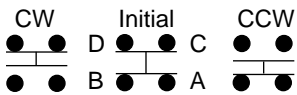
CIRCUIT E



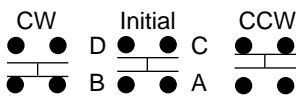
CIRCUIT F



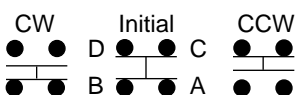
CIRCUIT G



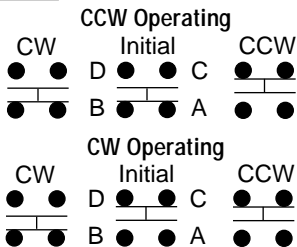
CIRCUIT H



CIRCUIT I

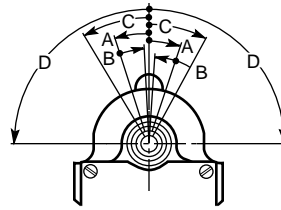


CIRCUIT J

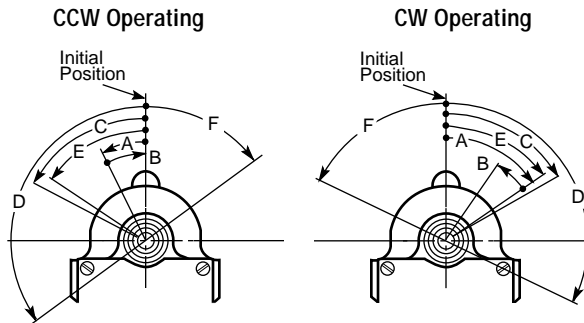


Operational Data Drawings

DRAWING #1

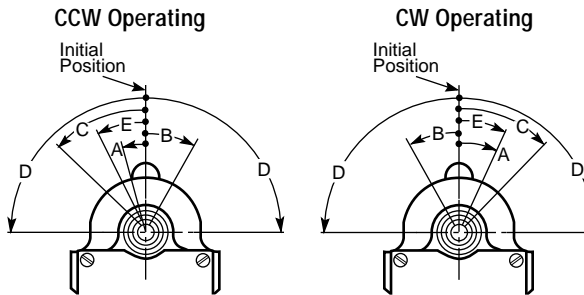


DRAWING #2



To change switch operation from CW operating to CCW operating, operate switch through angle E. Remove lever and reset at initial position.

DRAWING #3



To change switch operation from CW operating to CCW operating, operate switch through angle E.



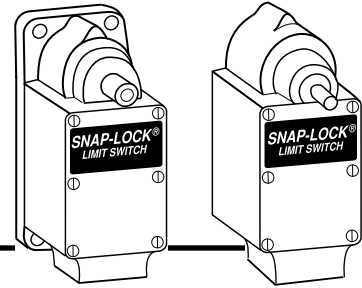
2013 West Meeting Street • Lancaster, SC 29720
 1-803-286-8491 • FAX: 1-800-678-6263
www.namcocontrols.com

For technical assistance, call 1-800-NAMTECH

Single Pole
Standard Environment

Limit Switches

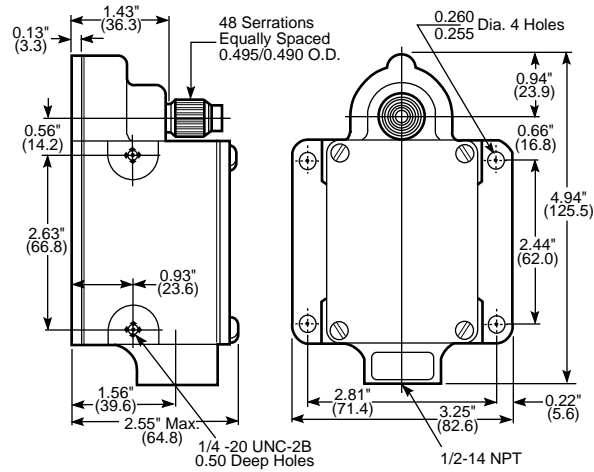
Butt Contacts



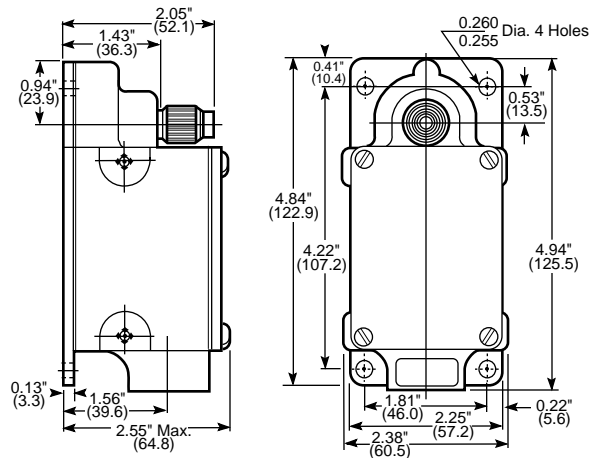
Limit Switches

EA040/060/080 Series Drawings

WIDE MOUNTING PLATE

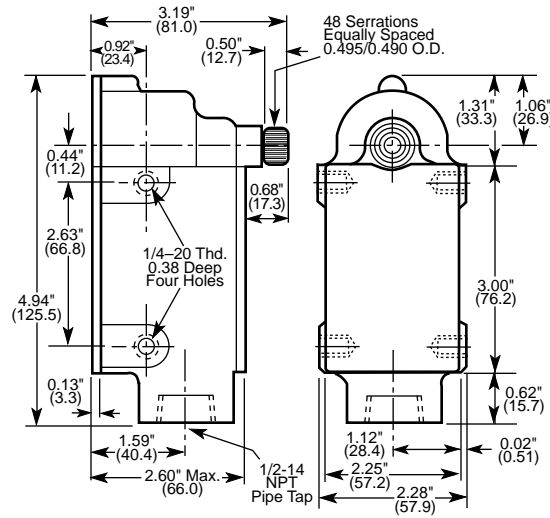


LONG MOUNTING PLATE

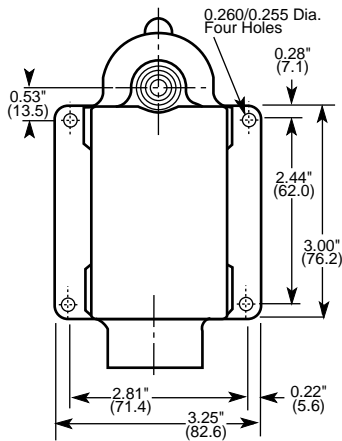


Dimensions: inches/(mm)

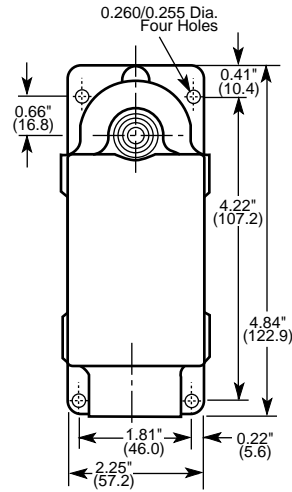
STANDARD MOUNTING PLATE



WIDE MOUNTING PLATE



LONG MOUNTING PLATE



Dimensions: inches/(mm)

Limit Switches

Common Switch Characteristics

	SINGLE POLE, STANDARD ENVIRONMENT, BUTT CONTACTS	
	EA040, 060, 080	EA700
NEMA Enclosure Type	1, 4, 13	
Housing Material	Zinc	
Ambient Temperature Range*	-20°C to +90°C	
Shipping Weight	2.3 lbs. approx.	3 lbs. approx.
Lever Adjustment	7°30' Increments thru 167°	7°30' Increments thru 360°
Contacts	Butt, Silver Alloy, Form Z	

*Some high temperature (+20°C to 180°C) and low temperature (-40°C to +90°C) versions available. Contact factory.

Continuous Current Rating - Amperes

VOLTAGE	AC	DC
125	20.0	5.0
250	15.0	1.5
480	10.0	-
600	5.0	-

75-100% Power Factor



2013 West Meeting Street • Lancaster, SC 29720
 1-803-286-8491 • FAX: 1-800-678-6263
 www.namcocontrols.com

For technical assistance, call 1-800-NAMTECH