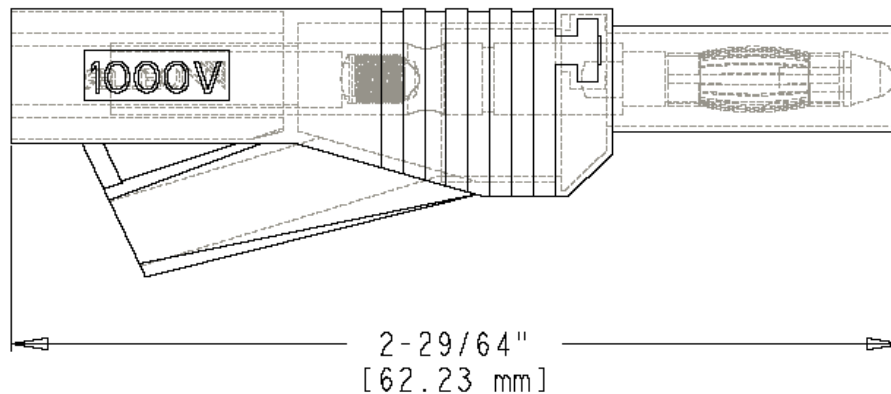
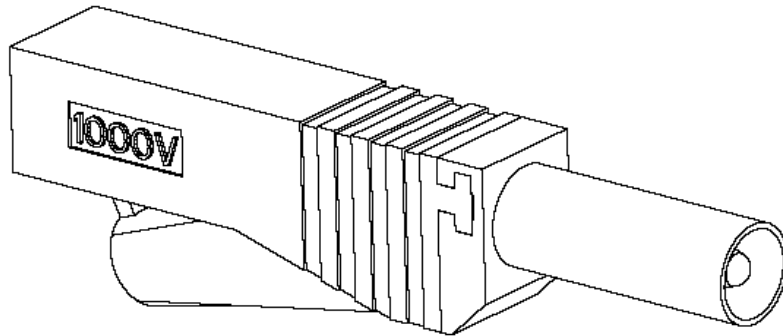




**Part Number:** BU-31101-\*

**Description:** Insulated Stackable Banana Plug

3107



- Insulated Stackable Banana Plug
- Material: Banana Plug: nickled-plated brass body ; Spring: nicke - plated beryllium copper; Insulator: nylon
- Length: 2.45" (62.23 mm)
- \*Std.Colors: -0 Black, -2 Red
- Rating: 20 Amps
- RoHS Compliant