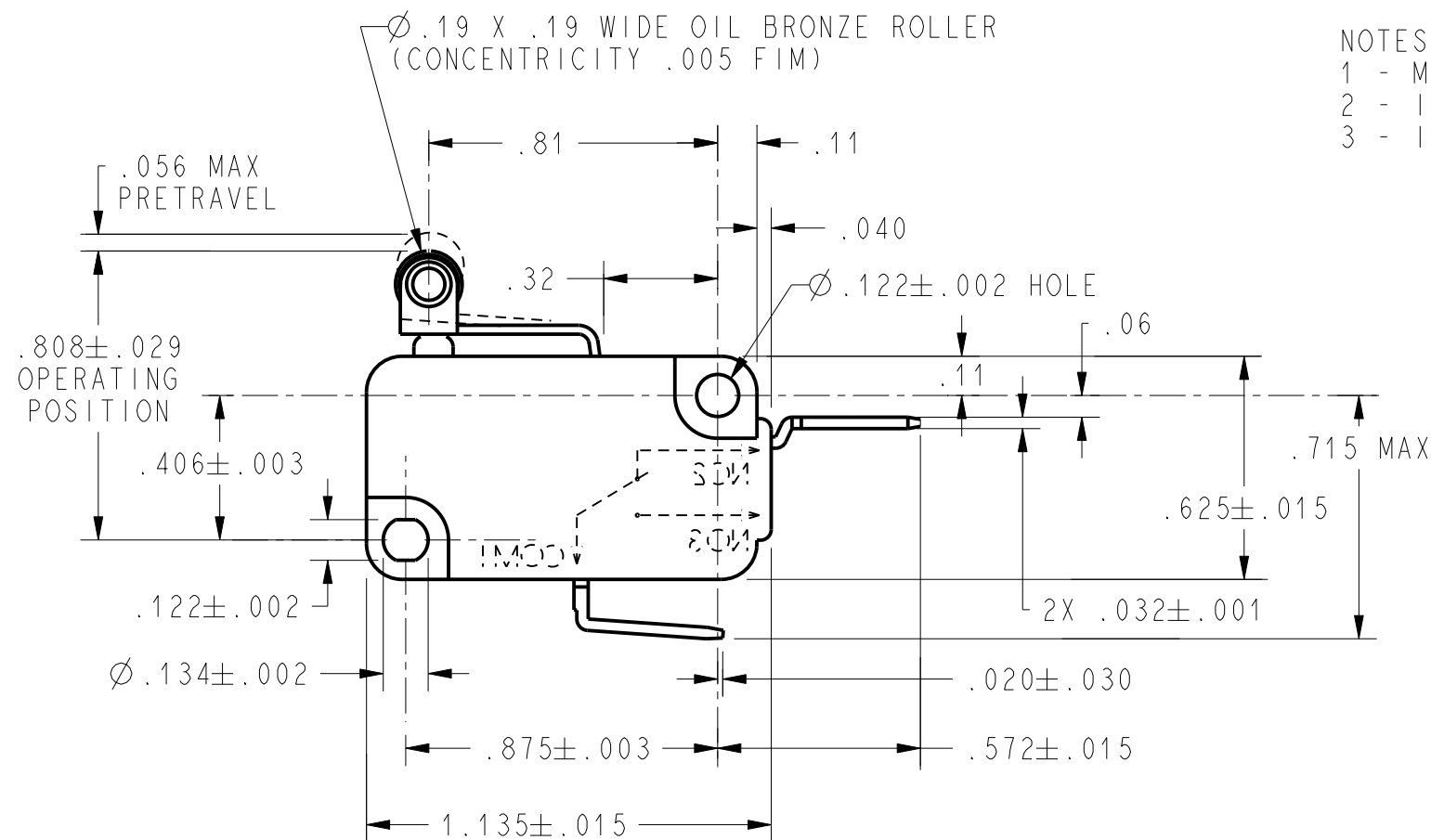
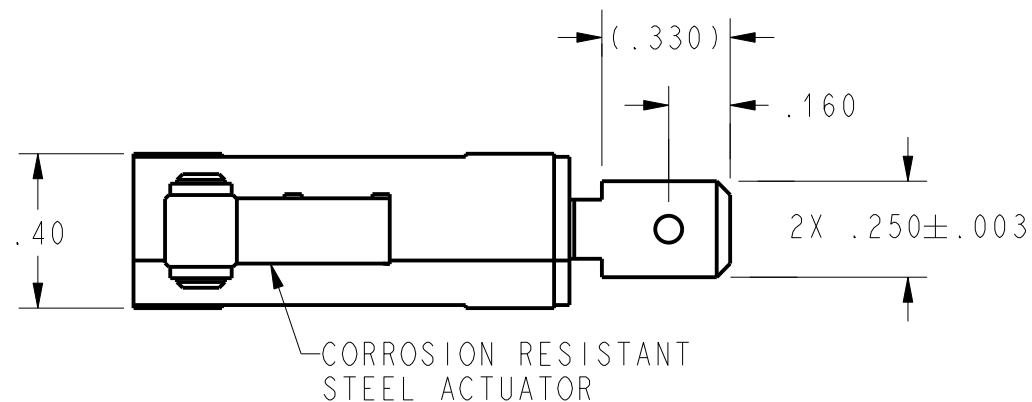


REV	DOCUMENT	CHANGED BY	CHECK
4	0001443	CSL 10SEP03	SAV



- NOTES
- 1 - METRIC MOUNTING HOLES
 - 2 - IN INSPECTION, DO NOT BURN OUT - GOLD CONTACTS
 - 3 - IN INSPECTION, DO NOT EXCEED 10 VDC, .1A RESISTIVE LOAD

CHARACTERISTICS	
OPERATING FORCE-----	176 GRAMS MAX
RELEASE FORCE -----	19 GRAMS MIN
DIFFERENTIAL TRAVEL-----	.013 MAX
OVERTRAVEL -----	.034 MIN
RELEASE TRAVEL -----	.007 MIN

ELECTRICAL DATA	
CONTACT ARRANGEMENT S P N C	
L142	
0.1A 125 VAC	

UNLESS OTHERWISE SPECIFIED TOLERANCES ARE:			
	<input checked="" type="checkbox"/> US (inch) CUSTOMARY	<input type="checkbox"/> SI (mm) METRIC	
NO PLACE	X	±.040	±1
ONE PLACE	.X	±.030	±0,4
TWO PLACE	.XX	±.015	±0,15
THREE PLACE	.XXX	±.005	±
ANGLES		±	±
RAW MATERIAL-COMMERCIAL STANDARD			
THIRD ANGLE PROJECTION			

DRAWN	TSM	13FEB03
CHECK	SAV	13FEB03
THIS DRAWING COVERS A PROPRIETARY ITEM AND IS THE PROPERTY OF HONEYWELL. THIS DRAWING IS NOT TO BE COPIED OR USED WITHOUT THE PERMISSION OF HONEYWELL.		
DIMENSIONS ARE TO BE MET BEFORE PROTECTIVE COATINGS ARE APPLIED		
PTC 2D	ASME Y14.5M-1994	

Honeywell			
TITLE SWITCH, BASIC			
SIZE	DWG TYPE	DRAWING NAME	REV
B	I	V7-1S38E9-201-1	4
SCALE	NONE	WEIGHT	SHEET 1 OF 1