



MICRO SWITCH

FREERPORT, ILLINOIS, U.S.A.
A DIVISION OF HONEYWELL

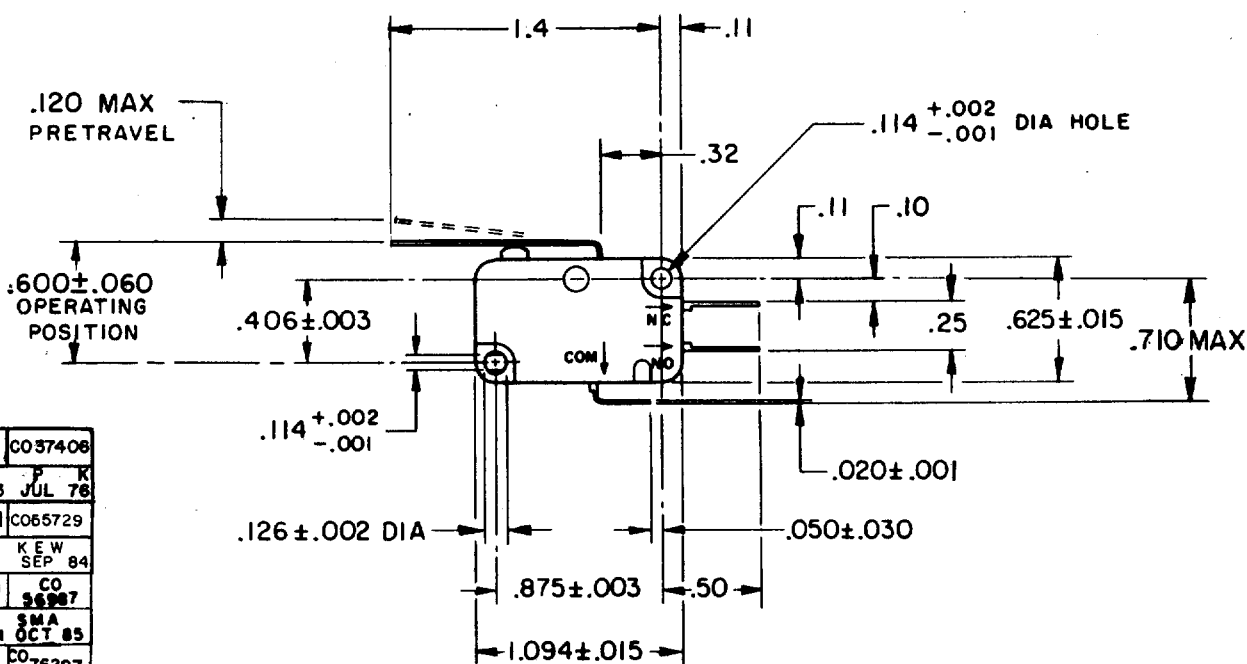
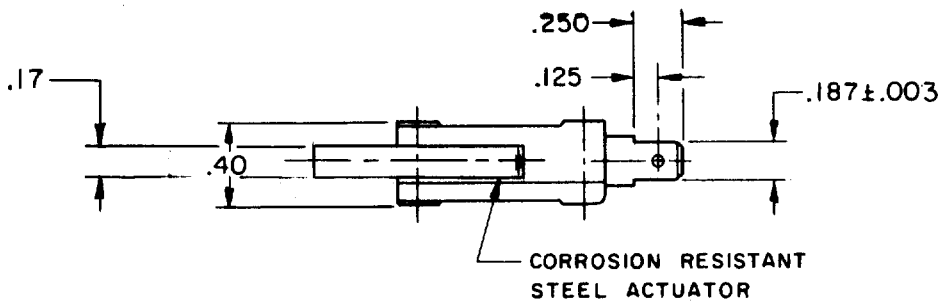
FED. MFG. CODE 91929

SWITCH-BASIC

CATALOG LISTING

V 3 L-3005-D8

CQ-X1410



V 3 L-3005-D8
 M
 DRAWING NUMBER
 X 15
 X 8
 X 8
 ISSUE
 CHECK
 REVISIONS
 A SR 12336
 M B F 27 MAY 66
 B CO 21785
 R E R 8 SEP 66
 C CO 22635
 R E R 21 APR 67
 D CO 23213
 R E R 19 DEC 67
 E CO 24053
 M B F 17 APR 68
 F CO 24699
 M B S 31 JULY 69
 G CO 26661
 S R H 30 DEC 69
 H CO 26861
 M B S 22 JAN 70
 J CO 27363
 M B S 7 MAY 70
 K CO 31198
 J A H 8 NOV 72
 R E R 10 MAY 66
 CHECK
 SR 12336
 CO 37408
 K P K 23 JUL 78
 M CO 5729
 K E W 5 SEP 84
 N CO 5997
 S M A 1 OCT 85
 P CO 76297
 L J F 11 NOV 93
 CO 50378
 DRAWN
 RELEASE NO. SR 12336 REPLACES

A	SR 12336	L	CO 37408
M B F	27 MAY 66	K P K	23 JUL 78
B	CO 21785	M	CO 5729
R E R	8 SEP 66	K E W	5 SEP 84
C	CO 22635	N	CO 5997
R E R	21 APR 67	S M A	1 OCT 85
D	CO 23213	P	CO 76297
R E R	19 DEC 67	L J F	11 NOV 93
E	CO 24053		
M B F	17 APR 68		
F	CO 24699		
M B S	31 JULY 69		
G	CO 26661		
S R H	30 DEC 69		
H	CO 26861		
M B S	22 JAN 70		
J	CO 27363		
M B S	7 MAY 70		
K	CO 31198		

THIS DRAWING COVERS A PROPRIETARY ITEM AND IS THE PROPERTY OF MICRO SWITCH, A DIVISION OF HONEYWELL. THIS DRAWING IS NOT TO BE COPIED OR USED WITHOUT THE APPROVAL OF MICRO SWITCH.

CHARACTERISTICS	ELECTRICAL DATA	SCALE FULL
OPERATING FORCE — — — 88 GRAM MAX	CONTACT ARRANGEMENT S P D T	DO NOT SCALE PRINT
RELEASE FORCE — — — — — 6 GRAM MIN	L83 15.1A 1/2HP 125 OR 250 VAC 1/2A 125 VDC, 1/4A 250 VDC 5A 125 VAC "L" 	UNLESS OTHERWISE NOTED
RELEASE TRAVEL — — — — — .017 MIN		DIMENSIONS ARE IN INCHES
DIFFERENTIAL TRAVEL — — — — .032 MAX		TOLERANCES ARE:
OVERTRAVEL — — — — — .090 MIN		ONE PLACE (.0) ±.030 TWO PLACE (.00) ±.015 THREE PLACE (.000) ±.005 ANGLES ±
		WEIGHT