

# MICRO SWITCH

FREEPORT ILLINOIS, U.S.A  
A DIVISION OF HONEYWELL

FED. MFG. CODE 91929

# SWITCH-BASIC

CATALOG LISTING  
**V3-343-D8**

**CK-D3356**

V3-343-D8  
PAGE 1 OF 1

**M**

DRAWING  
NUMBER

**X 2**

**X 6**

ISSUE

**X 3**

**X 4**

REPLACES

RELEASE NO. PR-2265

CHECK

CHECK

CHECK

CHECK

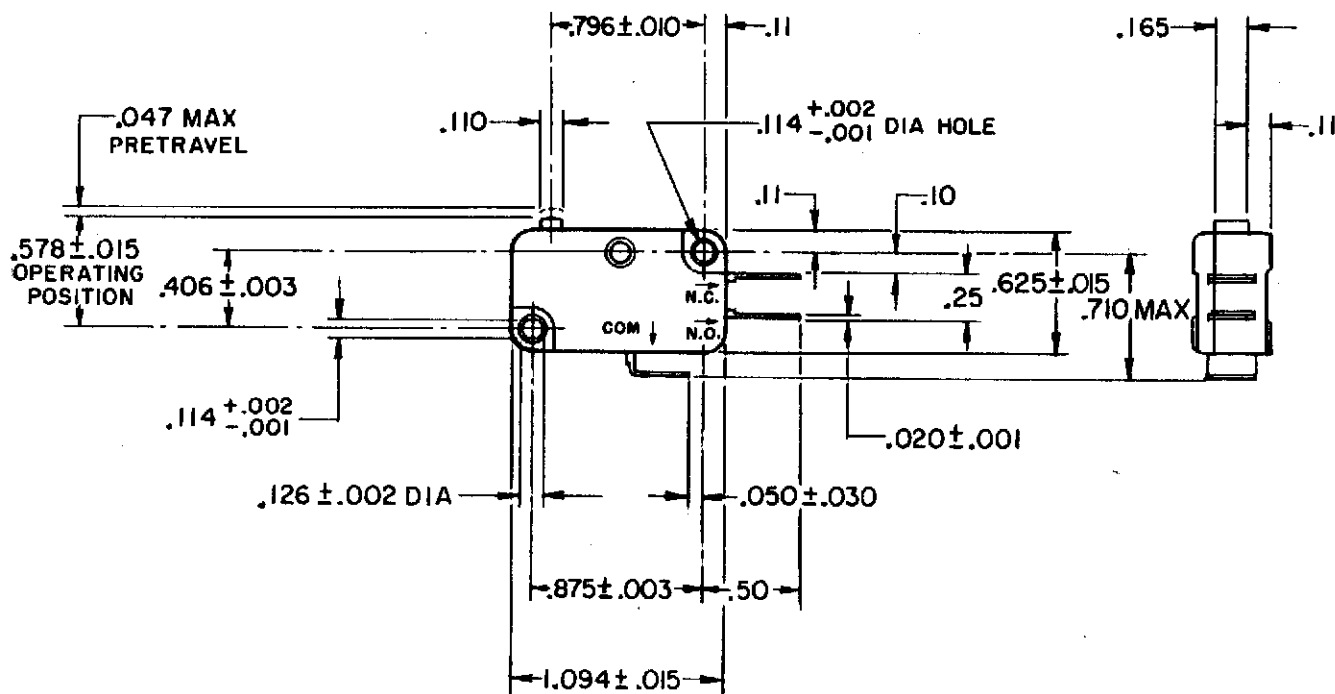
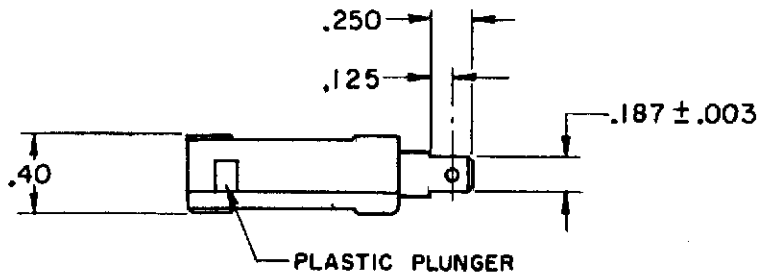
CHECK

CHECK

CHECK

CHECK

CHECK



**NOTES**

- 1 - IN INSPECTION, DO NOT BURN OUT - GOLD CONTACTS
- 2 - IN INSPECTION, DO NOT EXCEED 10 VDC, .1A RESISTIVE LOAD
- 3 - INSPECT PER QC 390 003, CODE G6H 11 - PARAGRAPH A

THIS DRAWING COVERS A PROPRIETARY ITEM AND IS THE PROPERTY OF MICRO SWITCH, A DIVISION OF HONEYWELL. THIS DRAWING IS NOT TO BE COPIED OR USED WITHOUT THE APPROVAL OF MICRO SWITCH.

**CHARACTERISTICS**

OPERATING FORCE----- 8 OZ MAX  
RELEASE TRAVEL ----- .007 MIN  
RELEASE FORCE ----- 2 OZ MIN  
  
DIFFERENTIAL TRAVEL ----- .006 - .016  
OVERTRAVEL ----- .040 MIN  
FREE POSITION ----- .625 MAX

**ELECTRICAL DATA**

CONTACT ARRANGEMENT  
S P D T  
  
-L22-      1A-125 VAC  
  
RJ

**SCALE FULL**

DO NOT SCALE PRINT

UNLESS OTHERWISE NOTED

DIMENSIONS ARE IN INCHES

**TOLERANCES ARE:**

ONE PLACE (.0) ±.030  
TWO PLACE (.00) ±.015  
THREE PLACE (.000) ±.005  
ANGLES ±

WEIGHT

FORMTEK

DRAWN

R C R12 MAY 71

CHECK

CHECK

CHECK

CHECK

CHECK

CHECK

CHECK

CHECK

CHECK

CHECK

CHECK

CHECK

CHECK

CHECK

CHECK

CHECK

CHECK