



MICRO SWITCH
 FREEPORT ILLINOIS U S A
 A DIVISION OF HONEYWELL
 FED MFG CODE 91829

SWITCH - BASIC

CATALOG LISTING
V3-1101-D9
CK-M0170

V3-1101-D9

PAGE 1 OF 1

REPLACES

RELEASE NO. SR 12452

M

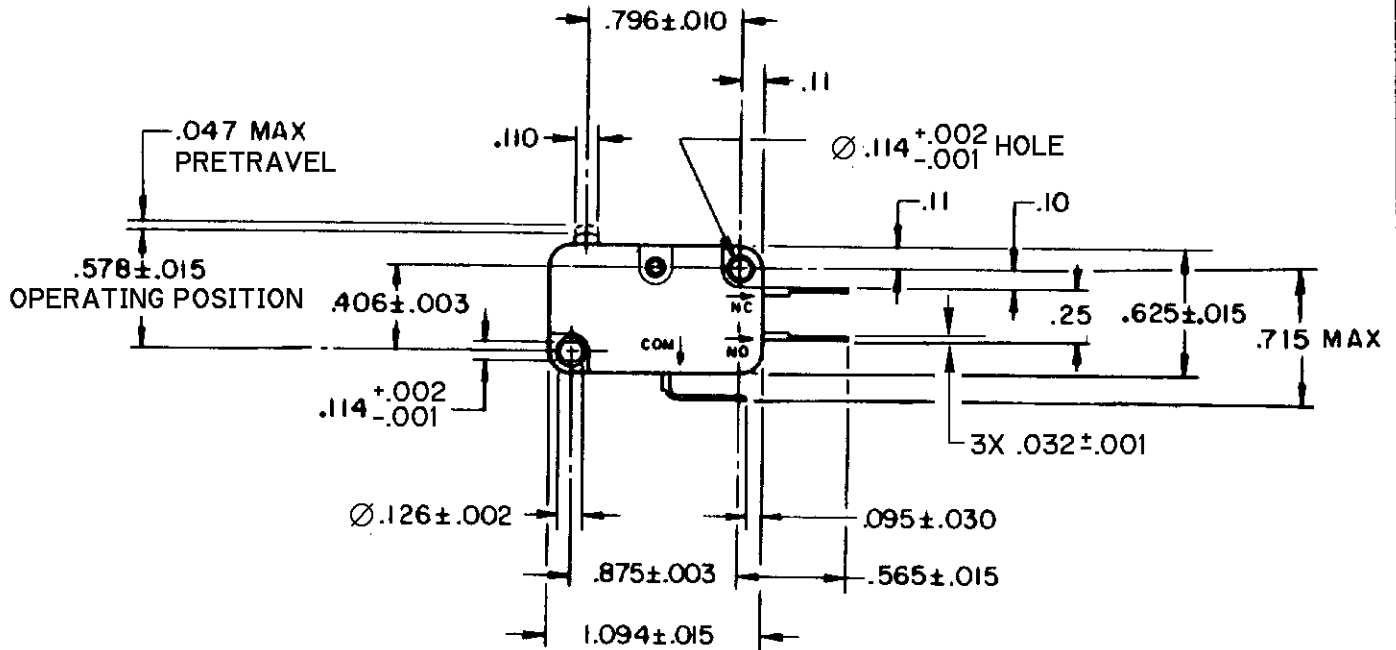
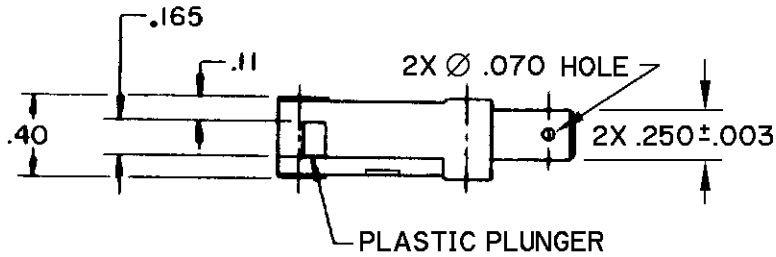
DRAWING NUMBER

ISSUE 11

CHECK

REVISIONS

A	CO 22001	M B F	13 OCT 66	26 SEP 66
B	CO 22787	M B F	20 APR 67	26 SEP 66
C	CO 24699	M B F	23 JULY 68	BRJ
D	CO 32386	C C	14 AUG 73	BRJ
E	CO 54305	G J W	16 JUL 84	BRJ
F	CO 74634	KDR	5 MAY 93	26 SEP 66
G	CO 77796	D C S	9 MAR 84	26 SEP 66
H	CO-66930P	J A K	13 SEP 95	LSD
J	CO 92478	TSM	21 APR 98	66
K	RE-INST PR24306	TSM	1 OCT 99	66



THIS DRAWING COVERS A PROPRIETARY ITEM AND IS THE PROPERTY OF MICRO SWITCH A DIVISION OF HONEYWELL THIS DRAWING IS NOT TO BE COPIED OR USED WITHOUT THE APPROVAL OF MICRO SWITCH

CHARACTERISTICS	
OPERATING FORCE	--- 75 GRAM MAX
RELEASE TRAVEL	----- .010 MIN
RELEASE FORCE	--- 10 GRAM MIN
DIFFERENTIAL TRAVEL	--- .002-.010
OVERTRAVEL	----- .050 MIN
FREE POSITION	----- .625 MAX

ELECTRICAL DATA	
CONTACT ARRANGEMENT S P D T	
L112 10A 1/3HP 125 OR 250 VAC 1/2A 125 VDC, 1/4A 250 VDC 4A 125 VAC "L"	

SCALE FULL	
DO NOT SCALE PRINT	
UNLESS OTHERWISE NOTED	
DIMENSIONS ARE IN INCHES	
TOLERANCES ARE:	
ONE PLACE (0)	± .030
TWO PLACE (.00)	± .015
THREE PLACE (.000)	± .005
ANGLES	
WEIGHT	



FORMTEK

DRAWN

OMW 16 SEP 66