



*Representative photograph,  
actual product appearance  
may vary.*

*Due to regional agency  
approval requirements,  
some products may not be  
available in your area.  
Please contact your  
regional Honeywell office  
regarding your product of  
choice.*

## SDX30G2

**Pressure Sensors: Measurement Type: Gage; 0 psig to 30 psig, Temperature Compensated Sensor, "G2" Package - Straight Port**

### Features

- Low Cost DIP
- Precision Temperature Compensation
- Calibrated Zero & Span
- Small Size
- Low Noise
- High Impedance for Low Power Applications
- Prime Grade Available (SDXxxxxy-A)

### Typical Applications

- Medical Equipment
- Computer Peripherals
- Pneumatic Controls
- HVAC

### Description

The SDX series sensors provide a very cost effective solution for pressure applications that require small size plus performance. These calibrated and temperature compensated sensors give an accurate and stable output over a 0 °C to 50 °C [32 °F to 122 °F] temperature range. This series is intended for use with non-corrosive, non-ionic working fluids such as air, dry gases and the like.

Devices are available to measure absolute and gage pressures from 1 psi (SDX01) up to 100 psi (SDX100). The absolute devices have an internal vacuum reference and an output voltage proportional to absolute pressure.

SDX Sensors are available in standard commercial and prime grades

(SDCxxxx - A) to allow optimization of accuracy and cost in any given application.

The SDX devices feature an integrated circuit (IC) sensor element and laser trimmed thick film ceramic housed in a compact solvent resistant case. The package is a double-wide (i.e. 0.600 inches lead spacing) dual-inline package (DIP). This is the same familiar package used by IC manufacturers except it is only 11,94 mm [0.470 in] long and has a pressure port(s). The pc board area used by each DIP is approximately 0.26 in x 0.26 in. This extremely small size enables the use of multiple sensors in limited available space. The DIP provides excellent corrosion resistance and isolation to external package stress.

The DIP mounts on a pc board like a standard IC with through-hole pins. The pins anchor the pressure sensor to the pc board and provide a more secure and stable unit than other types of packages. The output of the bridge is ratiometric to the supply voltage and operation from any Vdc supply voltage up to 20 Vdc is acceptable.



## SDX30G2

**Pressure Sensors: Measurement Type: Gage; 0 psig to 30 psig, Temperature Compensated Sensor, "G2" Package - Straight Port**

Product Specifications	
Measurement Type	Gage
Signal Conditioning	Unamplified
Pressure Range	0 psig to 30 psig
Maximum Overpressure	60 psi
Supply Voltage	20 Vdc max.
Compensated	Yes
Output Calibration	Yes
Response Time	100 $\mu$ S
Termination	PCB
Port Style	Straight
Package Style	A2/G2 DIP

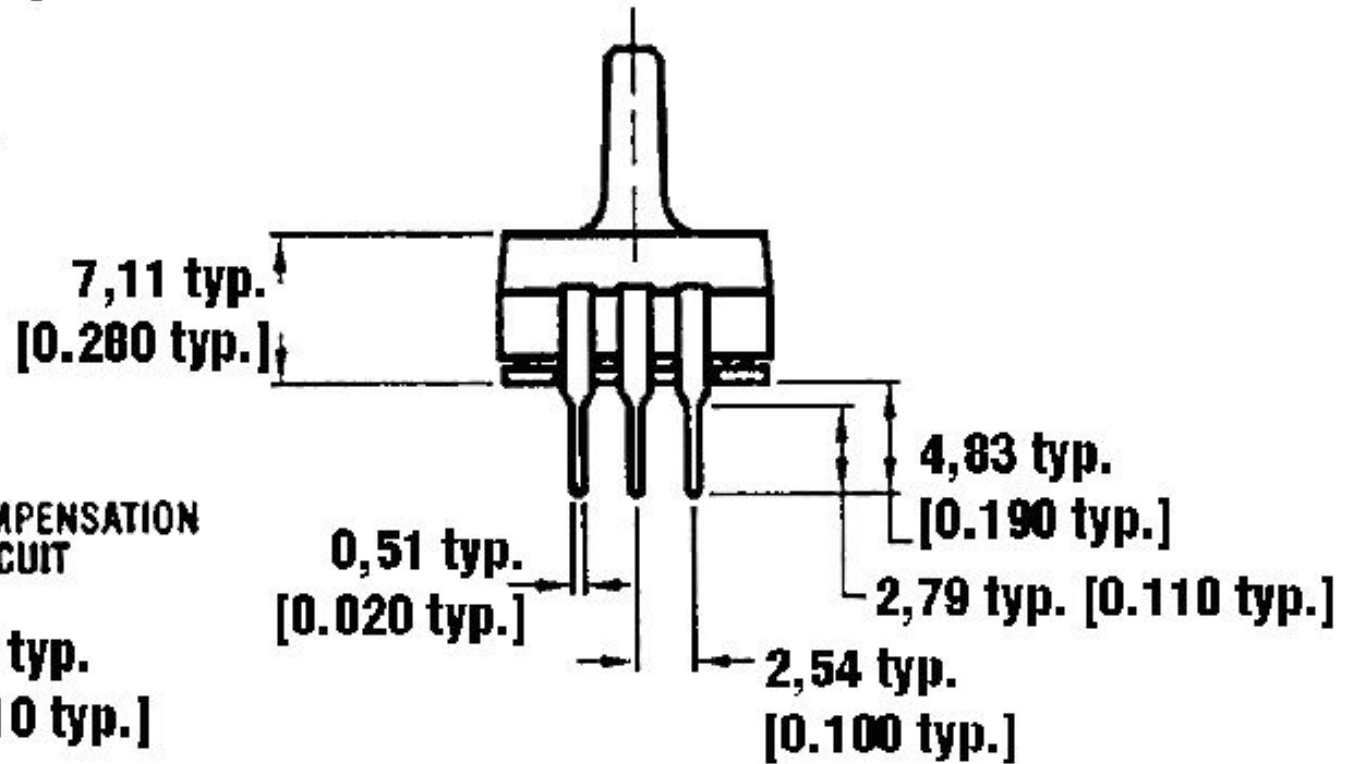
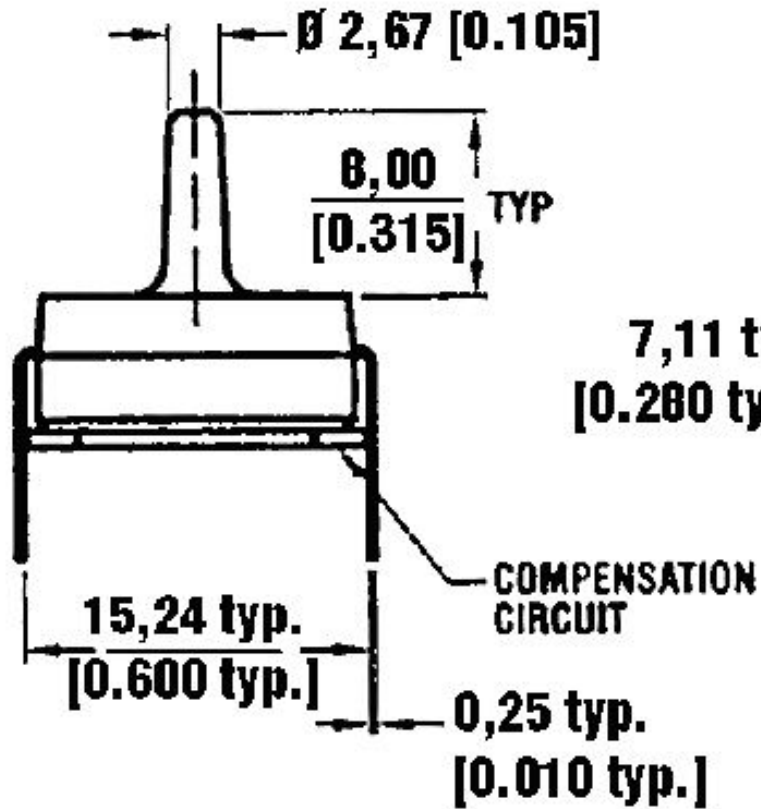
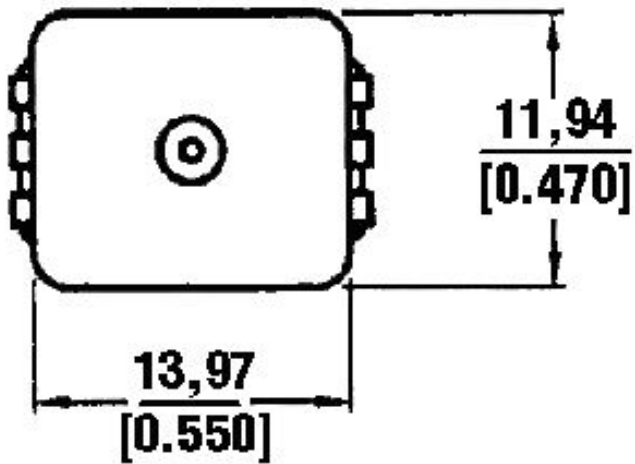
<b>Full Scale Span</b>	86.85 mV min, 90.00 mV typ., 93.15 mV max.
<b>Null Shift over Temperature</b>	± 0.2 % FS span typ., ± 1.0 % FS span max.; 0 °C to 50 °C [32 °F to 122 °F]
<b>Span Shift Over Temperature</b>	± 0.4 % FS span typ., ± 2.0 % FS span max.; 0 °C to 50 °C [32 °F to 122 °F]
<b>Zero Pressure Offset</b>	-1.0 mV min., 0.0 mV typ., 1.0 mV max.
<b>Linearity, Hysteresis Error</b>	± 0.2 typ. ± 1.0 max. %FS
<b>Repeatability</b>	± 0.2 % span typ., ± 0.5 % span max.
<b>Input Resistance</b>	4.0 kOhms typ.
<b>Output Resistance</b>	4.0 kOhms typ.
<b>Operating Temperature Range</b>	-40 °C to 85 °C [-40 °F to 185 °F]
<b>Compensated Temperature Range</b>	0 °C to 50 °C [32 °F to 122 °F]
<b>Storage Temperature Range</b>	-55 °C to 125 °C [-67 °F to 257 °F]
<b>Media Compatibility</b>	Clean, dry gases only
<b>UNSPSC Code</b>	411121
<b>UNSPSC Commodity</b>	411121 Transducers
<b>Comment</b>	Lead Temperature Soldering 2 s to 4 s at 250 °C [482 °F]
<b>Availability</b>	Global
<b>Series Name</b>	SDX Series

# Honeywell

## SDX30G2

**Pressure Sensors: Measurement Type: Gage; 0 psig to 30 psig, Temperature Compensated Sensor, "G2" Package - Straight Port**

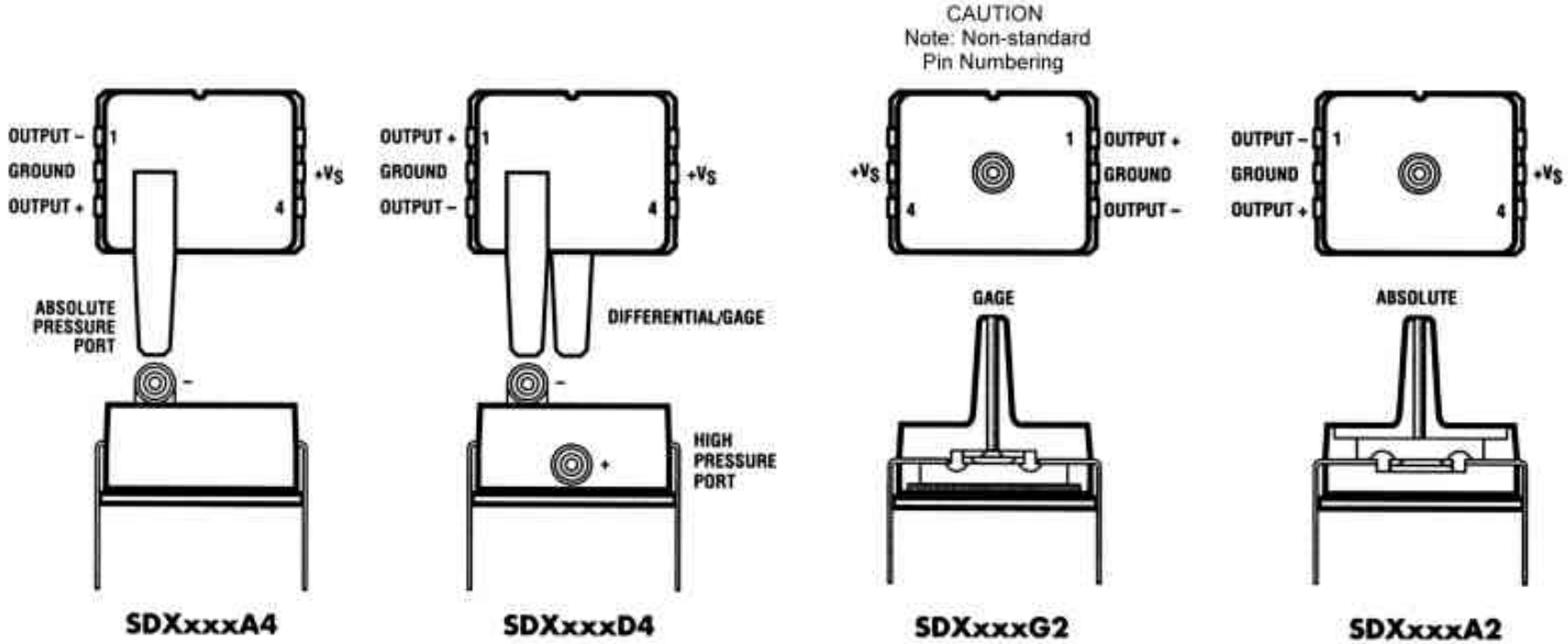
For Reference Only mm [in]



**Honeywell**

# SDX30G2

Pressure Sensors: Measurement Type: Gage; 0 psig to 30 psig, Temperature Compensated Sensor, "G2" Package - Straight Port



**Honeywell**

# SDX30G2

Pressure Sensors: Measurement Type: Gage; 0 psig to 30 psig, Temperature Compensated Sensor, "G2" Package - Straight Port

** WARNING**

**PERSONAL INJURY**

DO NOT USE these products as safety or emergency stop devices, or in any other application where failure of the product could result in personal injury.

**Failure to comply with these instructions could result in death or serious injury.**

** WARNING**

**MISUSE OF DOCUMENTATION**

- The information presented in this product sheet (or catalog) is for reference only. DO NOT USE this document as product installation information.
- Complete installation, operation and maintenance information is provided in the instructions supplied with each product.

**Failure to comply with these instructions could result in death or serious injury.**

© Copyright Honeywell Inc.1998-2004 All rights reserved.