



HONEYWELL

SCC100D

See full Datasheet below...

onlinecomponents.com

THE ONLINE DISTRIBUTOR OF ELECTRONIC COMPONENTS

BUY NOW



MASTERTM
ELECTRONICS

BUY NOW

masterelectronics.com & onlinecomponents.com
are **authorized** e-commerce distributors
of electronic components.

Honeywell



Representative photograph, actual product appearance may vary.

Due to regional agency approval requirements, some products may not be available in your area. Please contact your regional Honeywell office regarding your product of choice.

SCC100D

Pressure Sensors: Measurement Type: Differential, Gage; 0 psid to 100 psid Operating Pressure, Constant Current, "Button" package - No Port

Features

- Low Cost Sensor Element
- Internal Temperature Compensation
- Differential or Gage Pressures

Typical Applications

- Pneumatic Controls
- Automotive Diagnostics
- Medical Equipment
- Dental Equipment
- Environmental Controls

Description

The SCC Series sensors offer an extremely low cost sensor element with a temperature stable output when driven with a constant current source. These integrated circuit sensors were designed for extremely cost sensitive applications where precise accuracy over a wide temperature range is not required. This series is intended for use with non-corrosive, non-ionic working fluids such as air, and dry gases.

Absolute devices have an internal vacuum reference and an output voltage proportional to applied pressure. The differential devices allow application of pressure to either side of the diaphragm and devices are thereby available to measure both differential and gage pressures.

This product is packaged either in standard low cost chip carrier "button" package or a DIP package. Both packages are designed for applications where the sensing element is to be integral to the OEM

equipment. These packages can be o-ring sealed, epoxied, and/or clamped onto a pressure fitting. A closed bridge four pin SIP configuration is provided for electrical connection to the button package. The DIP package offers a 5-pin open bridge configuration.



SCC100D

Pressure Sensors: Measurement Type: Differential, Gage; 0 psid to 100 psid Operating Pressure, Constant Current, "Button" package - No Port

Product Specifications	
Measurement Type	Gage, Differential
Signal Conditioning	Unamplified
Pressure Range	0 psid to 100 psid
Maximum Overpressure	150 psi
Supply Current	1.5 mA max.
Compensated	Yes
Output Calibration	No
Response Time	0.1 ms typ.
Termination	PCB
Port Style	No Port
Package Style	Button
Full Scale Span	140 mV
Zero Pressure Offset	-30.0 mV min., -10.0 mV typ., 20.0 mV max.
Accuracy (% Best Fit Straight Line)	.5 %
Input Resistance	4.0 kOhms min., 5.0 kOhms typ., 6.5 kOhms max.
Output Resistance	4.0 kOhms min., 5.0 kOhms typ., 6.5 kOhms max.
Operating Temperature Range	-40 °C to 85 °C [-40 °F to 185 °F]
Compensated Temperature Range	0 °C to 50 °C [32 °F to 122 °F]
Storage Temperature Range	-55 °C to 125 °C [-67 °F to 257 °F]
Media Compatibility	Clean, dry gases only

UNSPSC Code	411121
UNSPSC Commodity	411121 Transducers
Availability	Global
Series Name	SCC Series

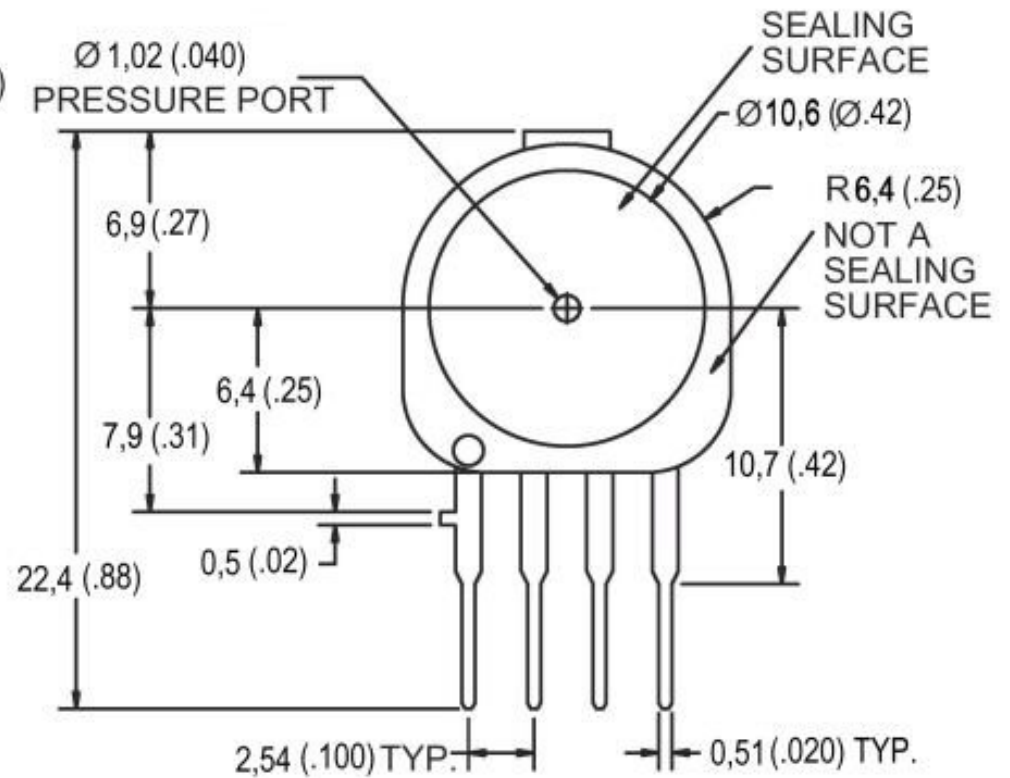
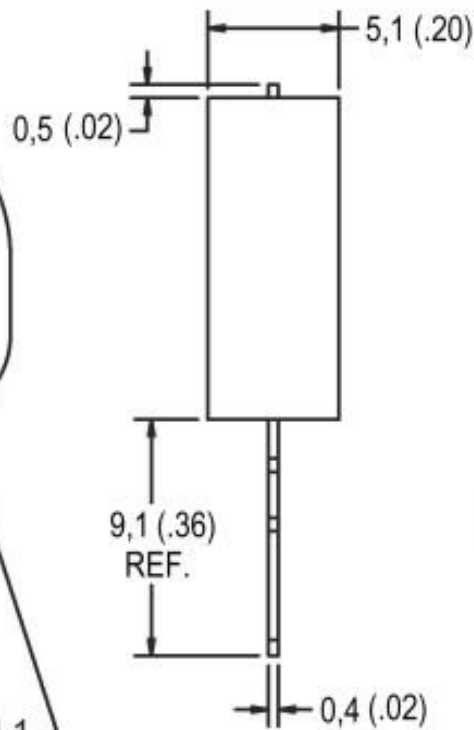
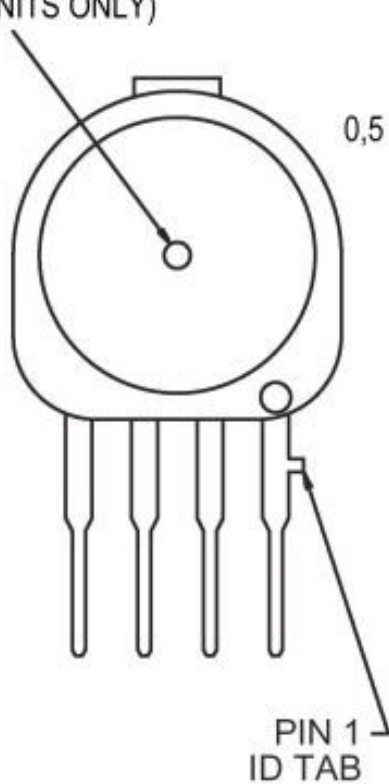
Honeywell

SCC100D

Pressure Sensors: Measurement Type: Differential, Gage; 0 psid to 100 psid Operating Pressure, Constant Current, "Button" package - No Port

For Reference Only mm (in)

VENT HOLE
(GAGE UNITS ONLY)



Honeywell

SCC100D

Pressure Sensors: Measurement Type: Differential, Gage; 0 psid to 100 psid Operating Pressure, Constant Current, "Button" package - No Port

[Electrical Connections]

Honeywell

SCC100D

Pressure Sensors: Measurement Type: Differential, Gage; 0 psid to 100 psid Operating Pressure, Constant Current, "Button" package - No Port

[Equivalent circuit]

Honeywell

SCC100D

Pressure Sensors: Measurement Type: Differential, Gage; 0 psid to 100 psid Operating Pressure, Constant Current, "Button" package - No Port

WARNING

PERSONAL INJURY

DO NOT USE these products as safety or emergency stop devices, or in any other application where failure of the product could result in personal injury.

Failure to comply with these instructions could result in death or serious injury.

 WARNING

MISUSE OF DOCUMENTATION

- The information presented in this product sheet (or catalog) is for reference only. DO NOT USE this document as product installation information.
- Complete installation, operation and maintenance information is provided in the instructions supplied with each product.

Failure to comply with these instructions could result in death or serious injury.

© Copyright Honeywell Inc.1998-2004 All rights reserved.