



RV4LAYSА101А

RV4 Series Industrial Potentiometer, Conductive Plastic Element, Solder lug Terminals, 2 W Power Rating, 100 Ohm Resistance Value

Representative photograph, actual product appearance may vary.

Due to regional agency approval requirements, some products may not be available in your area. Please contact your regional Honeywell office regarding your product of choice.

Features

- Robust nickel-plated brass shaft and bushings
- Conductive plastic element
- Linear taper
- 25,000 cycle rotational life
- Meets MIL-PRF-94 standards
- Locking style bushing

Typical Applications

- Manual controls (throttle, joystick)
- Electric vehicles
- Personal mobility
- Off-road vehicles
- Welding and heating
- Telecommunications

Description

The RV4 Series is a military qualified potentiometer made in accordance to MIL-PRF-94 specifications. It offers a 2 watt power rating and a conductive plastic element.



RV4LAYSА101А

RV4 Series Industrial Potentiometer, Conductive Plastic Element, Solder lug Terminals, 2 W Power Rating, 100 Ohm Resistance Value

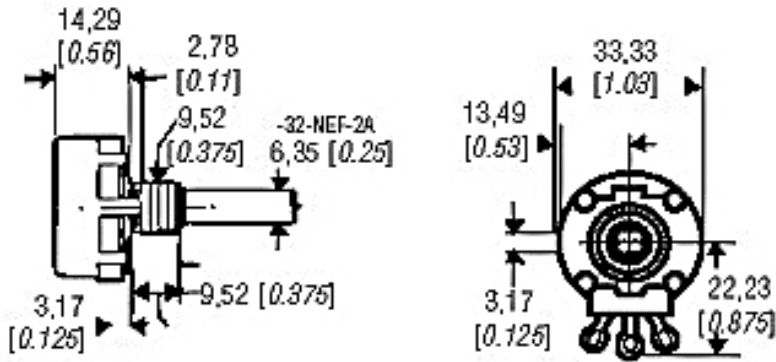
| Product Specifications | |
|------------------------|--|
| Potentiometer Type | Industrial |
| Element Type | Conductive Plastic |
| Terminal Type | Solder lug |
| Power Rating | 2 W |
| Resistance Value | 100 Ohm |
| Resistance Tolerance | ± 10 % |
| Linearity | ± 5 % |
| Bushing Thread | 9,53 mm [0.375 in] x 32 NEF-2A |
| Bushing length | 12,7 mm[0.5 in] |
| Bushing Type | Locking |
| Shaft Diameter | 6,35 mm [0.25 in] |
| Shaft length | 15,88 mm [0.625 in] |
| Shaft Ending | Slotted |
| Body | 27.8 mm [1.094 in] diameter max. except at terminal standoff |
| Electrical Taper | Linear |
| Operating Temperature | -55 °C to 120 °C [-67 °F to 248 °F] |
| Working Voltage (Max.) | 500 V |
| Rotational Life | 25000 cycles |
| Mechanical Rotation | 312° |
| Availability | Global |
| Series Name | RV4 Series |
| UNSPSC Code | 4111363300 |
| UNSPSC Commodity | 4111363300 Potentiometers |

Honeywell

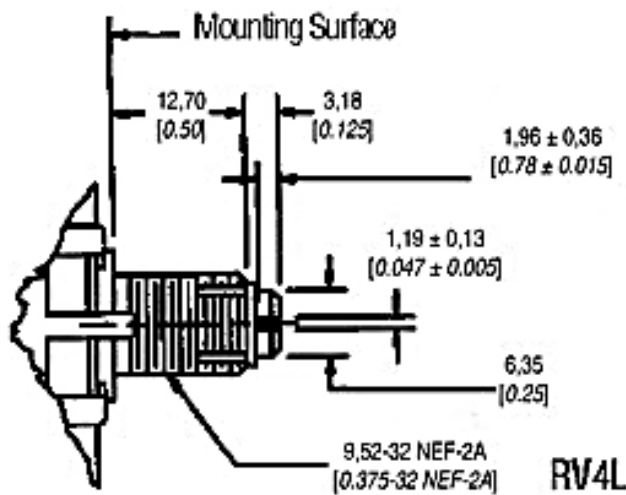
RV4LAYSA101A

RV4 Series Industrial Potentiometer, Conductive Plastic Element, Solder lug Terminals, 2 W Power Rating, 100 Ohm Resistance Value

For Reference Only mm/in



RV4N



RV4L



RV4LAYS101A

RV4 Series Industrial Potentiometer, Conductive Plastic Element, Solder lug Terminals, 2 W Power Rating, 100 Ohm Resistance Value

 WARNING

PERSONAL INJURY

DO NOT USE these products as safety or emergency stop devices, or in any other application where failure of the product could result in personal injury.

Failure to comply with these instructions could result in death or serious injury.

 WARNING

MISUSE OF DOCUMENTATION

- The information presented in this product sheet (or catalog) is for reference only. DO NOT USE this document as product installation information.
- Complete installation, operation and maintenance information is provided in the instructions supplied with each product.

Failure to comply with these instructions could result in death or serious injury.