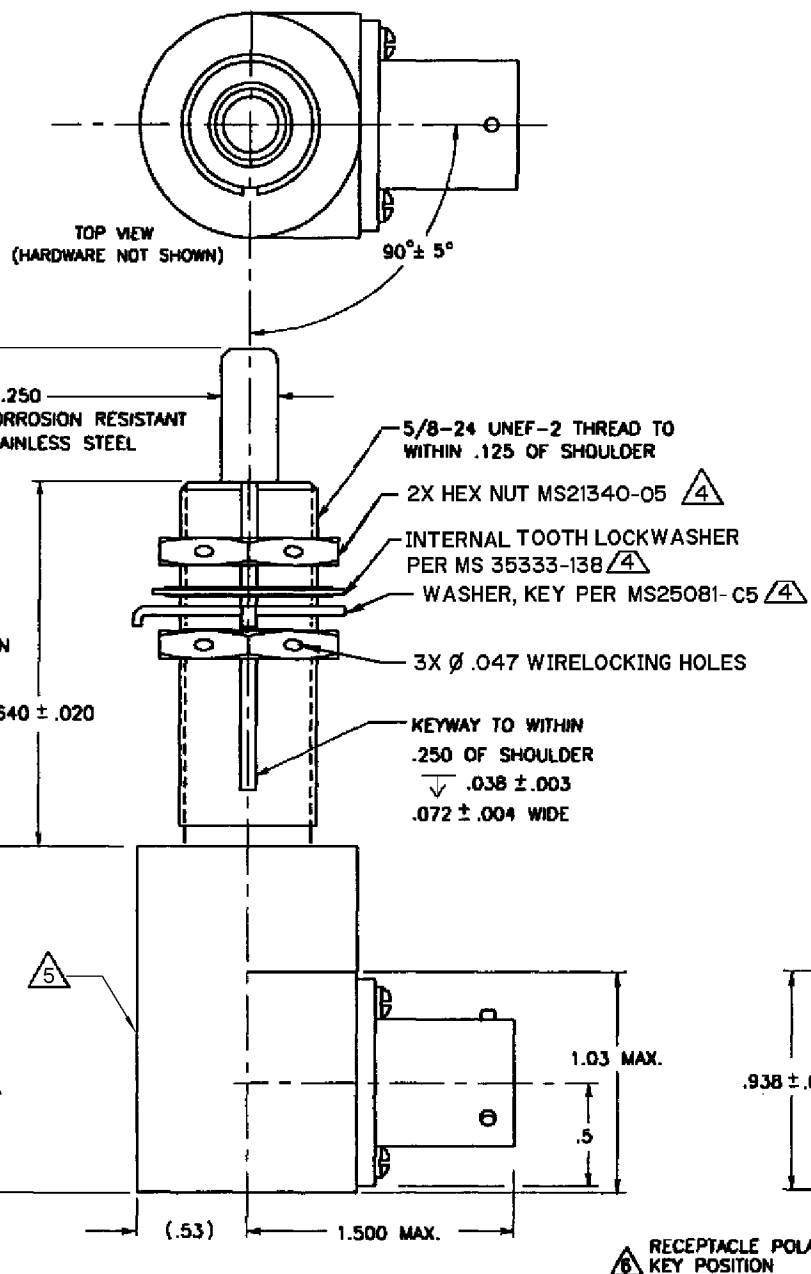
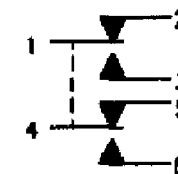


**MICRO SWITCH**  
a Honeywell Division

**SWITCH - ENCLOSED**

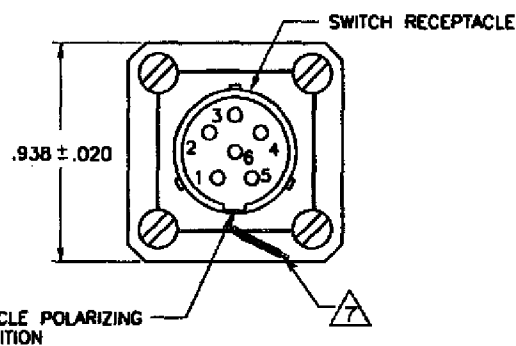
CATALOG LISTING  
**ML-1285**

CIRCUIT DIAGRAM



**NOTES**

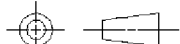
- 1 - COINCIDENCE OF OPERATING AND RELEASING POINTS .010 OF PLUNGER TRAVEL
- 2 - CORROSION RESISTANT STEEL ENCLOSURE AND PLUNGER
- 3 - SWITCH SEALED PER MIL-PRF-8805 SYMBOL 4
- 4 HARDWARE MAY BE PACKAGED UNASSEMBLED PER MIL-PRF-8805
- 5 PRINT CIRCUIT DIAGRAM, CATALOG LISTING AND DATE CODE ON NAMEPLATE
- 6 RECEPTACLE PART NUMBER MS27496E9B35P MATES WITH MS2746719B35S
- 7 LOCK MOUNTING HARDWARE ON RECEPTACLE USING MS20995 SAFETY WIRE 1AW MS33540



ANSI Y14.5M-1982 APPLIES

THIS DRAWING COVERS A PROPRIETARY ITEM AND IS THE PROPERTY OF MICRO SWITCH, A DIVISION OF HONEYWELL. THIS DRAWING IS NOT TO BE COPIED OR USED WITHOUT THE APPROVAL OF MICRO SWITCH

THIRD ANGLE PROJECTION



SCALE NONE

DO NOT SCALE PRINT

UNLESS OTHERWISE SPECIFIED TOLERANCES ARE

ONE PLACE (.0) ±.030  
TWO PLACE (.00) ±.015  
THREE PLACE (.000) ±.005  
ANGLES ± 4°

WEIGHT 7 OZ MAX

**CHARACTERISTICS**

OPERATING FORCE ----- 6-12 LBS  
FULL OVERTRAVEL ----- 30 LBS MAX  
RELEASE FORCE ----- 4 LBS MIN  
PRETRAVEL ----- .040 MAX  
DIFFERENTIAL TRAVEL ----- .020 MAX  
OVERTRAVEL ----- .500 MIN

**ELECTRICAL DATA**

CONTACT ARRANGEMENT 2X SPDT		
28 VDC		
LOAD	SEA LEVEL	50,000 FT
RES	7	4
IND	4	2.5

RASTER  
 DRAWN  
 D L T 27 SEP 99  
 CHECK  
 S A V 27 SEP 99  
 CHECK  
 P S R 28 SEP 07  
 CHECK  
 M  
 ISSUE 4  
 M  
 CATALOG LISTING  
 ML-1285  
 PAGE 1 OF 1  
 RELEASE NO. PR-24165  
 REPLACES

REVISIONS

A	CO 95816	G J W	11 JAN 00
B	0006874	TCC/AP	27 JUL 04
C	0033489	MST	28 SEP 07