



Representative photograph, actual product appearance may vary.

Due to regional agency approval requirements, some products may not be available in your area. Please contact your regional Honeywell office regarding your product of choice.

LF2W06N5KB6A

LongFellow® II Linear Position Transducer, Water Resistant, 152,4 mm [6.0 in] Electrical Travel, Binder Series 681 termination, Item Number 9811201

Features

- ? Vibration damped element - No wiper bounce in high vibration environments
- ? Spring - loaded ball joint on wiper assembly - Smooth, easy operation under high side loads
- ? Extruded wiper carrier guides - Smooth operation under large misalignment
- ? Precious metal wipers - Insures high performance, low noise, no oxidation
- ? MystR® plastic elements - Tested up to one billion operations
- ? High performance bearings - Long life under side load conditions
- ? Shaft seals - Protect internal components from harsh environments
- ? High DC level output - Works with simple controllers
- ? Absolute continuous measurement - Accurate position at power - up

Typical Applications

- ? Injection molding machines
- ? Printing presses
- ? Meat packing equipment
- ? Drill presses
- ? Woodworking machines
- ? Cranes
- ? Front - end loaders
- ? Scales

Description

The LongFellow® II incorporates design innovations to increase transducer life and provide greater resistance to vibration, while providing a smooth high - quality signal for demanding factory control applications. It has a solid stainless steel shaft, longer front - end bearings, a vibration - free damped element, a spring loaded ball joint and a high precision precious metal wiper. Carrier guides extrude the full length of the housing to insure smooth operation even under severe side load conditions.

The newly designed internal components provide improvements based on worldwide testing and field experience.

Intrinsically safe for Class I, II and III Division I, Groups A, B, C, D, E, F and G for hazardous (indoor/outdoor) NEMA 4 locations. V max.=30 V, I max.=100 mA, Ci=0, Li=0mH.

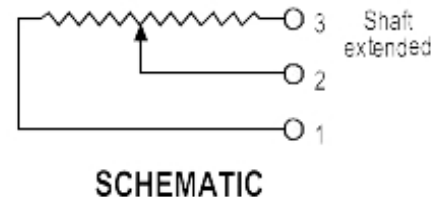
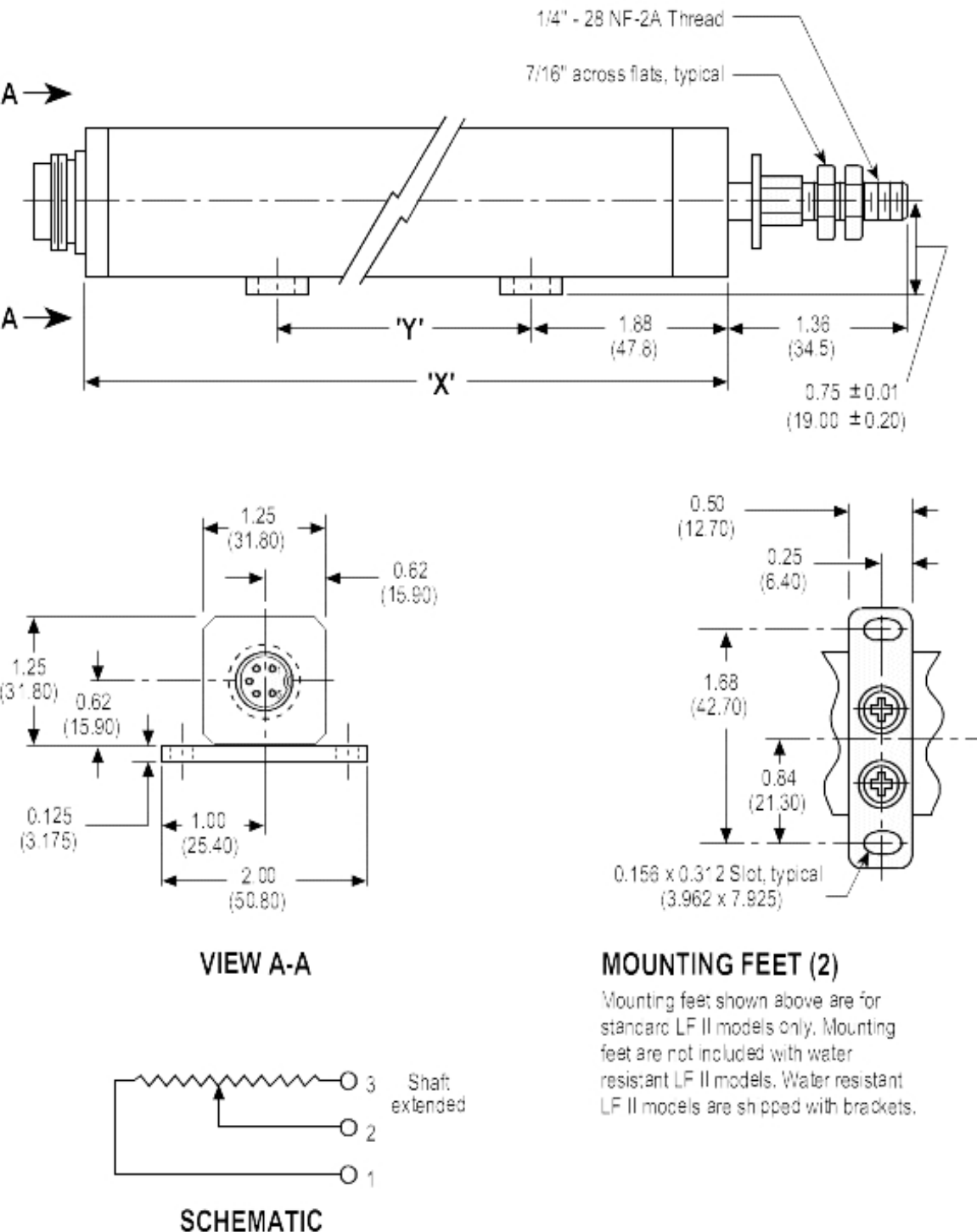
LF2W06N5KB6A

LongFellow® II Linear Position Transducer, Water Resistant, 152,4 mm [6.0 in] Electrical Travel, Binder Series 681 termination, Item Number 9811201

Product Specifications	
Supply Voltage	30 Vdc max.
Measurement Type	Linear
Housing Size	233,4 mm [9.19 in]
Total Mechanical Travel	154,6 mm [6.09 in]
Electrical Travel	152,4 mm [6.0 in]
Starting Force (max.)	2,27 kg [5.0 lb]
Linearity	less than 0.5 %
Backlash	0,025 mm [.001 in]
Bearing Type	Sleeve
Shaft Material	Stainless Steel
Shaft Diameter	1/4 in - 28 NF - 2A thread
Type of Element	MystR® conductive plastic film
Housing Style	Anodized Aluminum
Termination	Binder Series 681
Wiper Current	<1 μ A
Resolution	Infinite
Operating Temperature Range	- 65 °C to 105 °C [- 85 °F to 221 °F]
Vibration	20 g / 0,75 mm (rms) 5 hz to 2 khz
Shock	50 g 11 ms half sine
Operating Life	one billion dither operations
Total Resistance	5,000 Ohms
Resistance Tolerance	± 20 %
Insulation Resistance	1000 MOhm @ 500 Vdc
Dielectric Strength	1000 V rms
Weight (Ranges)	0,363 kg [0.8 lb]
Sealing	NEMA 4 - Water Resistant
UNSPSC Code	41111945
UNSPSC Commodity	41111945 Linear position sensors
Availability	Global
Comments	Note; Mating Connector, Item Number E02903021, sold separately. Options; Electrical Travel, Total Resistance, Linearity, Rod End Bearing, Ball Joint Assembly, Shaft Thread (M6 x 1 Metric), Din 43650 Connector, Dual Elements
Series Name	LFII Series

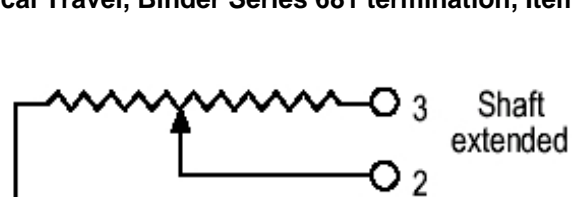
LF2W06N5KB6A

LongFellow® II Linear Position Transducer, Water Resistant, 152,4 mm [6.0 in] Electrical Travel, Binder Series 681 termination, Item Number 9811201



LF2W06N5KB6A

LongFellow® II Linear Position Transducer, Water Resistant, 152,4 mm [6.0 in] Electrical Travel, Binder Series 681 termination, Item Number 9811201



LF2W06N5KB6A

LongFellow® II Linear Position Transducer, Water Resistant, 152,4 mm [6.0 in] Electrical Travel, Binder Series 681 termination, Item Number 9811201

WARNING
PERSONAL INJURY
 DO NOT USE these products as safety or emergency stop devices, or in any other application where failure of the product could result in personal injury.

Failure to comply with these instructions could result in death or serious injury.

WARNING
MISUSE OF DOCUMENTATION

- ? The information presented in this product sheet (or catalog) is for reference only. DO NOT USE this document as product installation information.
- ? Complete installation, operation and maintenance information is provided in the instructions supplied with each product.

Failure to comply with these instructions could result in death or serious injury.