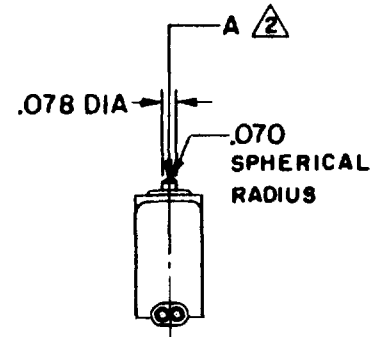
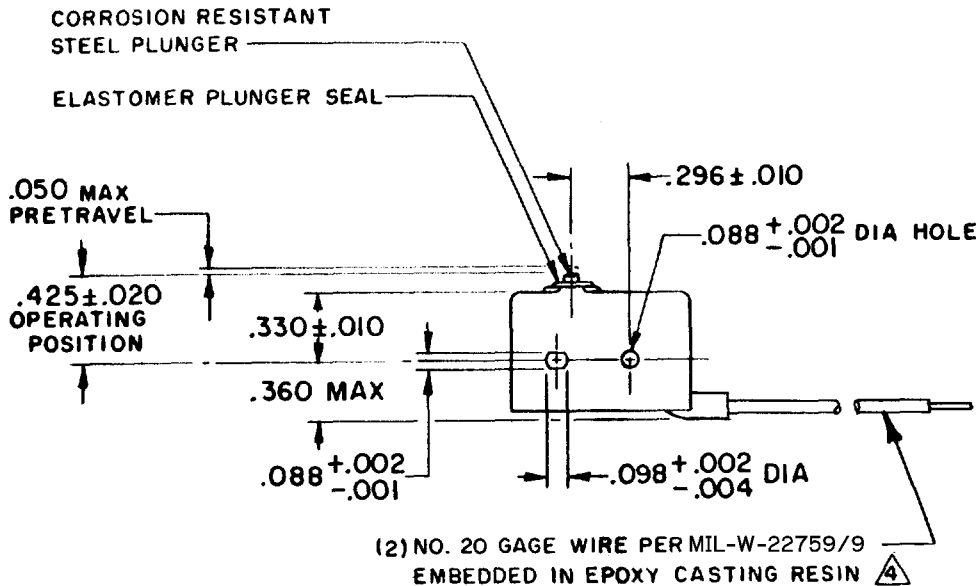
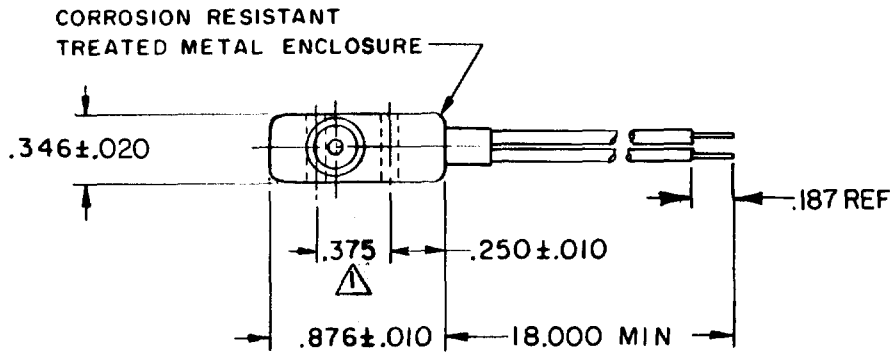


DRAWING NUMBER **6SE315**
 PAGE 1 OF 1
 ISSUE **6**
 REVISIONS:
 A CO-34213 JAL 26 SEPT 74
 B CO52067 C JH 21 SEP 82
 C CO57041A C JH 21 MAR 85
 D CO 71430 L J F 22 NOV 91
 E CO-94402 J J A 5 MAR 99
 CHECK 14 AUG 63
 CHECK 14 AUG 63
 CHECK 14 AUG 63
 DRAWN M B F
 FORMTEK
 REPLACES SR 11197
 RELEASE NO. SR 11197



- NOTE -
- ▲ MOUNTING HOLES WILL ACCEPT PINS OR SCREWS OF .087 MAX DIA ON .375 ± .002 CENTERS
 - ▲ ACTUATION IN LINE WITH ARROW "A" IS RECOMMENDED
 - ▲ WEIGHT OF SWITCH ONLY IS .26 OZ MAX. WEIGHT OF SWITCH WITH WIRE LEADS IS .45 OZ MAX
 - ▲ WIRE LEADS MARKED WITH CIRCUIT IDENTIFICATION AND WIRE GAGE (CLOSED - 20 AND COMMON-20) PER MIL-W-5088

THIS DRAWING COVERS A PROPRIETARY ITEM AND IS THE PROPERTY OF MICRO SWITCH, A DIVISION OF MINNEAPOLIS-HONEYWELL REGULATOR CO. THIS DRAWING IS NOT TO BE COPIED OR USED WITHOUT THE APPROVAL OF MICRO SWITCH.

| CHARACTERISTICS | ELECTRICAL DATA | SCALE FULL |
|------------------------------------|---|---------------------------|
| OPERATING FORCE — — — — 5-17 OZ | CONTACT ARRANGEMENT S P N C | DO NOT SCALE PRINT |
| RELEASE FORCE — — — — 4 OZ MIN | 250 VAC — — — — — 5 AMP | UNLESS OTHERWISE NOTED |
| RELEASE TRAVEL — — — — .004 MIN | 30 VOLTS DC RATING | DIMENSIONS ARE IN INCHES |
| DIFFERENTIAL TRAVEL — — — .004 MAX | INDUCTIVE — — — — SEA LEVEL — — — 3 AMP | TOLERANCES ARE: |
| OVERTRAVEL — — — — .003 MIN | RESISTIVE — — — — SEA LEVEL — — — 5 AMP | ONE PLACE (.0) ± .030 |
| | 50,000 FT — — — 2.5 AMP | TWO PLACE (.00) ± .015 |
| | 50,000 FT — — — 5 AMP | THREE PLACE (.000) ± .005 |
| | MAXIMUM INRUSH — — — — 24 AMP | ANGLES ± |
| | | WEIGHT ▲ 3 |