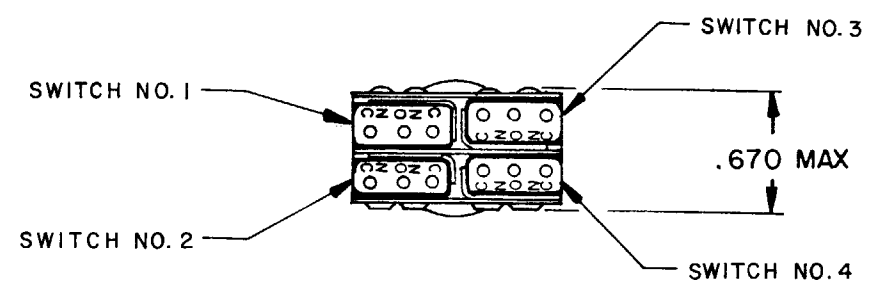
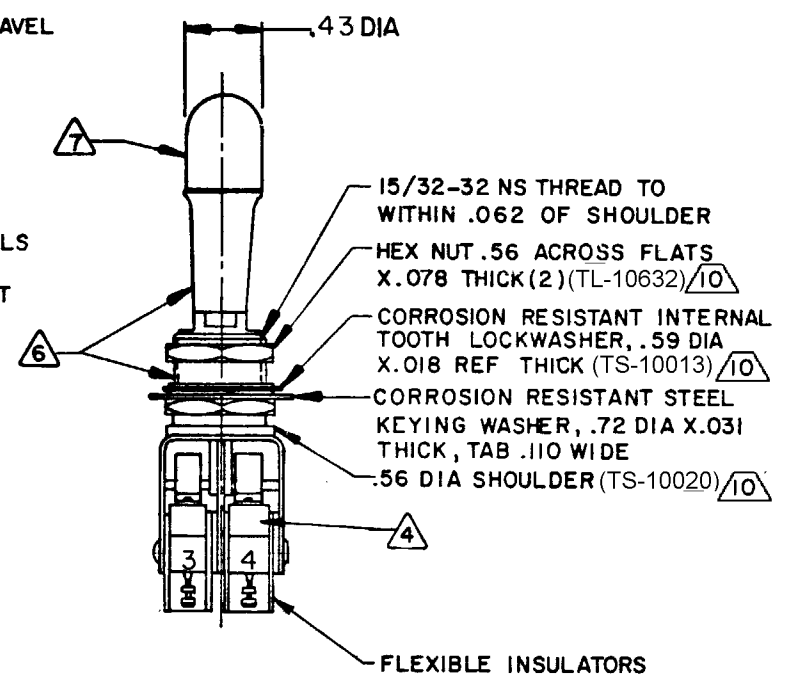
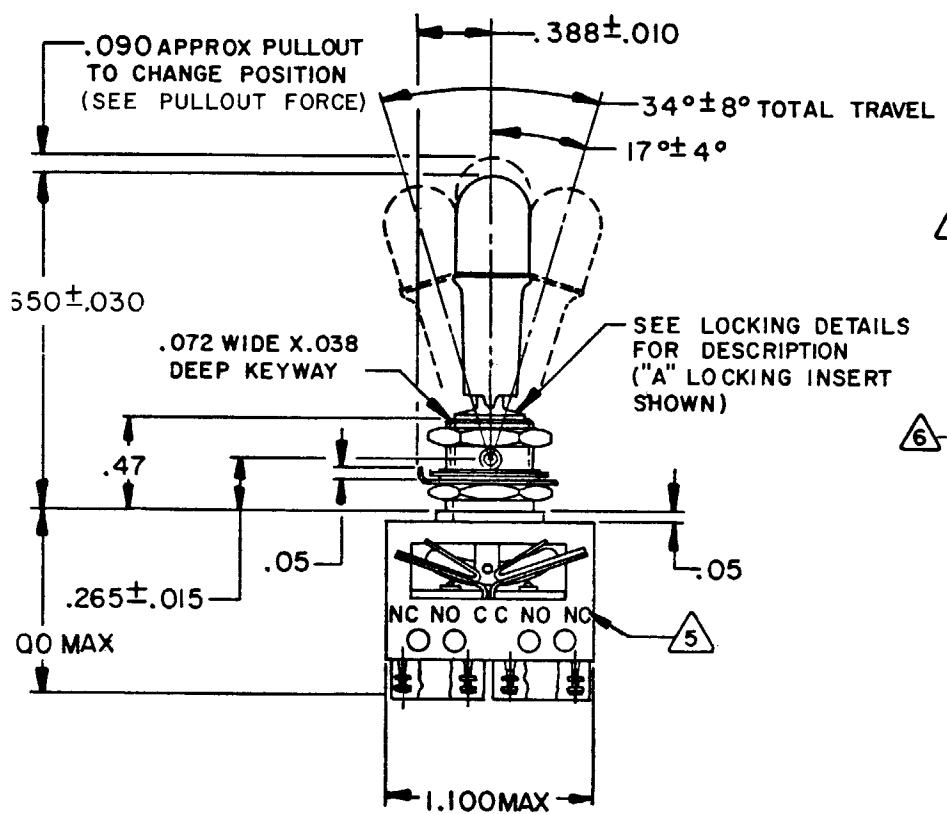


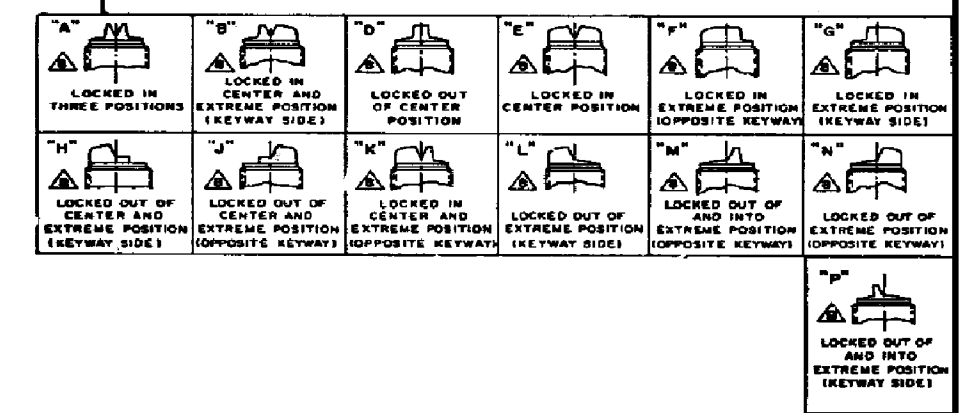
HONEYWELL  
PART NUMBER  
64 AT11 SERIES CHART 2

REV	DOCUMENT	CHANGED BY	CHECK
20	0012331	KSR 07APR05	AK



64AT11-IA 64AT11-ID 64AT11-IL 64AT11-5K 64AT11-5L 64AT11-7E 64AT11-3D	FAA-PMA FAA-PMA FAA-PMA FAA-PMA FAA-PMA FAA-PMA FAA-PMA	CATALOG LISTING	KEYWAY POSITION		CENTER POSITION		OPPOSITE KEYWAY POSITION		RECOMMENDED LOCKING COMBINATIONS
			C-NC	C-NO	C-NO	C-NC	C-NC	C-NO	
64AT11-1		1, 2	3, 4	NONE	ALL	3, 4	1, 2	A, B, D, E, F, G, H J, K, L, M, N, P	
64AT11-3		1, 2	3, 4	NONE	NONE	3, 4	1, 2	D, F, G	
64AT11-5		1, 2*	3, 4*	NONE	ALL	3, 4	1, 2	L, N, K	
64AT11-7		1, 2*	3, 4*	NONE	ALL	3, 4*	1, 2*	E, L, N	
64AT11-514		1, 2	3, 4	NONE	ALL	3, 4*	1, 2*	B, E, G, L, N, P	

\* ASTERISK DENOTES MOMENTARY POSITION



- NOTES:
- UNIT INCLUDES "SX" TYPE BASIC SWITCH (4) (MEETS REQUIREMENTS OF MIL-S-6743)
  - SWITCHES DO NOT NECESSARILY OPERATE SIMULTANEOUSLY
  - TERMINALS ARE PLATED FOR SOLDERING
  - SWITCH NUMBERS MARKED ON END OF BASIC SWITCHES
  - TERMINAL DESIGNATION STAMPED ON BOTH SIDES OF UNIT
  - DULL FINISH ON LEVER AND BUSHING
  - FLAT WHITE RESILIENT SILICONE (50 DUROMETER APPROX)
  - SUFFIX LETTER MUST BE ADDED FOR DESIRED TYPE TOGGLE LOCKING (SEE CHART FOR RECOMMENDED LOCKING COMBINATIONS)
  - FOR REPLACEMENT BUTTON SEE MICRO SWITCH CAT. LISTING 15PA90-6W
  - HARDWARE FURNISHED ASSEMBLED WITH SWITCH OR IN PACKET 15PA313-AT PER MIL-PRF-8805
  - REPLACEMENT MOUNTING HARDWARE PACKET 15PA313-AT
  - FOR MANUFACTURING DETAIL SEE THE CORRESPONDING ASSEMBLY DRAWING FOR EACH LISTING FOR FAA-PMA.

ELECTRICAL RATINGS			
LOAD	SEA LEVEL		50,000 FT
	28 Vdc (AMPERES)	115 Vac, 60 Hz (AMPERES)	28 Vdc (AMPERES)
RESISTIVE	7	7	4
INDUCTIVE	4	7	2.5

DESIGN UNITS: INCH  
TOLERANCES UNLESS NOTED:

NO PLACE X ±  
ONE PLACE .X ± 0.030  
TWO PLACE .XX ± 0.015  
THREE PLACE .XXX ± 0.005  
FOUR PLACE .XXXX ±  
ANGLES ±

THIRD ANGLE PROJECTION

DRAWN BEN 28OCT74  
CHECK AK 07APR05

THIS DRAWING COVERS A PROPRIETARY ITEM AND IS THE PROPERTY OF HONEYWELL. THIS DRAWING IS NOT TO BE COPIED OR USED WITHOUT THE PERMISSION OF HONEYWELL.

INTERPRET PER ASME Y14.5M-1994 OTHER HONEYWELL ENGINEERING STANDARDS MAY APPLY

RASTER

**Honeywell**

TITLE  
**ASSEMBLY - TOGGLE SWITCH**

SIZE	TYPE	DRAWING NAME	REV
<b>B</b>	<b>I</b>	64AT11 SERIES CHART 2	20

SCALE FULL WEIGHT .09 LB EST SHEET 1 OF 1