

MICRO SWITCH

FREERPORT ILLINOIS, U.S.A
A DIVISION OF HONEYWELL
FED. MFG. CODE 91929

SWITCH - BASIC

CATALOG LISTING

5SE183-2

5SE183-2

M

DRAWING NUMBER

X

4

ISSUE

REVISIONS

A	C056103	CJH	12 NOV 84
B	C057041A	CJH	MAR 85
C	C070590	LJF	28 SEP 91

REPLACES

RELEASE NO. PR-7464

CHECK

CHECK

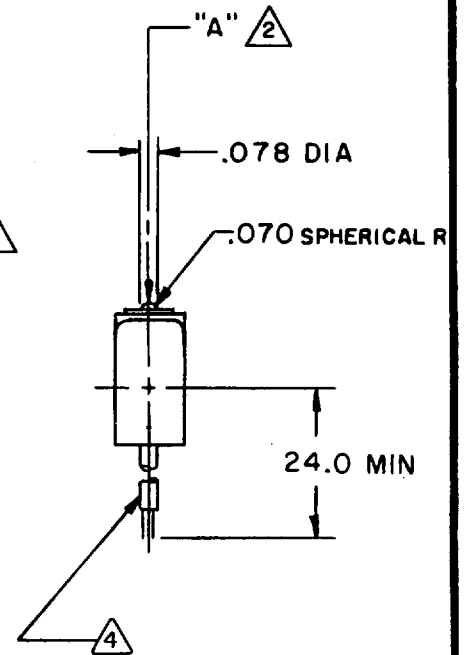
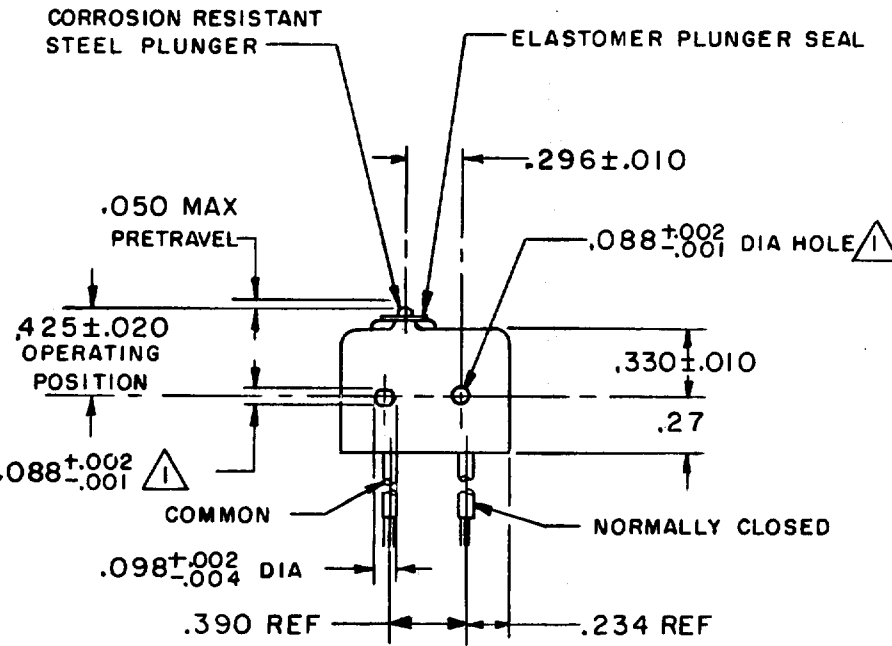
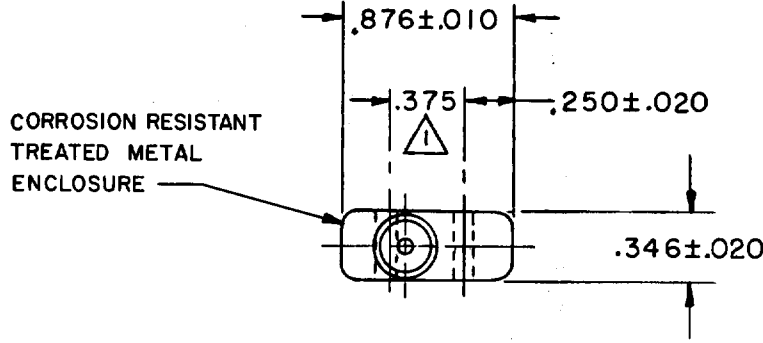
2 NOV 78

CHECK

CHECK

CHECK

CHECK

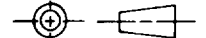


NOTES

- ① - MOUNTING HOLES WILL ACCEPT .087 MAX DIA PINS OR SCREWS ON .375±.002 CENTERS
- ② ACTUATION IN LINE WITH ARROW "A" IS RECOMMENDED
- ③ WEIGHT OF SWITCH ONLY IS .26 OZ MAX. WEIGHT OF SWITCH WITH WIRE LEADS IS .58 OZ MAX
- ④ NO. 20 WIRE LEAD PER MIL-STD-22759/17 MARKED WITH CIRCUIT IDENTIFICATION & WIRE GAGE AT 2 INCH INTERVAL (C-20, NC-20) PER MIL-W-5088. LEAD WIRE EMBEDDED IN EPOXY CASTING RESIN

THIS DRAWING COVERS A PROPRIETARY ITEM AND IS THE PROPERTY OF MICRO SWITCH. A DIVISION OF HONEYWELL. THIS DRAWING IS NOT TO BE COPIED OR USED WITHOUT THE APPROVAL OF MICRO SWITCH.

THIRD ANGLE PROJECTION



CHARACTERISTICS

OPERATING FORCE ----- 5-17 OZ
RELEASE FORCE ----- 4 OZ MIN
RELEASE TRAVEL ----- .004 MIN
DIFFERENTIAL TRAVEL ----- .004 MAX
OVERTRAVEL ----- .003 MIN

ELECTRICAL DATA

CONTACT ARRANGEMENT
S P N C
250 VAC ----- 5 AMP
30 VOLTS DC RATING
INDUCTIVE ----- SEA LEVEL -- 3 AMP
50,000 FT -- 2.5 AMP
RESISTIVE ----- SEA LEVEL -- 5 AMP
50,000 FT -- 5 AMP
MAXIMUM INRUSH ----- 24 AMP

SCALE FULL

DO NOT SCALE PRINT

TOLERANCES

APPLY TO DESIGN UNITS. CONVERSIONS ARE ONLY FOR REFERENCE. UNLESS NOTED, TOLERANCES ARE:

	DIM. mm	TOL. mm/in	DIM. in	TOL. mm/in
NO PLACES	X	1/04	X X	0.01/03
ONE PLACE	X,X	0.4/016	X X X	0.381/015
TWO PLACES	X,X,X	0.15/008	X X X X	0.151/.776
THREE PLACES	X,X,X,X		X X X X X	
ANGLES				

METRIC

US CUSTOMARY

DESIGN UNITS METRIC US CUSTOMARY

WEIGHT ③

J-52848-A

DRAWN

D J S 28 OCT 78