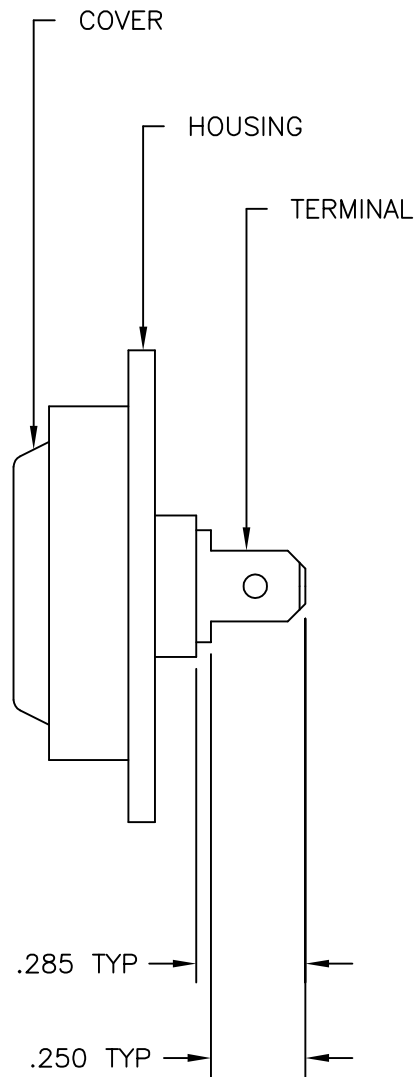
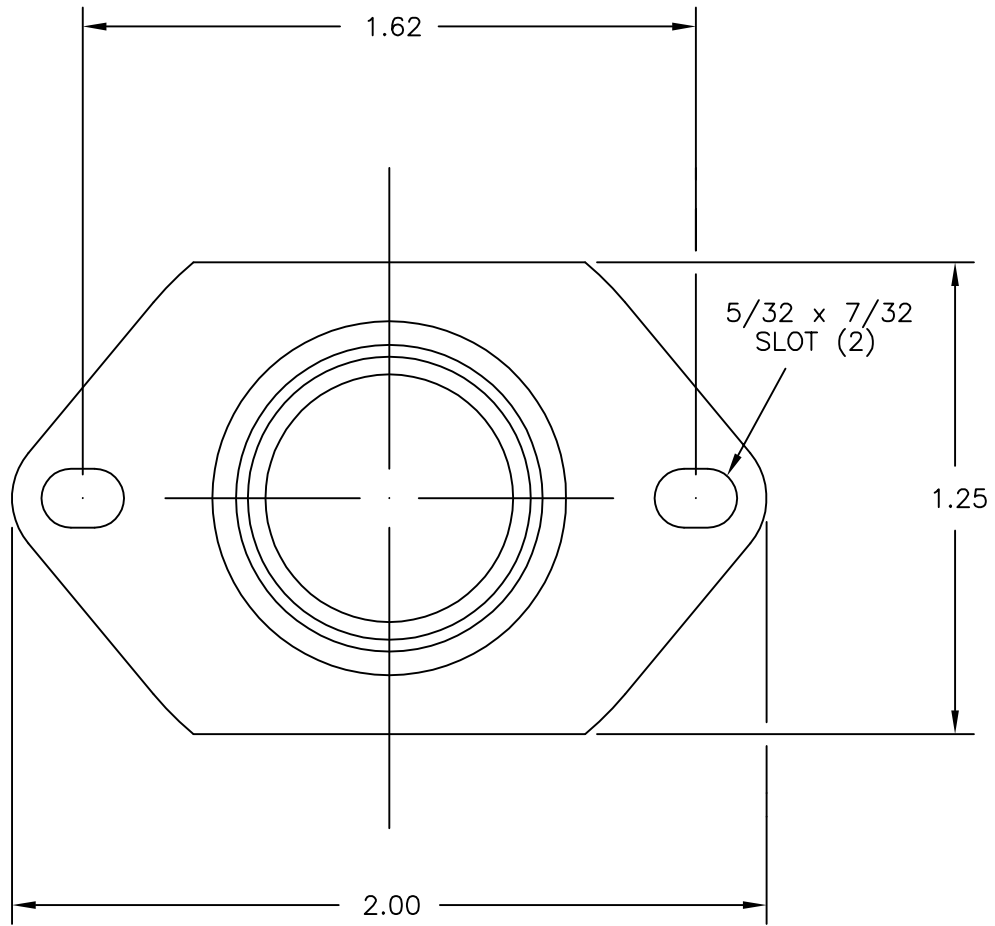


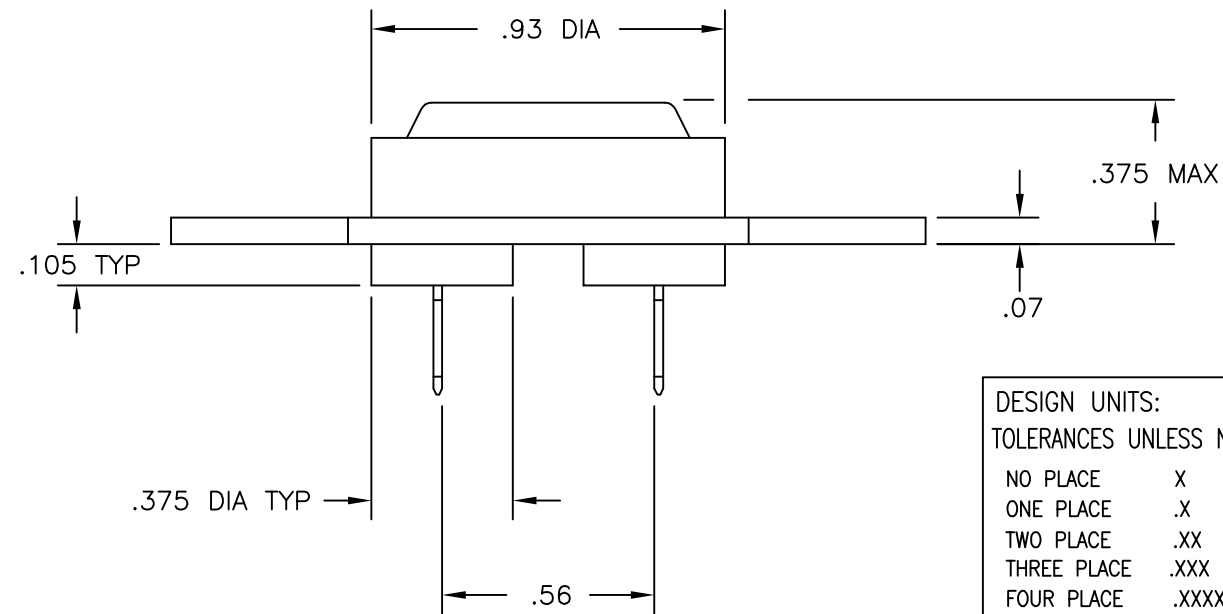
FO-55111-B

HONEYWELL
PART NUMBER
535-42BA02-303

REV	DOCUMENT	CHANGED BY	CHECK
P	0022181	MPH 16JUN06	RK



COVER	304 STAINLESS STEEL
HOUSING	400 SERIES G.E. VALOX #420 WHITE HEAT DEFLECTION TEMPERATURE: >200°C LOW MOISTURE ABSORPTION U.L. 94 HB RECOGNIZED
TERMINALS (2)	.187 TAB TYPE MATERIAL: TIN PLATED BRASS
RESISTANCE (OHMS)	30,000 NOMINAL AT 25°C 68,280 ±2% AT 7.22°C
R-T CURVE	16
RoHS COMPLIANT	



DESIGN UNITS:	INCH
TOLERANCES UNLESS NOTED:	
NO PLACE	X ±
ONE PLACE	.X ±
TWO PLACE	.XX ±
THREE PLACE	.XXX ±
FOUR PLACE	.XXXX ±
ANGLES	X ±

THIRD ANGLE PROJECTION

DRAWN	MPH	16JUN06
CHECK	RK	16JUN06

THIS DRAWING COVERS A PROPRIETARY ITEM AND IS THE PROPERTY OF HONEYWELL. THIS DRAWING IS NOT TO BE COPIED OR USED WITHOUT THE PERMISSION OF HONEYWELL.

INTERPRET PER ASME Y14.5M-1994 OTHER HONEYWELL ENGINEERING STANDARDS MAY APPLY

AUTOCAD 2D

Honeywell			
TITLE PROBE ASSEMBLY OUTLINE			
SIZE	TYPE	DRAWING NAME	REV
B	I	535-42BA02-303	P
SCALE	NTS	SHEET	1 OF 1