

MICRO SWITCH
 FREEPORT ILLINOIS U.S.A.
 A DIVISION OF HONEYWELL
 FED. MFG. CODE 91929

SWITCH - ENCLOSED

CATALOG LISTING
444EN1-12

444EN1-12

M

DRAWING NUMBER

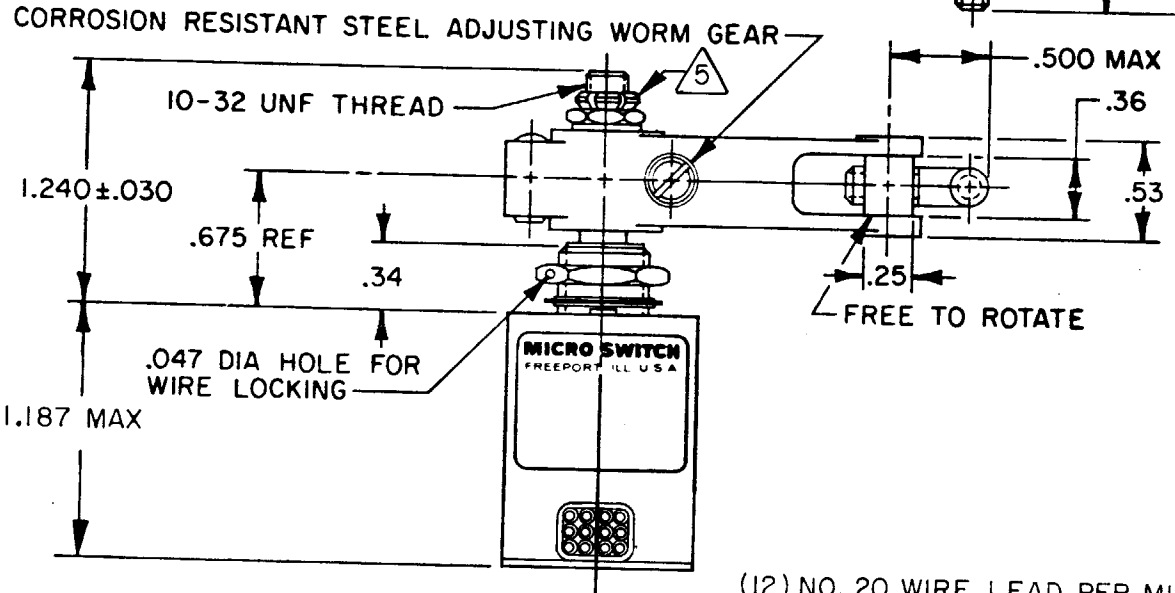
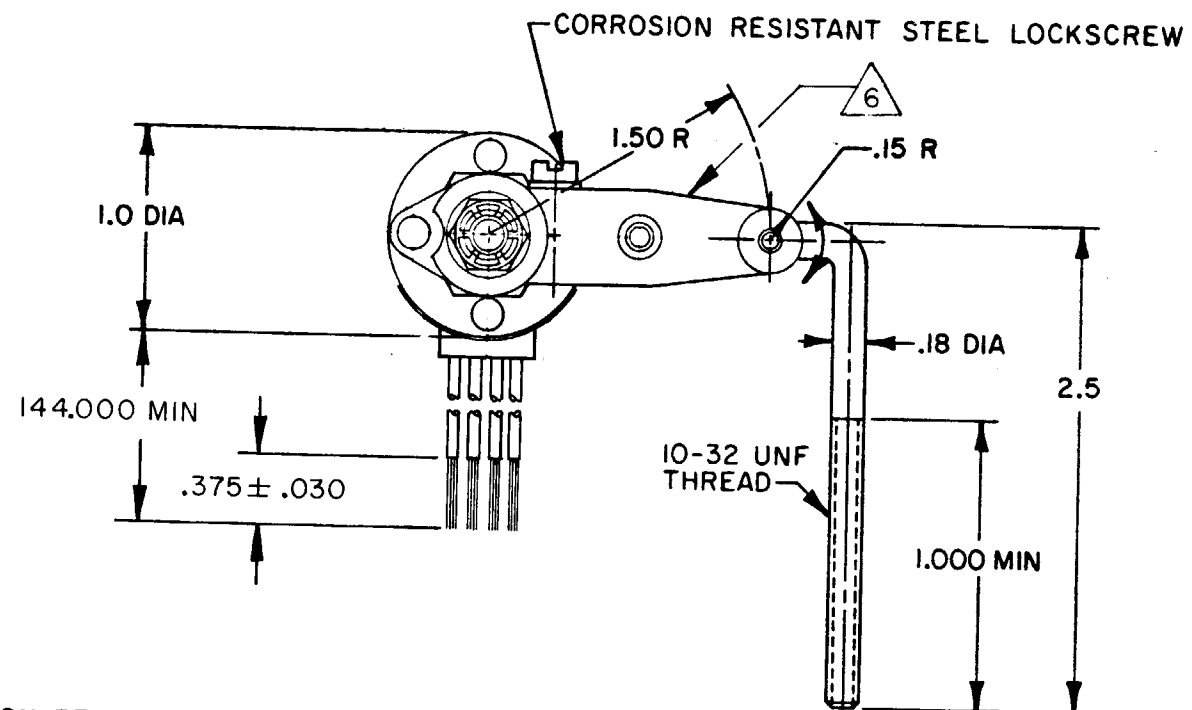
ISSUE

15

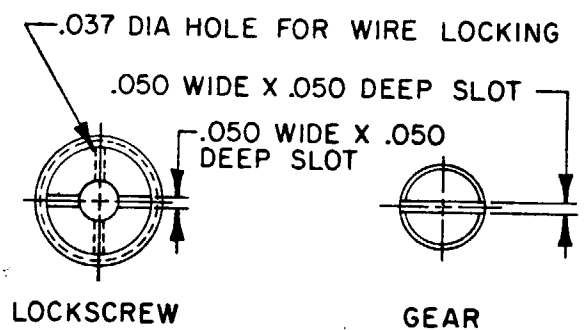
REVISIONS

A	CO44351	J A P	19 FEB 80
B	CO47573	T S M	11 AUG 80
C	CO 49806	G R T	28 SEP 81
D	CO57370	T S K	16 MAY 85

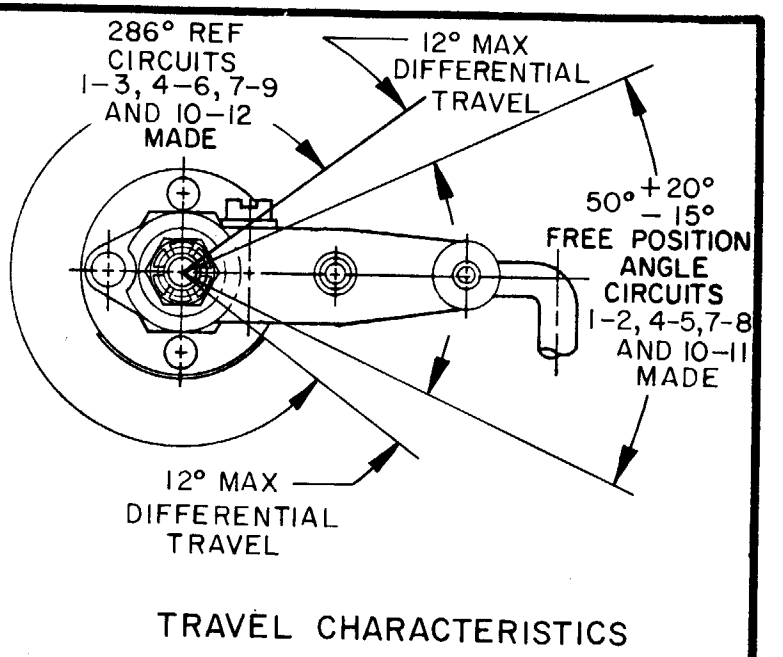
RELEASE NO. PR-4669
 CHECK
 20 FEB 80
 CHECK
 19 FEB 80
 DRAWN
 J A P



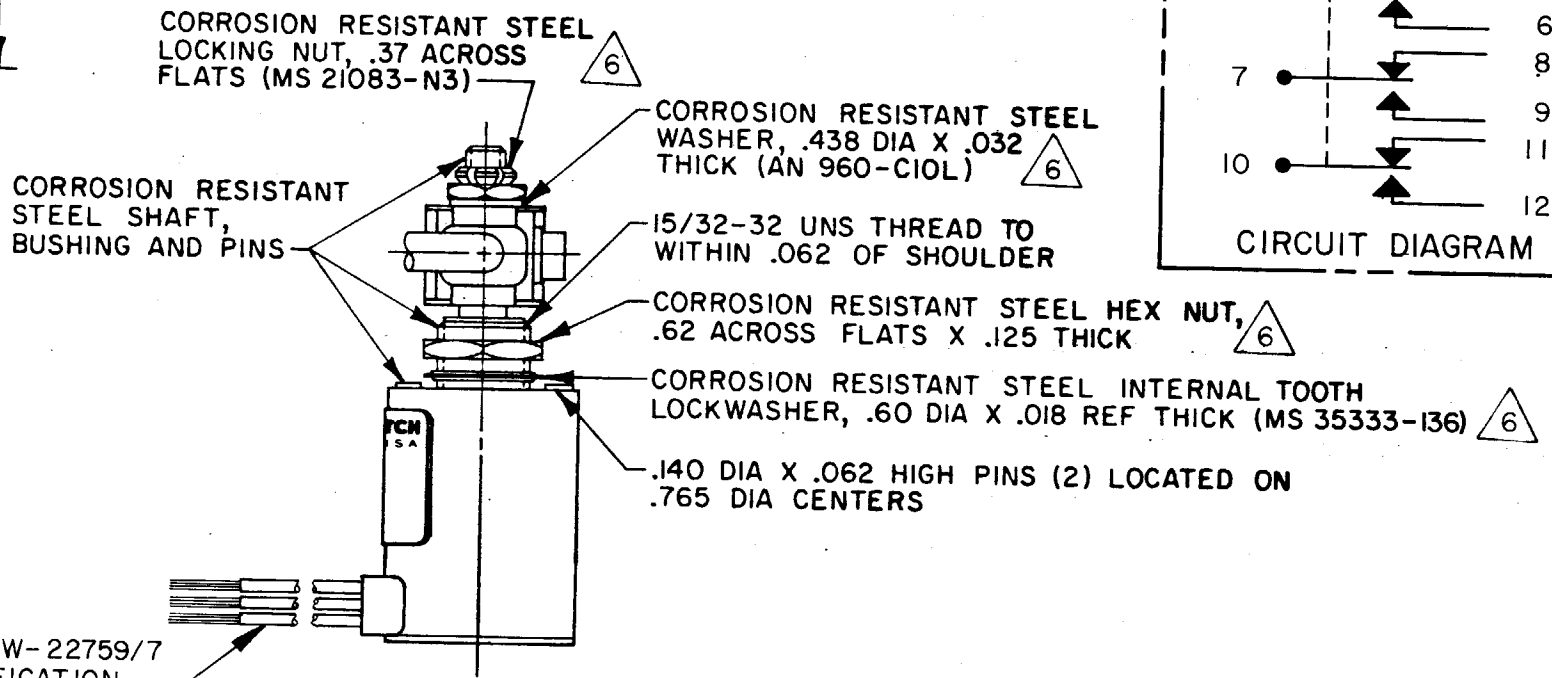
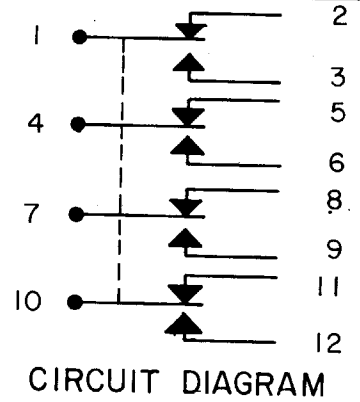
(12) NO. 20 WIRE LEAD PER MIL-W-22759/7
 MARKED WITH CIRCUIT IDENTIFICATION
 AND WIRE GAGE (1-20, 2-20, ETC)
 PER MIL-W-5088



LEVER MAY BE ADJUSTED FOR AN INFINITE NUMBER OF POSITIONS THRU 360°. ADJUSTMENT IS MADE BY LOOSENING THE LOCK NUT AND THEN THE LOCKSCREW AND TURNING GEAR UNTIL LEVER IS IN DESIRED POSITION. LOCKSCREW AND LOCK NUT ON SHAFT IS THEN TIGHTENED TO POSITIVELY LOCK LEVER IN POSITION.
LEVER ADJUSTMENT DETAIL
 SCALE 2 TO 1



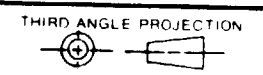
TRAVEL CHARACTERISTICS



NOTES

- 1 - CORROSION RESISTANT STEEL ENCLOSURE
- 2 - SWITCH SEALED PER MIL-S-8805 SYMBOL 4
- 3 - CIRCUIT DIAGRAM AND CAT. LIST. ARE SHOWN ON NAMEPLATE
- 4 - UNIT PROVIDES NO SHAFT RESTORING TORQUE, THE ACTUATING DEVICE MUST CONTROL MOVEMENT OF THE SHAFT DO NOT APPLY MORE THAN 20-25 INCH-POUNDS OF TORQUE WHEN TIGHTENING LOCKING NUT
- 5 - HARDWARE MAY BE PACKAGED UNASSEMBLED PER MIL-S-8805

THIS DRAWING COVERS A PROPRIETARY ITEM AND IS THE PROPERTY OF MICRO SWITCH, A DIVISION OF HONEYWELL. THIS DRAWING IS NOT TO BE COPIED OR USED WITHOUT THE APPROVAL OF MICRO SWITCH.



SCALE FULL	
DO NOT SCALE PRINT	
TOLERANCES	
APPLY TO DESIGN UNITS. CONVERSIONS ARE ONLY FOR REFERENCE. UNLESS NOTED, TOLERANCES ARE 2	
DIM.	TOL.
NO PLACES	1/.04
ONE PLACE	X X 0.47/018
TWO PLACES	X, X X 0.157/.008
THREE PLACES	X X X 0.387/015
ANGLES	X X X X 0.137/005
DESIGN UNITS <input type="checkbox"/> SI METRIC <input checked="" type="checkbox"/> US CUSTOMARY	
RAW MATERIAL - COMMERCIAL STANDARD	
MICRO SWITCH STANDARDS APPLY	
DIMENSIONS ARE TO BE MET BEFORE PROTECTIVE COATINGS ARE APPLIED	
WEIGHT 21.5 OZ MAX	

CHARACTERISTICS		ELECTRICAL DATA	
OPERATING TORQUE ----- 3 IN LB MAX		CONTACT ARRANGEMENT S P D T (4)	
PRETRAVEL		LOAD 28 VDC	
DIFFERENTIAL TRAVEL		SEA LEVEL 50,000 FT.	
OVERTRAVEL		RES 7 7	
FREE POSITION		IND 4 2.5	
SEE DETAIL		MOTOR 4	
		LAMP	