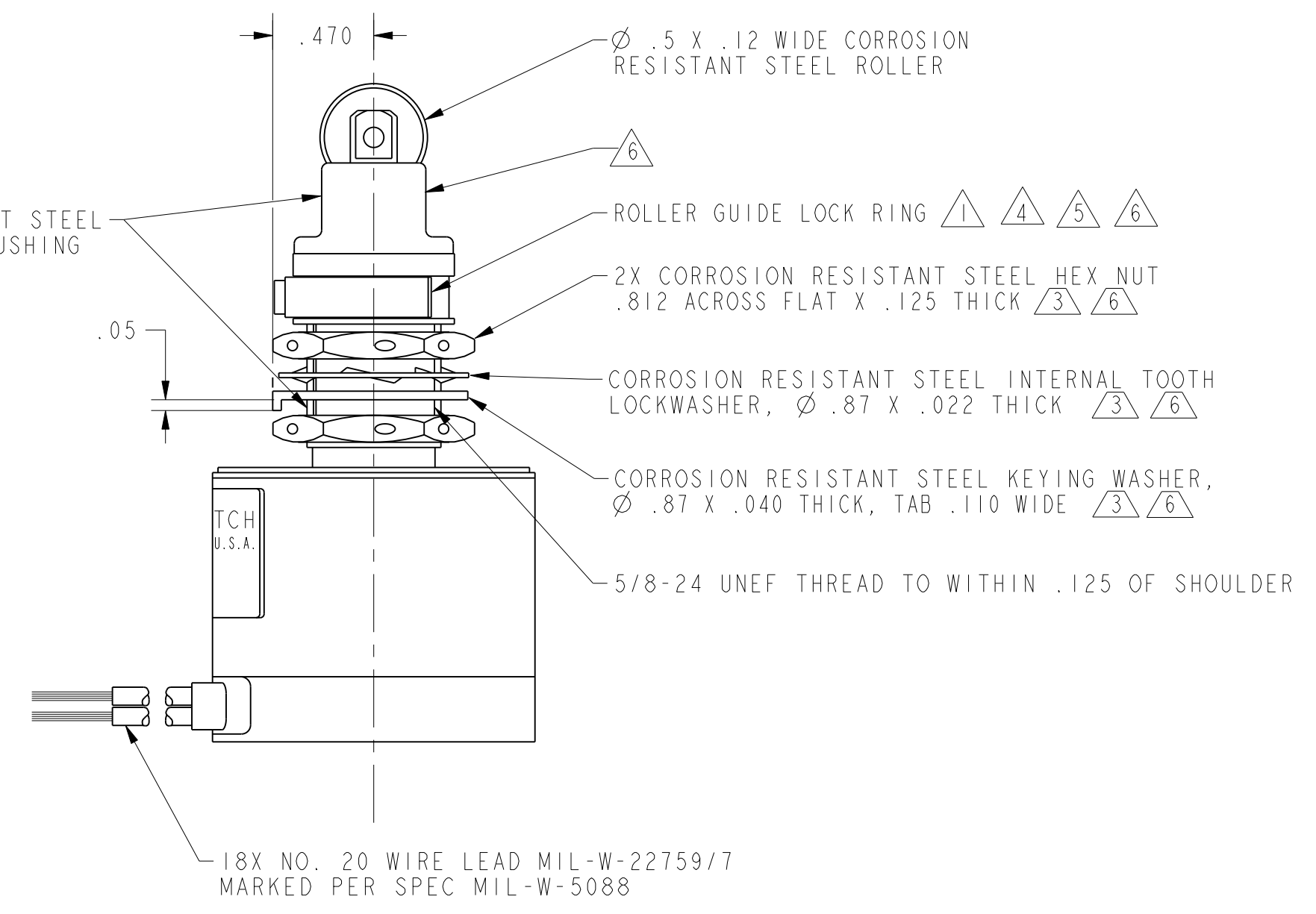
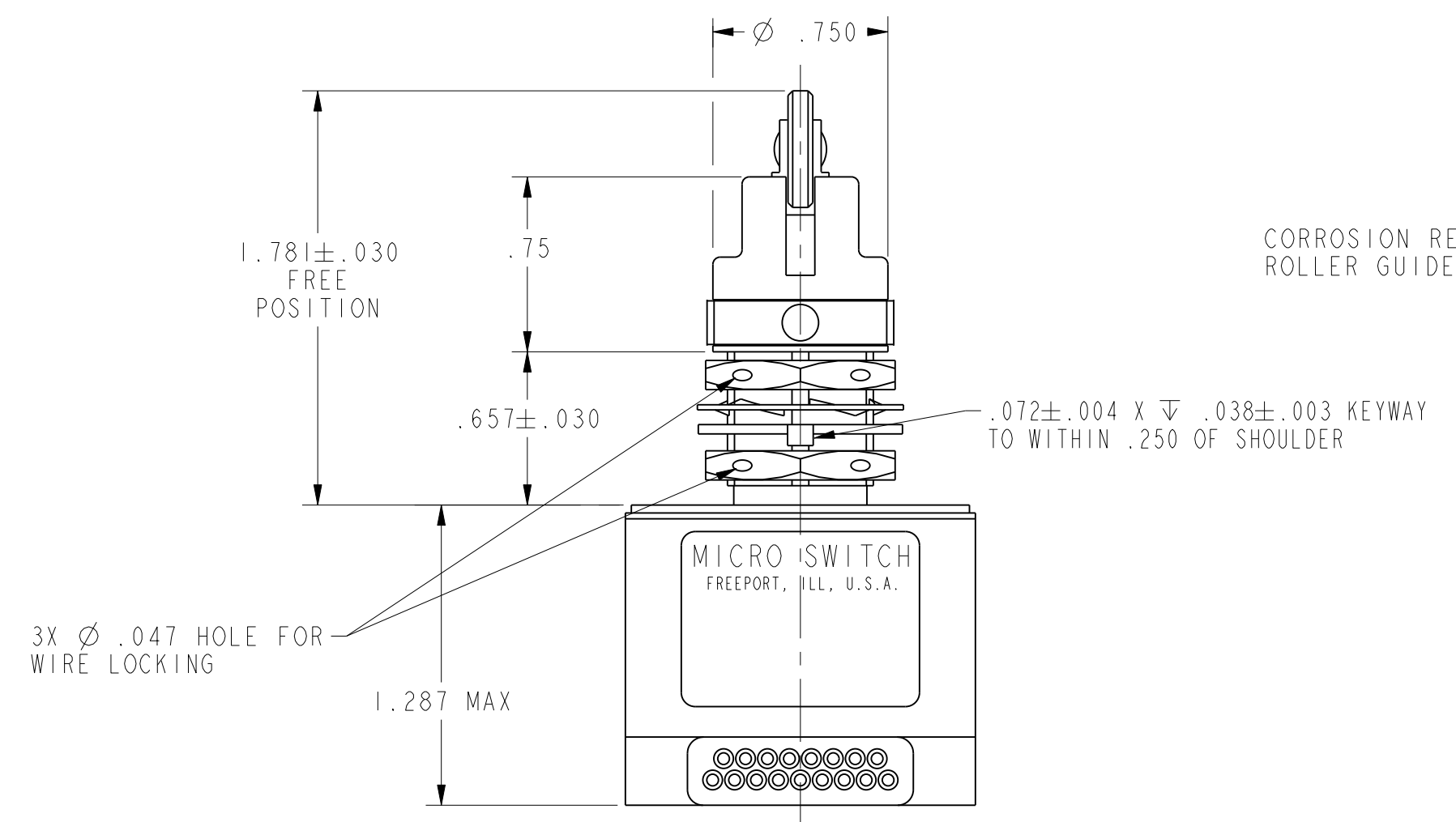
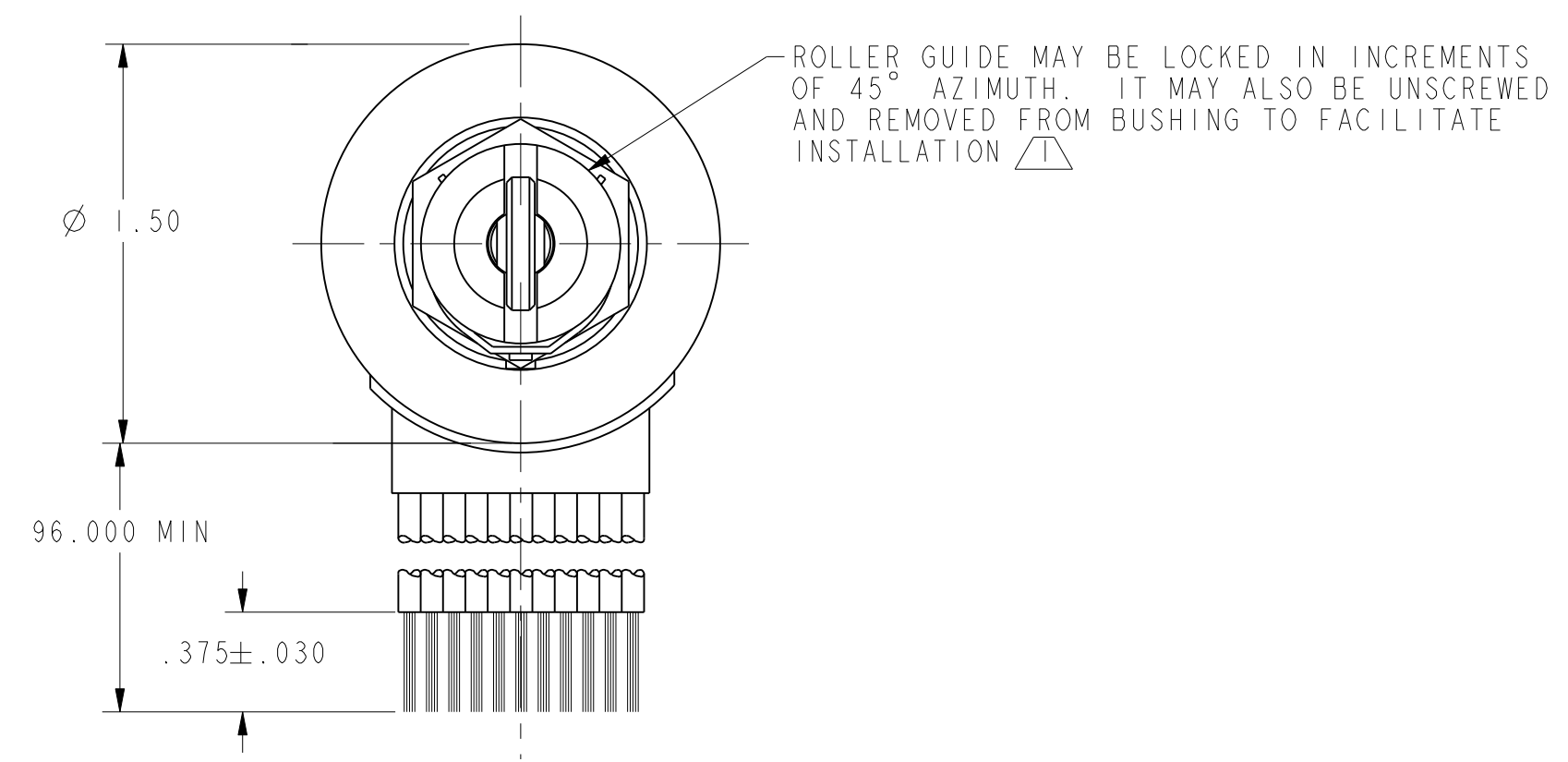


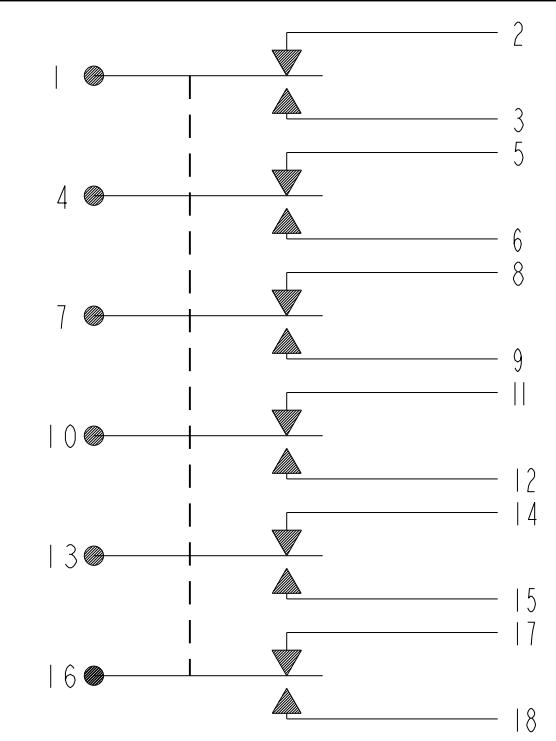
HONEYWELL  
PART NUMBER  
426HE13-8

REV	DOCUMENT	CHANGED BY	CHECK
D	0016259	KR 28OCT05	VA



SEE CHART FOR CONTACT MATERIAL

CIRCUIT DIAGRAM



SPECIFICATION DETAILS:		
STANDARD:	CONFORMS TO MS21321-2 (MIL-PRF-8805/39) EXCEPT AS NOTED	
CONSTRUCTION:	ENCLOSURE DESIGN: HERMETIC SEAL PER MIL-PRF-8805, SYMBOL 5	
CONTACT MATERIAL & CONFIGURATION:	SEE CIRCUIT DIAGRAM	
CIRCUIT CONFIGURATION:	S P D T (6)	
TERMINATION:	LEADWIRE PER MIL-W-22759/7	
WEIGHT:	32 OZ MAX	
O-RING MATERIAL:	SILICONE ELASTOMER	
ELECTRICAL CHARACTERISTICS:	DIELECTRIC STRENGTH & INSULATION RESISTANCE	
	DIELECTRIC STRENGTH (≈ 60 Hz FOR 5 SECONDS)	INSULATION RESISTANCE (500 VDC ±10%)
	1000 V Rms, 500 μA (MAX LKG)	1000 megohms MIN
SWITCH RESISTANCE:	N/A	
RECOMMENDATION FOR USE:	SEE CHART	
	NOT RECOMMENDED: SEE CHART	
MAX ELECTRICAL RATINGS:		
CONTACT ARRANGEMENT: 6 S P D T		
RATINGS		
	SEA LEVEL	50,000 FT
LOAD	28 VDC	28 VDC
RES	SEE CHT	SEE CHT
IND	SEE CHT	SEE CHT
MOTOR	SEE CHT	SEE CHT
	SEA LEVEL	50,000 FT
LOAD	28 VDC	28 VDC
RES	SEE CHT	SEE CHT
IND	SEE CHT	SEE CHT
LAMP	SEE CHT	SEE CHT
MECHANICAL CHARACTERISTICS:		
CHARACTERISTICS		
COINCIDENCE OF OPERATING AND RELEASING POINTS	.010 OF PLUNGER TRAVEL	
OPERATING FORCE	6-12 LBS	
FULL OVERTRAVEL FORCE	30 LBS MAX	
RELEASE FORCE	4 LBS MIN	
PRETRAVEL	.040 MAX	
DIFFERENTIAL TRAVEL	.030 MAX	
OVERTRAVEL	.250 MIN	
MOUNTING TORQUE	15 IN-LBS RECOMMENDED PER MIL-PRF-8805	
MOUNTING STRENGTH	30-IN LBS MAX WILL NOT CAUSE SWITCH DAMAGE	
ACTUATOR STRENGTH	30 LBS APPLIES IN A DIRECTION TO CAUSE SWITCH ACTUATION	
LIFE:		
MECHANICAL LIFE	150,000 CYCLES	
ELECTRICAL LIFE AT FULL RATED LOAD	SEE CHART	
ENVIRONMENTAL:		
TEMPERATURE RANGE	-55° C +85° C	
ALTITUDE RANGE	SEA LEVEL TO 50,000 FEET	
SHOCK	PER MIL-PRF-8805 SYMBOL M - 100g	
VIBRATION	PER BOEING D6-81926, REV B (ZONE 3, CATEGORY A)	
MOISTURE RESISTANCE	PER MIL-PRF-8805 (10 DAY TEST)	
THERMAL SHOCK	200 CYCLES PER MIL-PRF-8805	
SALT SPRAY	PER MIL-PRF-8805 (96 HOUR TEST)	
PREDICTED LIFE RATINGS BEYOND MIL-PRF-8805 REQUIREMENTS:		

- NOTES
- 1 TO ADJUST ROLLER DIRECTION, REMOVE ROLLER GUIDE LOCK RING, SCREW ROLLER GUIDE DOWN AS FAR AS POSSIBLE, THEN UNSCREW TO DESIRED DIRECTION. SECURE BY REPLACING GUIDE LOCK RING
  - 2 - CIRCUIT DIAGRAM, CATALOG LISTING, FED MFG CODE, FAA-PMA & DATE CODE ARE SHOWN ON NAMEPLATE
  - 3 REPLACEMENT MOUNTING HARDWARE: PACKET 19PA8
  - 4 REPLACEMENT ROLLER GUIDE AND LOCK RING PACKET 15PA104
  - 5 REPLACEMENT LOCK RING: PACKET 15PA137
  - 6 HARDWARE MAY BE PACKAGED UNASSEMBLED PER MIL-PRF-8805
  - 7 FOR MANUFACTURING DETAL SEE ASSEMBLY DRAWING 426HE13-8 FOR FAA-PMA

CIRCUIT	CONTACT TYPE	LOAD TYPE	CURRENT (mA)			INDUCTANCE	ELECTRICAL ENDURANCE
			MIN	NOMINAL	MAX		
1-2 AND 1-3 4-5 AND 4-6 10-11 AND 10-12	GOLD BIFURCATED	INDUCTIVE	3	-	350	80 mh	150000
		RESISTIVE	1	-	40	N/A	150000
7-8 AND 7-9 13-14 AND 13-15 16-17 AND 16-18	GOLD PLATED SILVER	INDUCTIVE	-	110	-	1.5 h	150000
		INDUCTIVE	150	-	2000	180 mh	75000
		RESISTIVE	1000	-	3000	180 mh	37500
		INDUCTIVE	N/A	-	3150	180 mh	100
		RESISTIVE	1	-	50	N/A	150000

DESIGN UNITS: INCH	DRAWN: SWO/AP 21 JAN 05	<b>Honeywell</b>	
TOLERANCES UNLESS NOTED:	CHECK: PH/AP 21 JAN 05		
NO PLACE .x ± .040	THIS DRAWING COVERS A PROPRIETARY ITEM AND IS THE PROPERTY OF HONEYWELL. THIS DRAWING IS NOT TO BE COPIED OR USED WITHOUT THE PERMISSION OF HONEYWELL.		TITLE: SWITCH-ENCLOSED
ONE PLACE .x ± .030	INTERPRET PER *** OTHER HONEYWELL ENGINEERING STANDARDS MAY APPLY		SIZE: D I
TWO PLACE .xx ± .015	Pro/ENGINEER 3D		DRAWING NAME: 426HE13-8
THREE PLACE .xxx ± .005	SCALE: 1.5:1		REV: D
FOUR PLACE .xxxx ± 0.0001	FAA-PMA		SHEET: 1 OF 1
ANGLES x ± 2°			