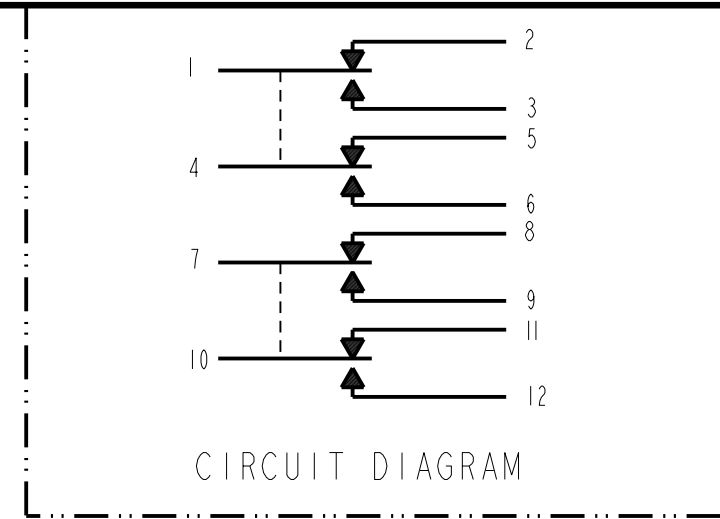
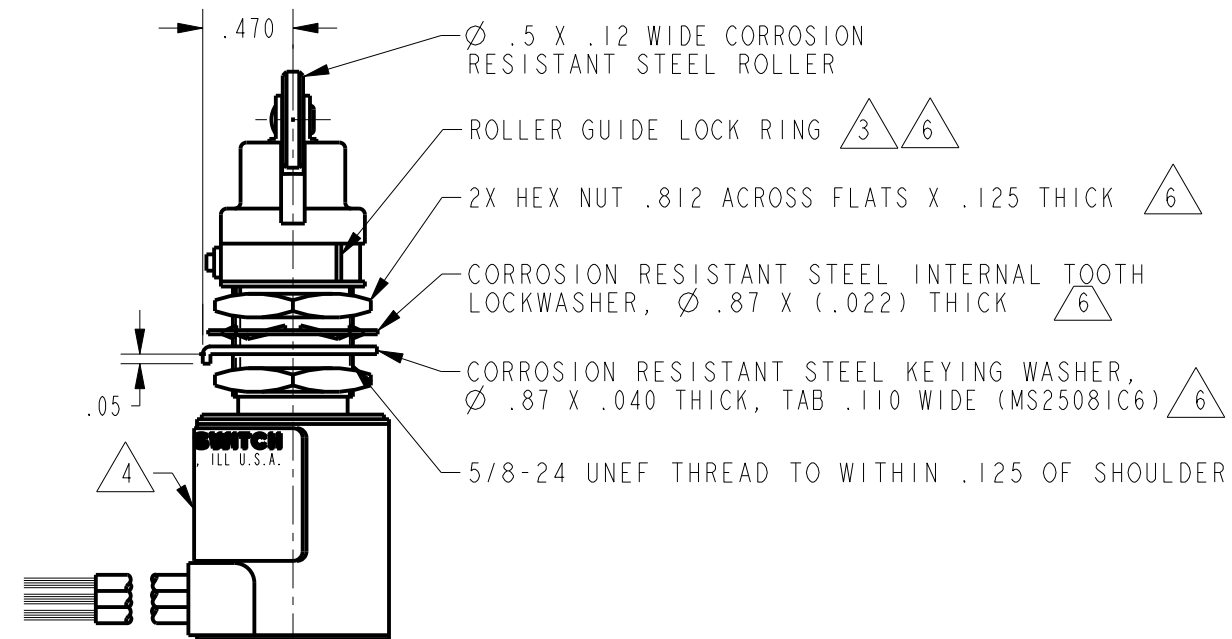
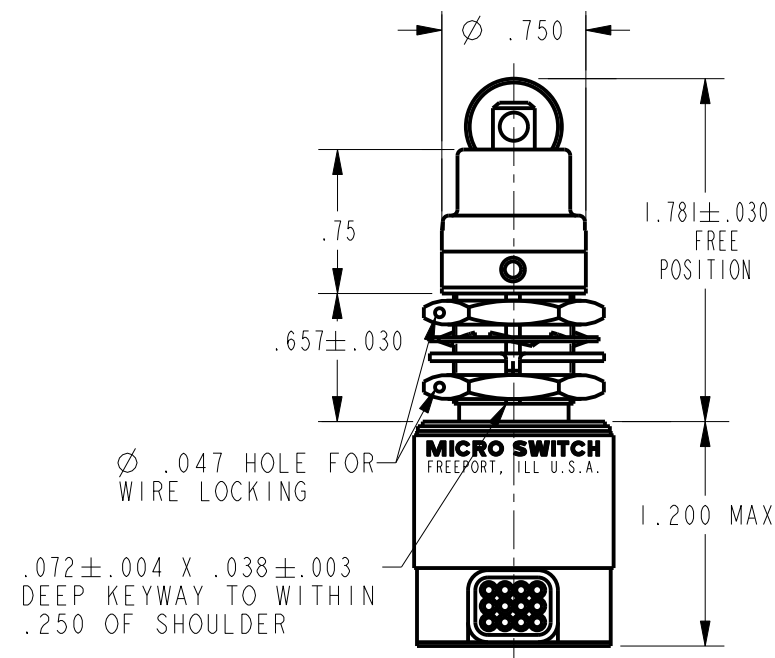
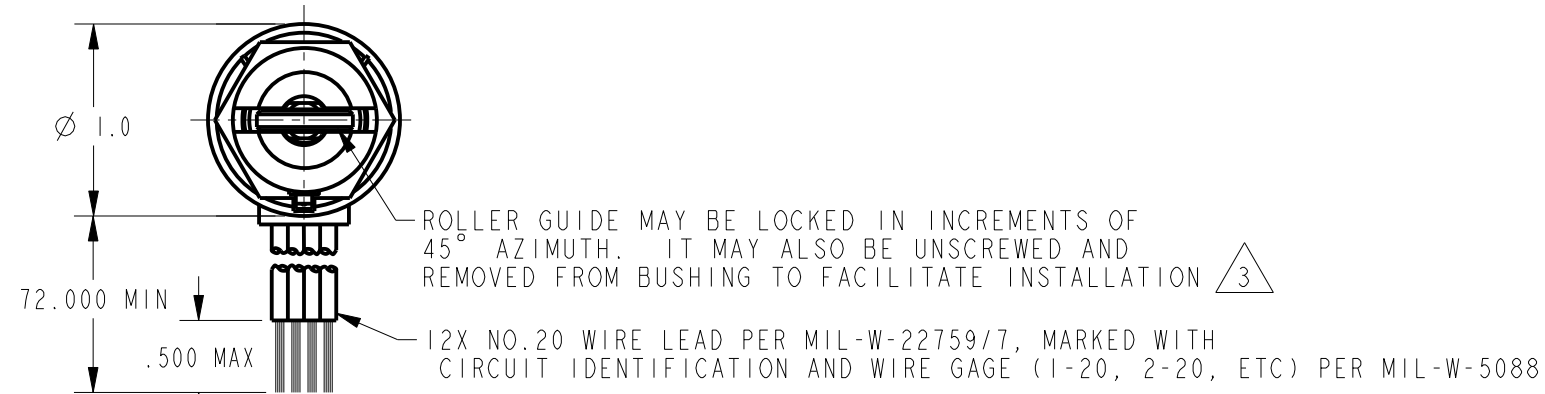


**MICRO SWITCH**  
a Honeywell Division

FED. MFG. CODE 91929

**SWITCH-ENCLOSED**

CATALOG LISTING  
**424HE59-6**



CATALOG LISTING  
 424HE59-6  
 PAGE 1 OF 1  
 ISSUE 5  
 REVISIONS  
 A 201515 6 J W OCT 00  
 B 0006608 KR 21 JUL 04  
 PTC/CAD 2D  
 DRAWN G J W 30 OCT 00  
 CHECK SAV 30 OCT 00  
 CHECK AK 21 JUL 04  
 CHECK 21 JUL 04  
 REPLACES -  
 RELEASE NO. PR-18009

THIS DRAWING COVERS A PROPRIETARY ITEM AND IS THE PROPERTY OF MICRO SWITCH, A DIVISION OF HONEYWELL. THIS DRAWING IS NOT TO BE COPIED OR USED WITHOUT THE APPROVAL OF MICRO SWITCH

CHARACTERISTICS		ELECTRICAL DATA	
OPERATING FORCE -----	6 -12 LB	CONTACT ARRANGEMENT	
FULL OVERTRAVEL FORCE -----	30 LB MAX	4X S P D T	
RELEASE FORCE -----	4 LB MIN	LOAD	28 VDC
PRETRAVEL -----	.040 MAX	RES	SEA LEVEL
DIFFERENTIAL TRAVEL -----	.020 MAX	IND	100,000 FT
OVERTRAVEL -----	.250 MIN		

THIRD ANGLE PROJECTION	
SCALE	FULL
DO NOT SCALE PRINT	
UNLESS OTHERWISE SPECIFIED TOLERANCES ARE	
ONE PLACE	(.0) ±.030
TWO PLACE	(.00) ±.015
THREE PLACE	(.000) ±.005
ANGLES	±
WEIGHT	

- NOTES
- 1 - CORROSION RESISTANT STEEL ENCLOSURE
  - 2 - SWITCH SEALED PER MIL-PRF-8805 SYMBOL 5
  - 3 - TO ADJUST ROLLER DIRECTION, REMOVE ROLLER GUIDE LOCKRING, SCREW ROLLER GUIDE DOWN AS FAR AS POSSIBLE, THEN UNSCREW TO DESIRED DIRECTION SECURE BY REPLACING ROLLER GUIDE LOCKRING
  - 4 - CIRCUIT DIAGRAM AND CATALOG LISTING ARE SHOWN ON NAMEPLATE
  - 5 - COINCIDENCE OF OPERATING AND RELEASING POINTS: .010 INCH OF PLUNGER TRAVEL
  - 6 - HARDWARE MAY BE PACKAGED UNASSEMBLED PER MIL-PRF-8805

ANSI Y14.5M-1982 APPLIES