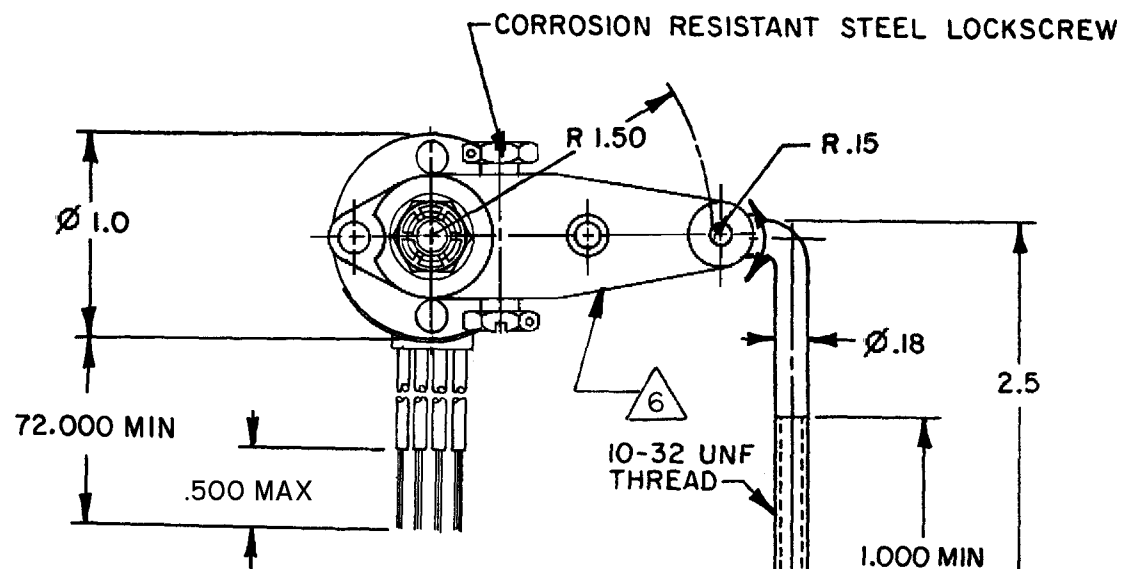


MICRO SWITCH
a Honeywell Division

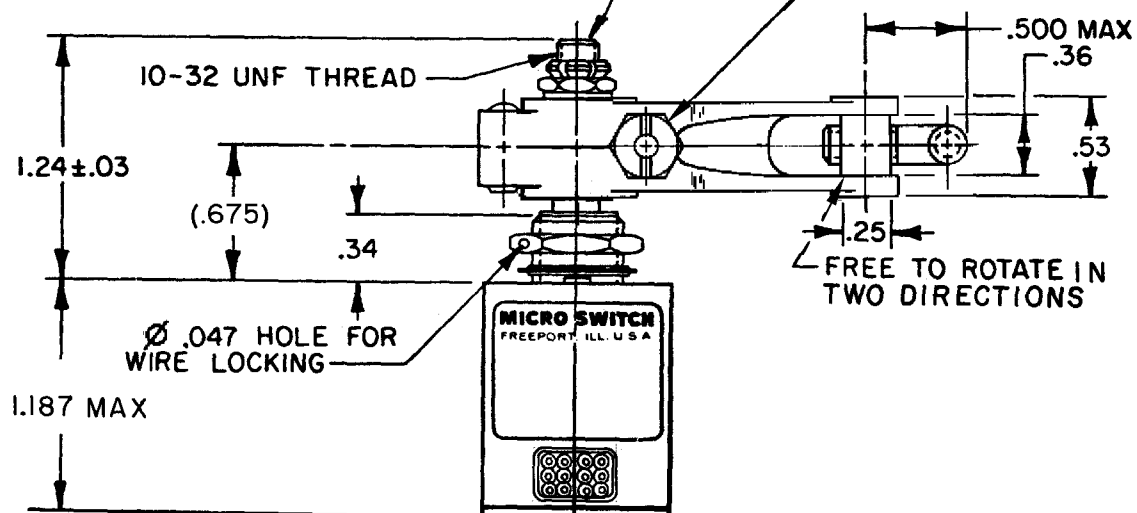
FED. MFG. CODE 91928

SWITCH - ENCLOSED

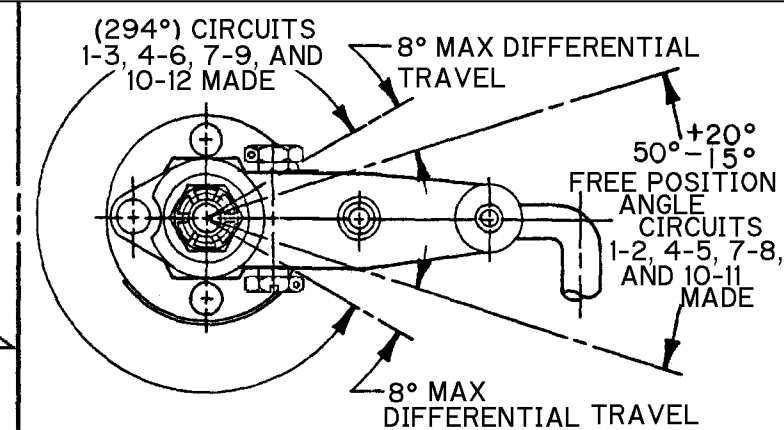
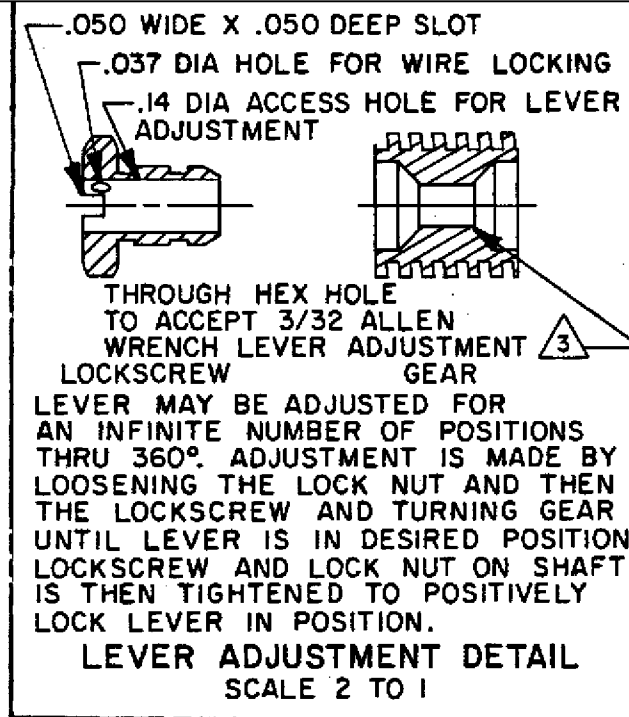
CATALOG LISTING
39EN6-6



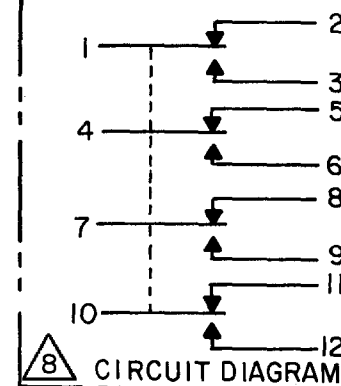
2X 1/4-32 UNEF-2A CORROSION RESISTANT STEEL LOCKING SCREW (.312) ACROSS FLATS



12X NO.20 WIRE LEAD PER MIL-W-22759/7 MARKED WITH CIRCUIT IDENTIFICATION AND WIRE GAGE (1/20,2-20,ETC.) PER MIL-W-5088

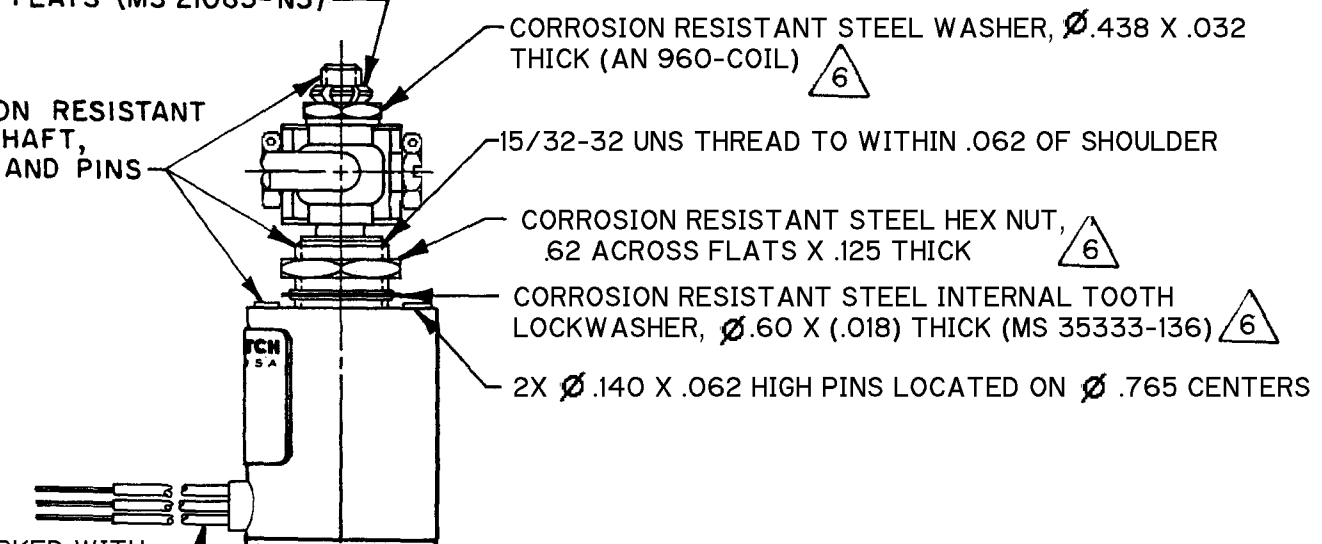


TRAVEL CHARACTERISTICS



CORROSION RESISTANT STEEL LOCKING NUT, .37 ACROSS FLATS (MS 21083-N3)

CORROSION RESISTANT STEEL SHAFT, BUSHING AND PINS



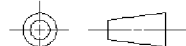
NOTES

- 1 - CORROSION RESISTANT STEEL ENCLOSURE
- 2 - SWITCH SEALED PER MIL-PRF-8805, SYMBOL 4
- 3 - CIRCUIT DIAGRAM AND CATALOG LISTING ARE SHOWN ON NAMEPLATE
- 4 - UNIT PROVIDES NO SHAFT RESTORING TORQUE, THE ACTUATING DEVICE MUST CONTROL MOVEMENT OF THE SHAFT
- 5 - DO NOT APPLY MORE THAN 20-25 INCH-POUNDS OF TORQUE WHEN TIGHTENING LOCKING NUT
- 6 - HARDWARE MAY BE PACKAGED UNASSEMBLED PER MIL-PRF-8805
- 7 - SILVER PROJECTION, GOLD PLATED CONTACTS
- 8 - CIRCUITS ILLUSTRATED IN FREE POSITION ANGLE

ANSI Y114.5M-1982 APPLIES

THIS DRAWING COVERS A PROPRIETARY ITEM AND IS THE PROPERTY OF MICRO SWITCH, A DIVISION OF HONEYWELL. THIS DRAWING IS NOT TO BE COPIED OR USED WITHOUT THE APPROVAL OF MICRO SWITCH

THIRD ANGLE PROJECTION



CHARACTERISTICS
OPERATING FORCE ----- 3 IN LB MAX

ELECTRICAL DATA
CONTACT ARRANGEMENT
4X S P D T

SCALE FULL

DO NOT SCALE PRINT

PRETRAVEL
DIFFERENTIAL TRAVEL
OVERTRAVEL
FREE POSITION
SEE DETAIL

LOAD	28 VDC	
	SEA LEVEL	50,000 FT
RES	7	7
IND	4	2.5
MOTOR	4	

UNLESS OTHERWISE SPECIFIED TOLERANCES ARE
ONE PLACE (.0) ±.030
TWO PLACE (.00) ±.015
THREE PLACE (.000) ±.005
ANGLES ±

WEIGHT 12.0 OZ MAX

CATALOG LISTING
39EN6-6

PAGE 1 OF 1

REPLACES

RELEASE NO. PR-24309

CHECK

CHECK

J A F

CHECK

J J A

26 AUG 99

FORMTEK

DRAWN

ISSUE

2

REVISIONS

A RELEASE PR24309
J J A
24 SEP 99