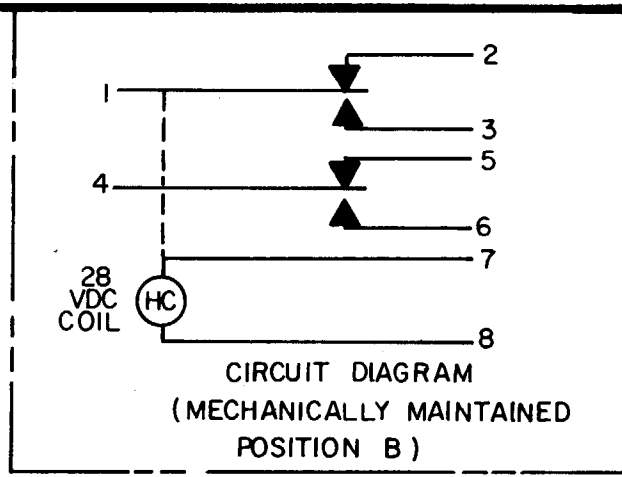


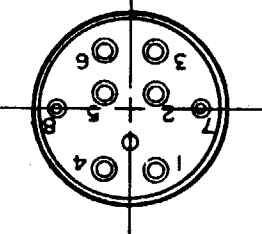
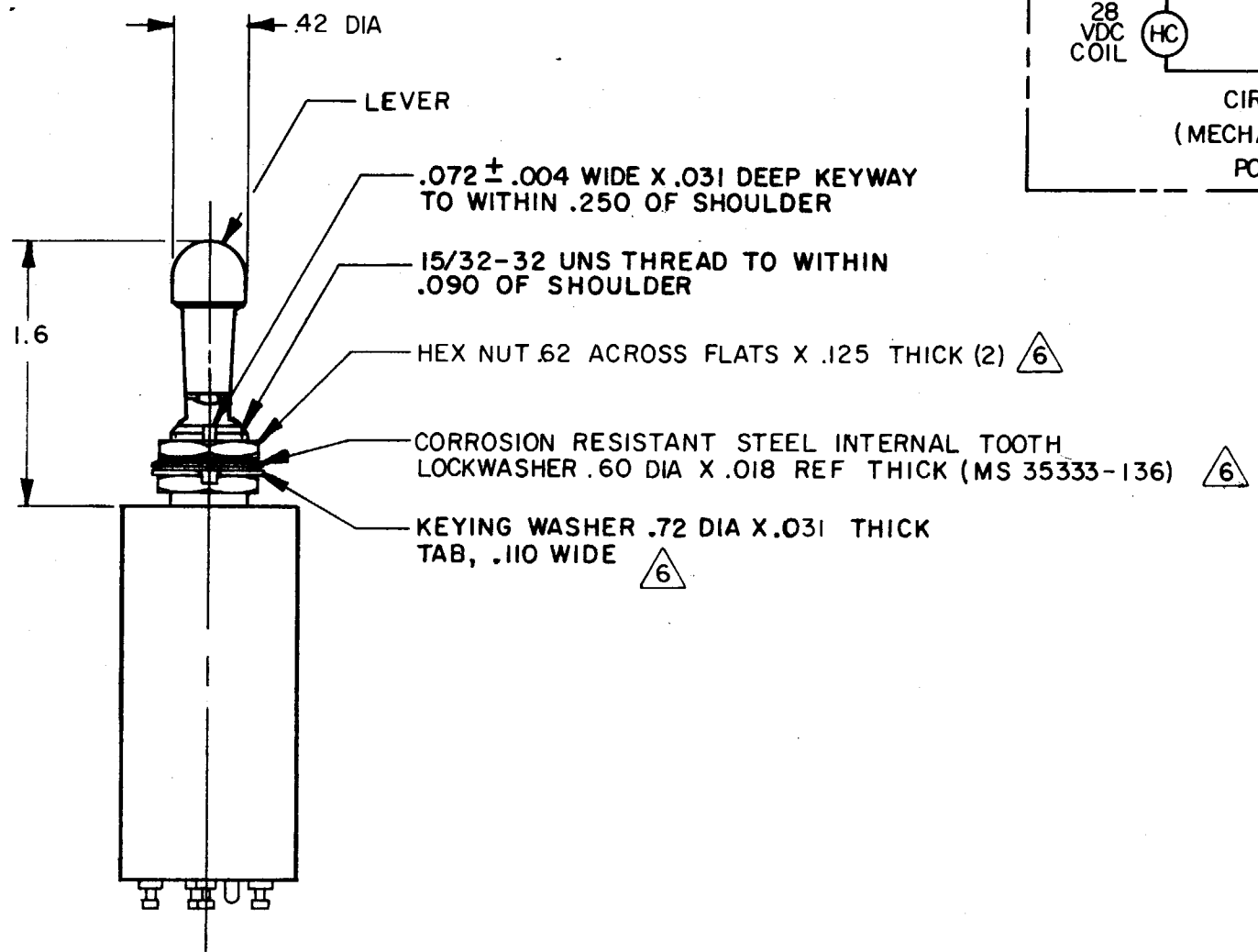
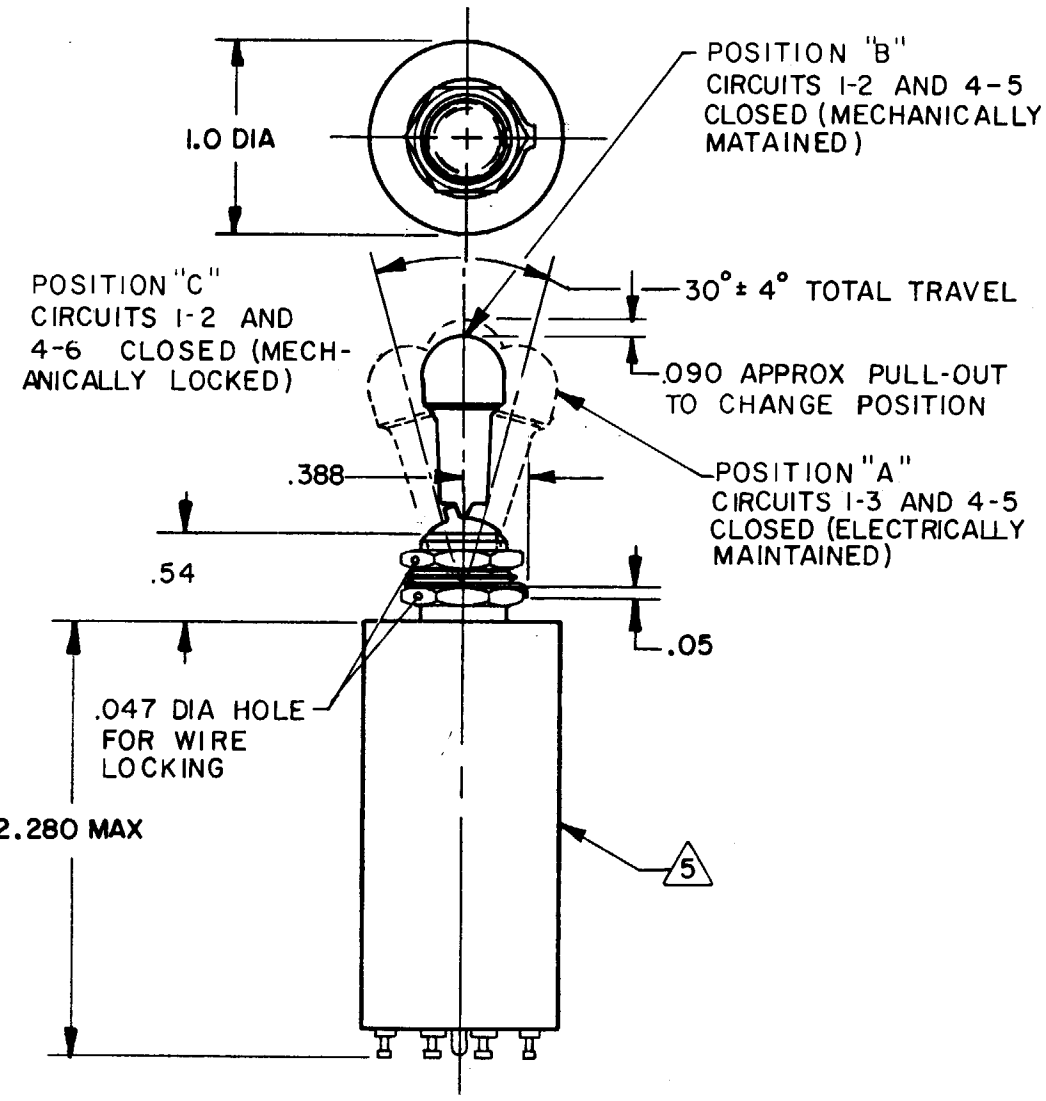
MICRO SWITCH
 FREEPORT, ILLINOIS, U.S.A.
 A DIVISION OF HONEYWELL
 FED. MFG. CODE 91929

**SWITCH TOGGLE
 (MAGNETIC HOLD IN)**

CATALOG LISTING
27ET61-T-M
 MILITARY STANDARD PART NO
 M 5594/6-1M



27ET61-T-M
 M
 DRAWING NUMBER
 X X
 ISSUE
 3
 REVISIONS
 A 064454
 9 MAM DEC 88
 B 207732
 21 GLH MAR 03
 FO-2281-B
 DRAWN
 GJW
 31 OCT 83
 CHECK
 KAG
 31 OCT 83
 CHECK
 KAG
 31 OCT 83
 CHECK
 PR-12506
 RELEASE NO.
 REPLACES



- NOTES
- 1 EXPOSED PARTS ARE OF CORROSION RESISTANT MATERIAL OR ARE SUITABLE PROTECTED TO PREVENT CORROSION. ENCLOSURE FINISHED WITH BLUE EPOXY BASED ENAMEL COLOR NO. 25184 PER FEDERAL STANDARD 595
 - 2 SWITCH SEALED PER MIL-S-5594
 - 3 $\triangle 3$ HOLD IN VOLTAGE: TIN MINIMUM SPECIFIED VOLTAGE AT WHICH THE LEVER WILL REMAIN ACTUATED. HOLD IN MAY OCCUR AT A LOWER VALUE. DROP OUT VOLTAGE: THE VOLTAGE RANGE IN WHICH THE LEVER WILL BE RELEASED
 - 4 CIRCUITS CAN BE TRANSFERRED MANUALLY. ENERGIZING THE COIL WILL NOT CAUSE TRANSFER OF CIRCUITS
 - 5 $\triangle 5$ CIRCUIT IDENTIFICATION IS SHOWN ON SWITCH
 - 6 $\triangle 6$ HARDWARE MAY BE FURNISHED UNASSEMBLED PER MIL-S-5594

THIS DRAWING COVERS A PROPRIETARY ITEM AND IS THE PROPERTY OF MICRO SWITCH, A DIVISION OF HONEYWELL. THIS DRAWING IS NOT TO BE COPIED OR USED WITHOUT THE APPROVAL OF MICRO SWITCH.		SCALE FULL	
CHARACTERISTICS $\triangle 3$		ELECTRICAL DATA	
SOLENOID RATING AT 20° C		CONTACT ARRANGEMENT	
STEADY STATE LIMITS ----- 20-29 VDC		S P D T (2)	
HOLD IN ----- 15 VDC		RATING IN AMPERES	
DROP OUT ----- 0-15 VDC		SEA LEVEL 65,000 FT	
OPERATING FORCE ----- 7 LBS MAX		RES IND MOTOR RES IND MOTOR	
OVERRIDE FORCE AT 29 VDC ----- 10 LBS MAX		28 VOLTS DC 7 2 5 15	
COIL RESISTANCE ----- 220 OHM MIN			
		WEIGHT 6.0 OZ MAX	

TOLERANCES			
APPLY TO DESIGN UNITS. CONVERSIONS ARE ONLY FOR REFERENCE. UNLESS NOTED, TOLERANCES ARE ±			
DIM.	TOL.	DIM.	TOL.
mm	mm/in	in	mm/in
NO PLACES	X	1/64	X X
ONE PLACE	X, X	0.01/018	X X
TWO PLACES	X, XX	0.15/008	X, XX
THREE PLACES	X, XXX	0.001/018	X, XXX
ANGLES	X, XXX	0.15/008	X, XXX
DESIGN UNITS		THIRD ANGLE PROJECTION	
SI METRIC <input type="checkbox"/>		US CUSTOMARY <input checked="" type="checkbox"/>	