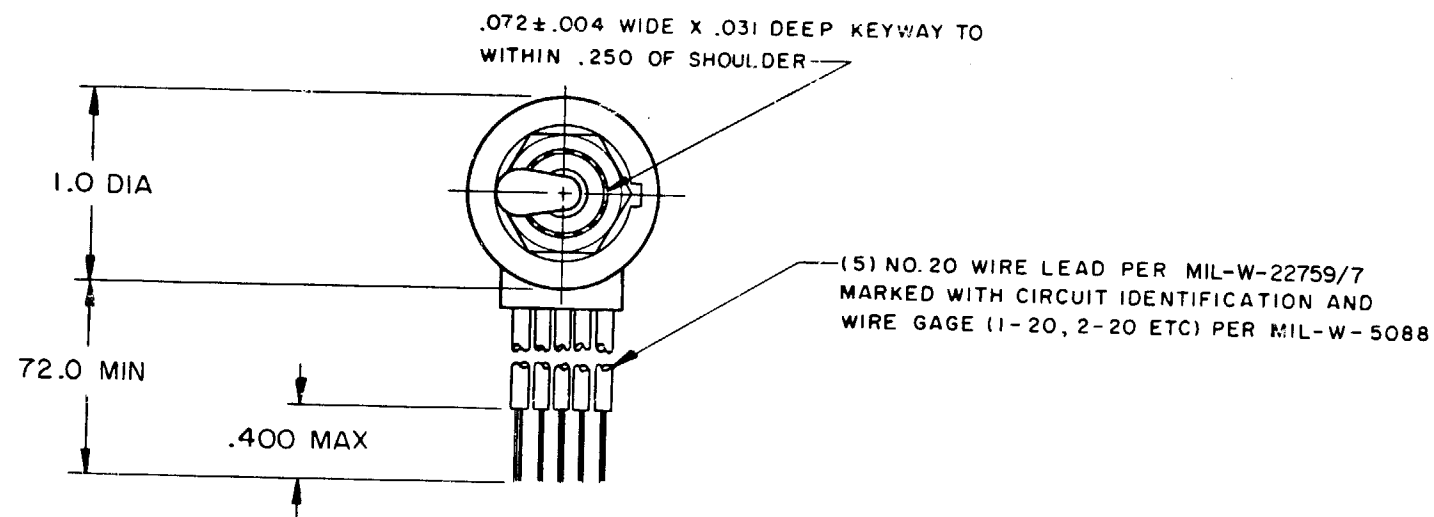


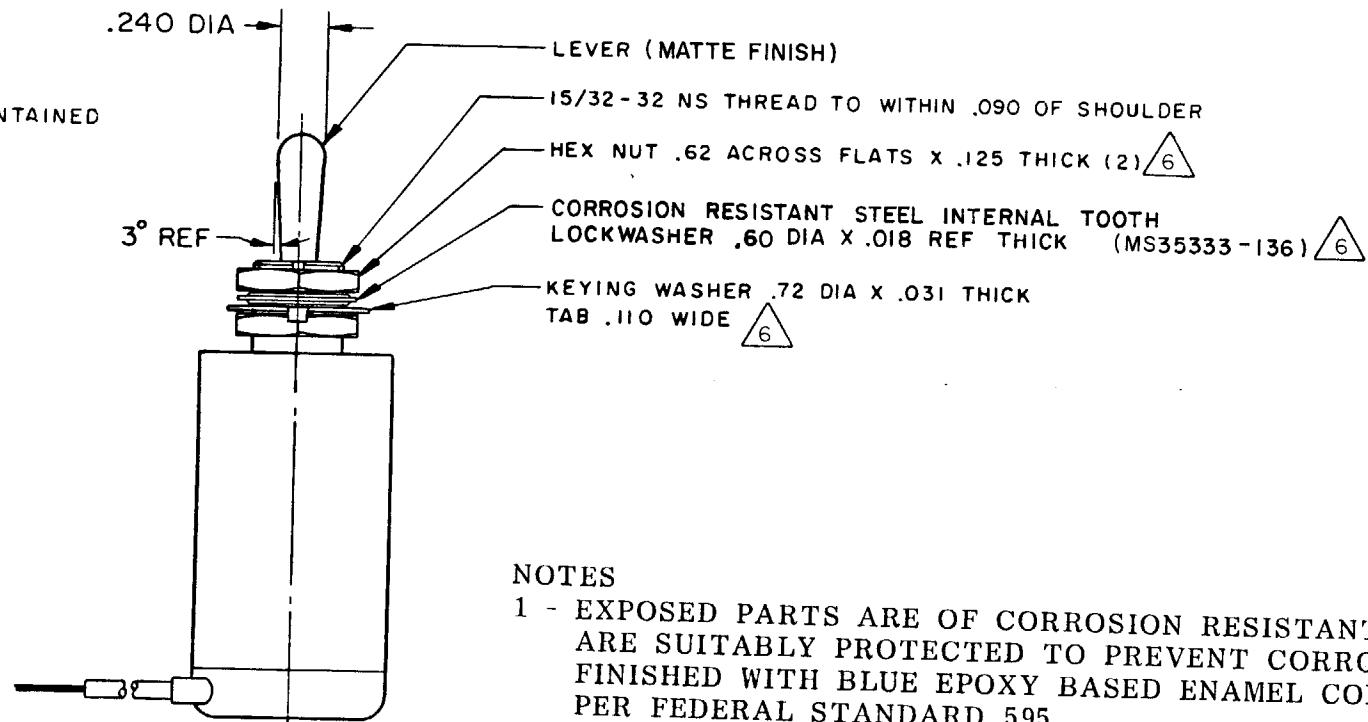
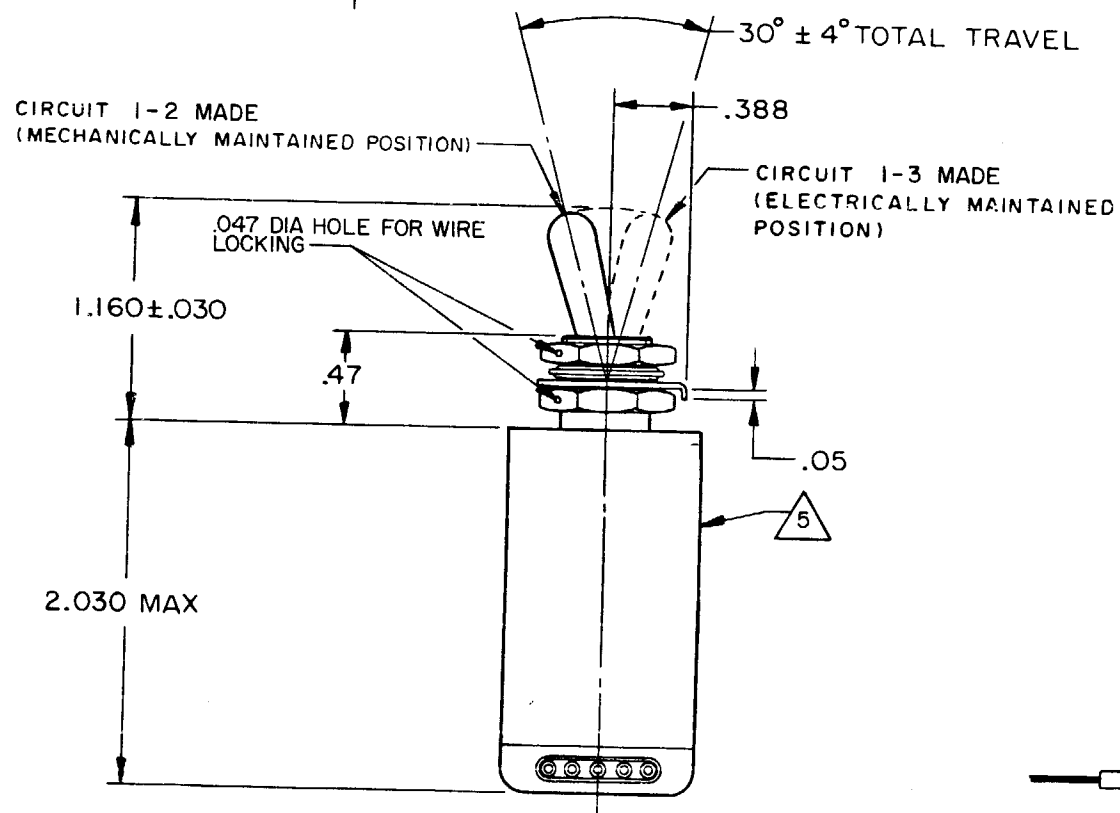
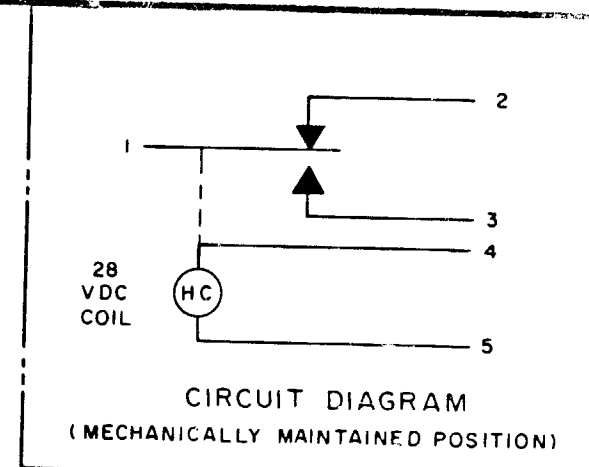
MICRO SWITCH
A DIVISION OF MINNEAPOLIS HONEYWELL REGULATOR COMPANY
PREEPOTE, ILLINOIS

**SWITCH - TOGGLE
(MAGNETIC HOLD-IN)**

CATALOG LISTING
25ET1-6



(5) NO. 20 WIRE LEAD PER MIL-W-22759/7 MARKED WITH CIRCUIT IDENTIFICATION AND WIRE GAGE (1-20, 2-20 ETC) PER MIL-W-5088



NOTES

- 1 - EXPOSED PARTS ARE OF CORROSION RESISTANT MATERIAL OR ARE SUITABLY PROTECTED TO PREVENT CORROSION. ENCLOSURE FINISHED WITH BLUE EPOXY BASED ENAMEL COLOR NO. 25184 PER FEDERAL STANDARD 595
- 2 - SWITCH SEALED PER MIL-S-5594
- 3 - HOLD IN VOLTAGE: THE MINIMUM SPECIFIED VOLTAGE AT WHICH THE LEVER WILL REMAIN ACTUATED: HOLD IN MAY OCCUR AT A LOWER VALUE. DROP OUT VOLTAGE THE VOLTAGE RANGE IN WHICH THE LEVER WILL BE RELEASED
- 4 - CIRCUITS CAN BE TRANSFERRED MANUALLY. ENERGIZING THE COIL WILL NOT CAUSE TRANSFER OF CIRCUITS
- 5 - CIRCUIT IDENTIFICATION IS SHOWN ON SWITCH
- 6 - HARDWARE MAY BE FURNISHED UNASSEMBLED PER MIL-S-5594

THIS DRAWING COVERS A PROPRIETARY ITEM AND IS THE PROPERTY OF MICRO SWITCH, A DIVISION OF MINNEAPOLIS-HONEYWELL REGULATOR CO. THIS DRAWING IS NOT TO BE COPIED OR USED WITHOUT THE APPROVAL OF MICRO SWITCH.

CHARACTERISTICS		ELECTRICAL DATA				SCALE FULL	
SOLENOID RATING AT 20° C		CONTACT ARRANGEMENT				DO NOT SCALE PRINT	
STEADY STATE LIMITS-----20-29 VDC		SPDT				UNLESS OTHERWISE SPECIFIED DIMENSIONS ARE IN INCHES	
HOLD IN-----10 VDC		RATING IN AMPERES				TOLERANCES ARE:	
DROP OUT-----0-10 VDC		SEA LEVEL		65,000 FT		ONE PLACE (.0) ±.030	
COIL RESISTANCE-----220 OHM MIN		INRUSH RES/IND/MOTOR		INRUSH RES/IND/MOTOR		TWO PLACE (.00) ±.015	
OPERATING FORCE-----7 LBS MAX		20 VOLTS DC		20 VOLTS DC		THREE PLACE (.000) ±.005	
OVERRIDE FOR AT 30 VDC-----10 LBS MAX						ANGLES ±	
						WEIGHT 8.5 OZ MAX	

25ET1-6
 M
 DRAWING NUMBER
 X
 4
 REVISIONS
 A CO 50162 WJM 24 SEP 81
 B CO51725-E R J H 25 JAN 83
 C CO 53402 D J S 14 APR 84
 R C R 8 SEPT 71 CHECK DRAW 18 SEPT 71 CHECK CMA 20 SEPT 71 CHECK
 FO-80378-003
 RELEASE NO. PR-2240-T
 REPLACES