

MICRO SWITCH
 FREEPORT ILL. NOIS. U.S.A.
 A DIVISION OF HONEYWELL
 FED MFG CODE 91929

SWITCH - ENCLOSED

CATALOG LISTING
21EN191-5

21EN191-5

M

DRAWING NUMBER

ISSUE
 M 12 13

REVISIONS

A	C044351	D J W	24 OCT 79
B	C047573 PART 4	R J H	12 AUG 80
C	C057370	J A P	15 MAY 85
D	C074101	G J W	19 JAN 93
E	778048	R J H	13 MAY 94

REPLACES

SR-12349

CHECK

CHECK

CHECK

CHECK

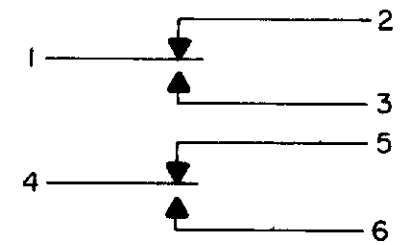
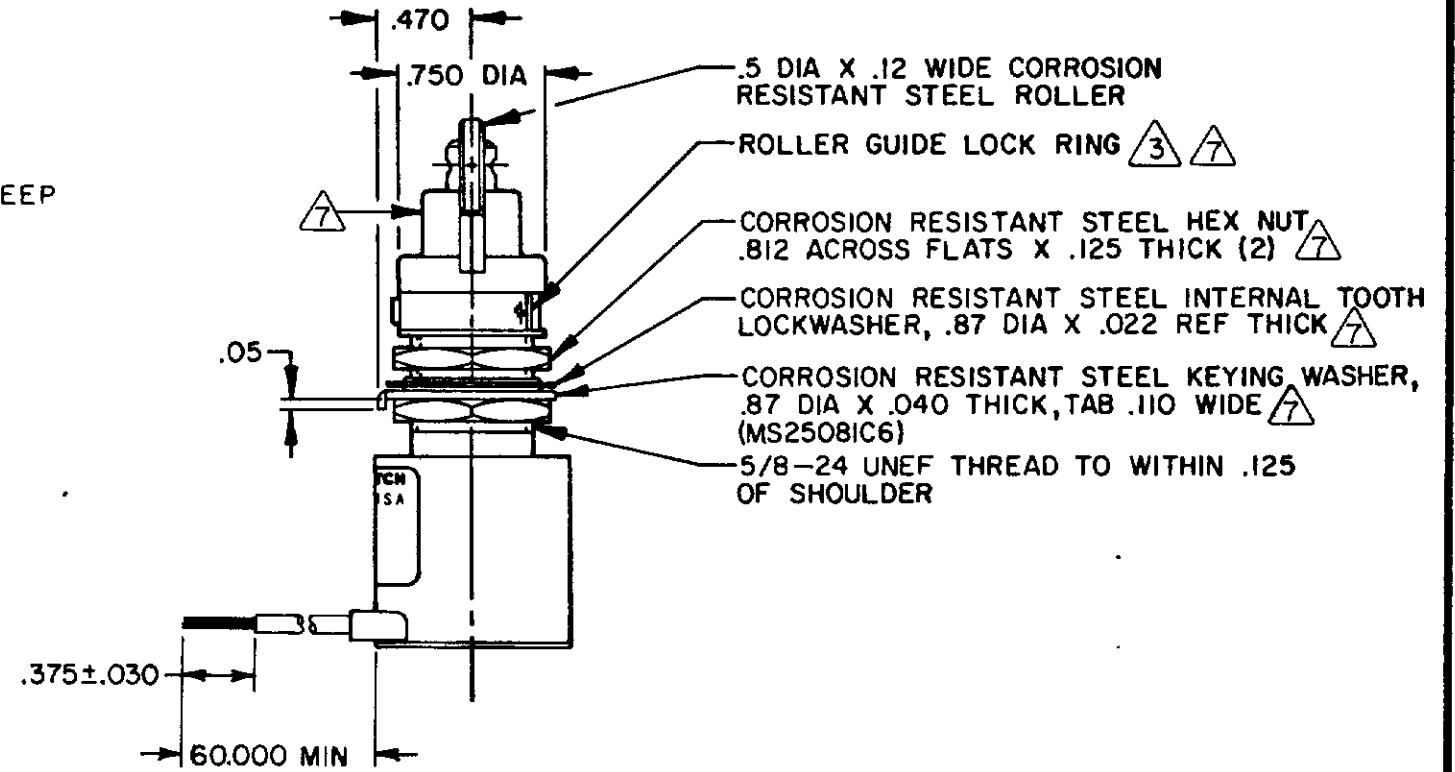
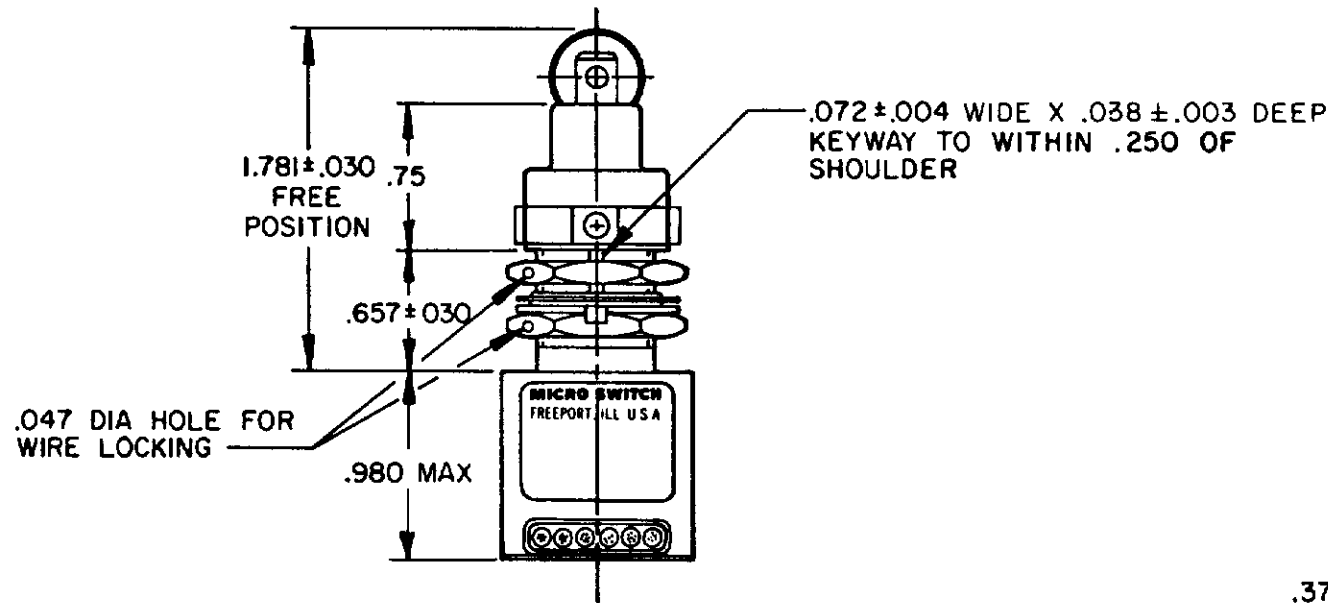
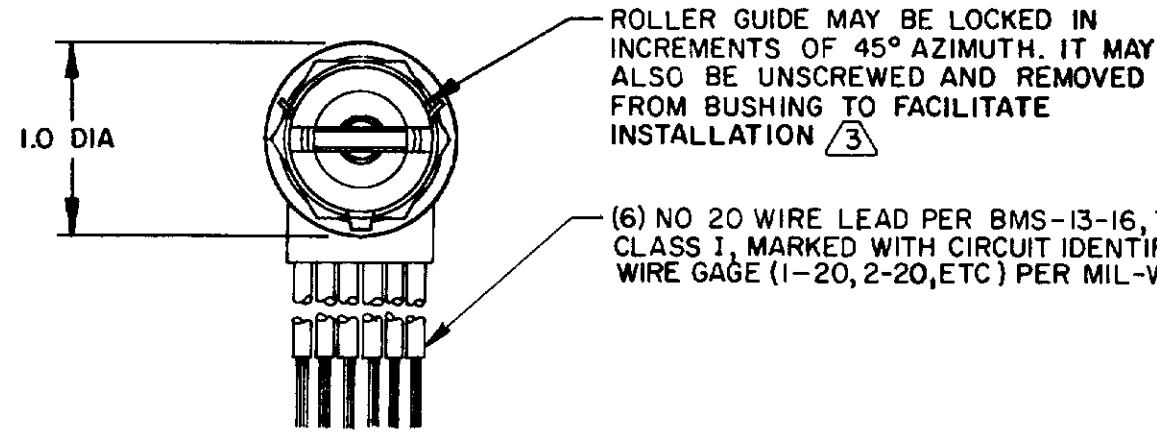
CHECK

CHECK

CHECK

CHECK

CHECK



CIRCUIT DIAGRAM

- NOTES**
- 1 - CORROSION RESISTANT STEEL ENCLOSURE
 - 2 - SWITCH SEALED PER MIL-S-8805 SYMBOL 4
 - 3 - TO ADJUST ROLLER DIRECTION, REMOVE ROLLER GUIDE LOCK RING, SCREW ROLLER GUIDE DOWN AS FAR AS POSSIBLE, THEN UNSCREW TO DESIRED DIRECTION. SECURE BY REPLACING ROLLER GUIDE LOCK RING
 - 4 - COINCIDENCE OF OPERATING AND RELEASING POINTS: .010 OF PLUNGER TRAVEL
 - 5 - CIRCUIT DIAGRAM AND CAT. LIST. ARE SHOWN ON NAMEPLATE
 - 6 - REPLACEMENT LOCKRING-PACKET 15PA137
 - 7 - HARDWARE MAY BE PACKAGED UNASSEMBLED PER MIL-S-8805

THIS DRAWING COVERS A PROPRIETARY ITEM AND IS THE PROPERTY OF MICRO SWITCH, A DIVISION OF HONEYWELL. THIS DRAWING IS NOT TO BE COPIED OR USED WITHOUT THE APPROVAL OF MICRO SWITCH

THIRD ANGLE PROJECTION

SCALE FULL

DO NOT SCALE PRINT

TOLERANCES
 APPLY TO DESIGN UNITS. CONVERSIONS ARE ONLY FOR REFERENCE. UNLESS NOTED, TOLERANCES ARE 2

NO PLACES	DESIGN UNITS	TOL.	DESIGN UNITS	TOL.
ONE PLACE	IN	1/64	MM	0.0125
TWO PLACES	IN	0.0010	MM	0.0075
THREE PLACES	IN	0.0005	MM	0.0038

DESIGN UNITS SI METRIC US CUSTOMARY

RAW MATERIAL-COMMERCIAL STANDARD
 MICRO SWITCH STANDARDS APPLY
 DIMENSIONS ARE TO BE MET BEFORE
 PROTECTIVE COATINGS ARE APPLIED

WEIGHT 7.1 OZ MAX

CHARACTERISTICS	
OPERATING FORCE	6-12 LB
FULL OVERTRAVEL FORCE	30 LB MAX
RELEASE FORCE	4 LB MIN
PRETRAVEL	.040 MAX
DIFFERENTIAL TRAVEL	.020 MAX
OVERTRAVEL	.250 MIN

ELECTRICAL DATA	
CONTACT ARRANGEMENT	
SPDT (2)	
28 VDC	
LOAD	SEA LEVEL
RES	4
IND	2
MOTOR	4
LAMP	

FO-52851-A

DRAWN

D J W 25 OCT 79