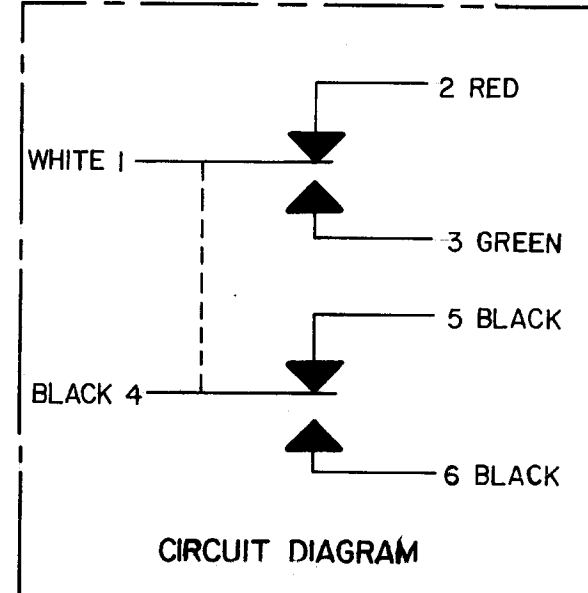
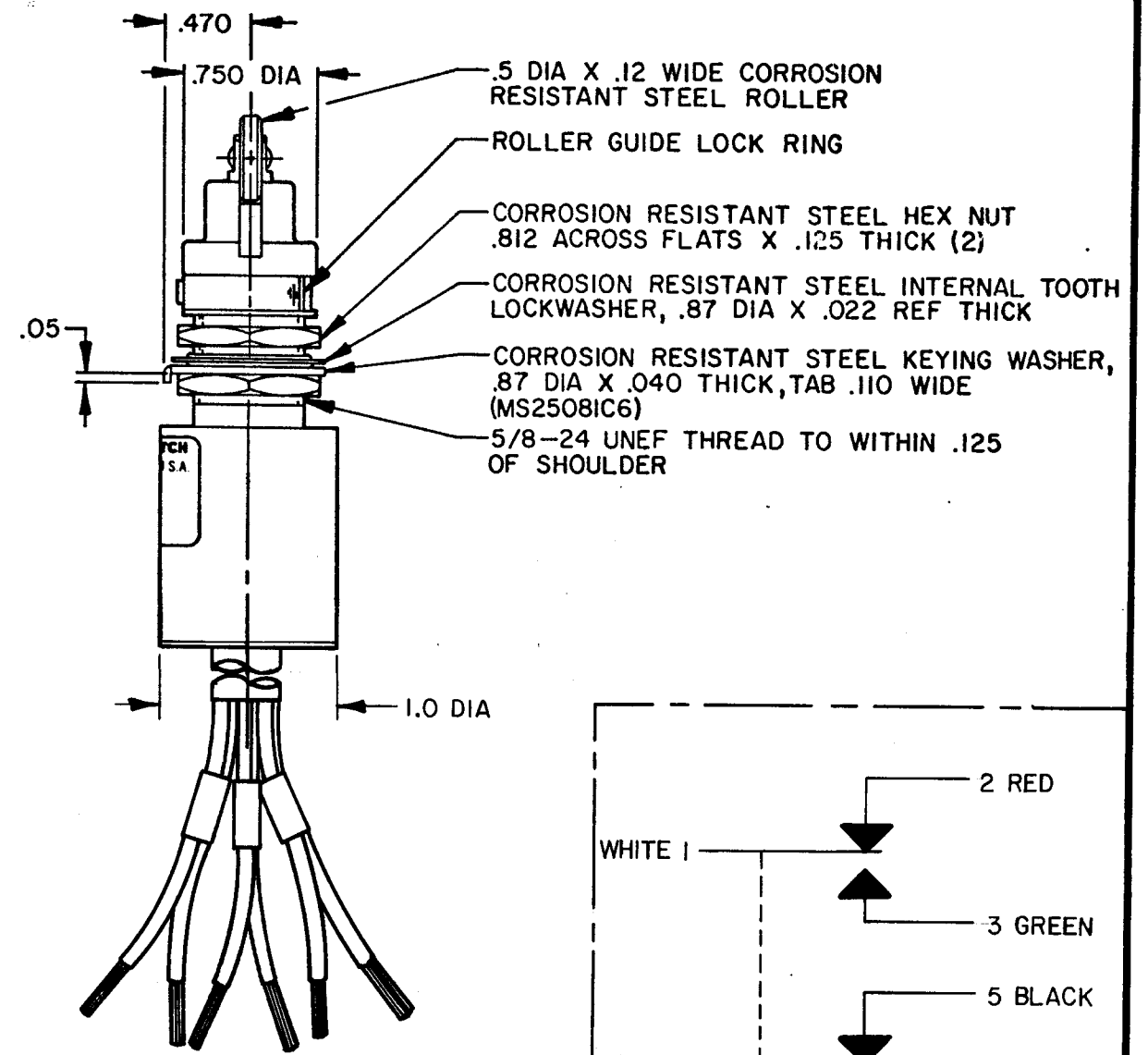
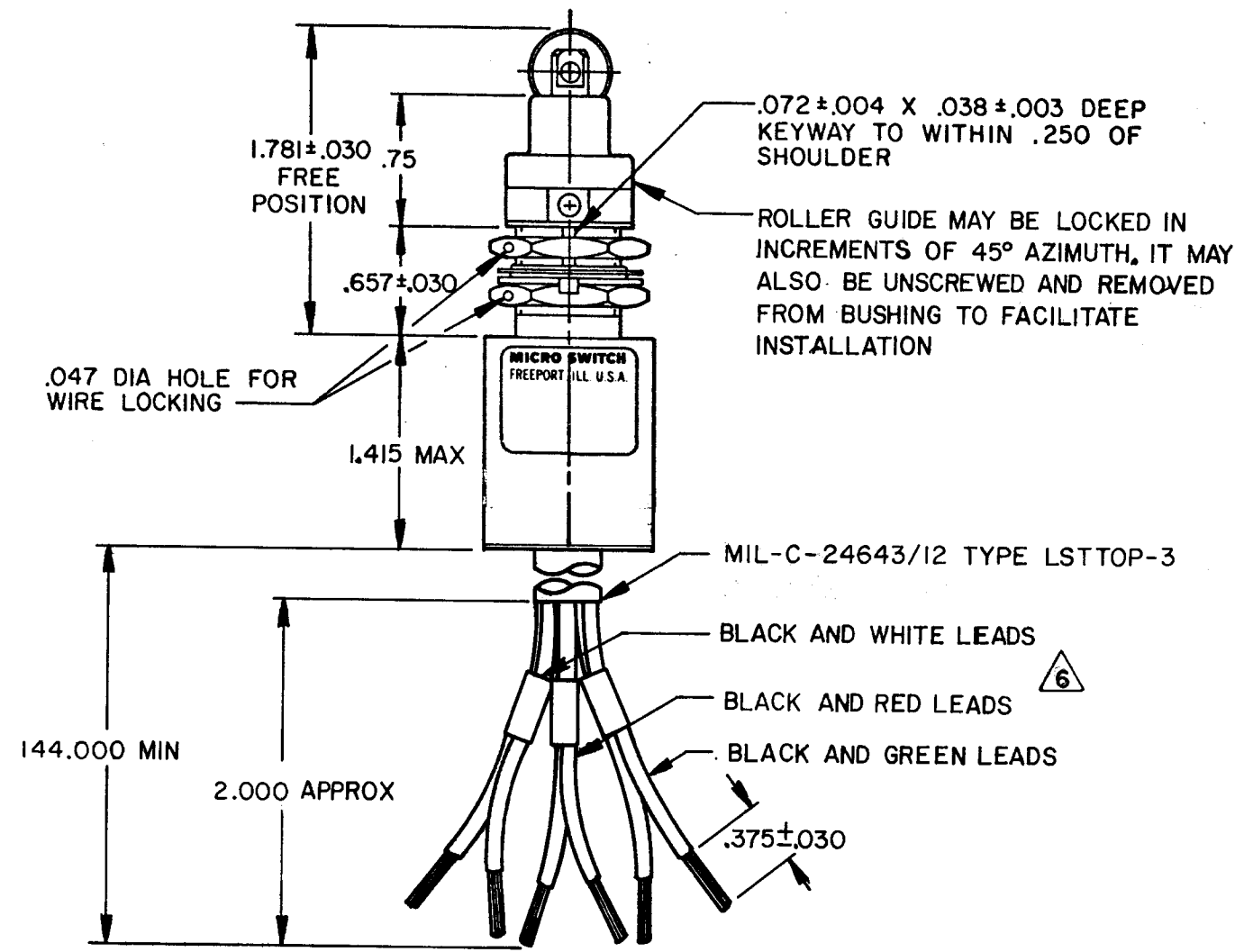


**MICRO SWITCH**  
 FREEPORT, ILLINOIS, U.S.A.  
 A DIVISION OF HONEYWELL  
 FED. MFG. CODE 91929

**SWITCH-ENCLOSED**

CATALOG LISTING  
**21EN19**

REPLACES  
**M 21EN19**  
 DRAWING NUMBER  
 ISSUE  
 2021  
 REVISIONS  
 A CO44351 JEF 11 SEPT 79  
 B CO62440 JAS 18 NOV 87  
 C CO74101 DAW 10 FEB 93  
 CO 77504 C DLT 27 JUL 94  
 CHECK CEB 13 SEPT 79  
 CHECK CEB 13 SEPT 79  
 DRAWN JEF 11 SEPT 79  
 FO-52851-B



- NOTES**
- 1 - CORROSION RESISTANT STEEL ENCLOSURE
  - 2 - SWITCH SEALED PER MIL-S-8805 SYMBOL 4
  - 3 - TO ADJUST ROLLER DIRECTION, REMOVE ROLLER GUIDE LOCK RING SCREW ROLLER GUIDE DOWN AS FAR AS POSSIBLE, THEN UNSCREW TO DESIRED DIRECTION. SECURE BY REPLACING ROLLER GUIDE LOCK RING
  - 4 - COINCIDENCE OF OPERATING AND RELEASING POINTS: .010 OF PLUNGER TRAVEL
  - 5 - CIRCUIT DIAGRAM AND CATALOG LISTING ARE SHOWN ON NAMEPLATE
- 6 WHITE LEAD AND COMMON BLACK LEAD ARE PAIRED TOGETHER  
 RED LEAD AND N.C. BLACK LEAD ARE PAIRED TOGETHER  
 GREEN LEAD AND N.O. BLACK LEAD ARE PAIRED TOGETHER

THIS DRAWING COVERS A PROPRIETARY ITEM AND IS THE PROPERTY OF MICRO SWITCH, A DIVISION OF HONEYWELL. THIS DRAWING IS NOT TO BE COPIED OR USED WITHOUT THE APPROVAL OF MICRO SWITCH.

CHARACTERISTICS		ELECTRICAL DATA	
OPERATING FORCE	6-12 LB	CONTACT ARRANGEMENT	
DIFFERENTIAL FORCE	30 LB MAX	S P D T (2)	
RELEASE FORCE	4 LB MIN	LOAD	28 VDC
PRETRAVEL	.040 MAX	RES	SEA LEVEL 4 50,000 FT. 4
DIFFERENTIAL TRAVEL	.020 MAX	IND	2 2
OVERTRAVEL	.250 MIN	MOTOR	4

**SCALE FULL**

**DO NOT SCALE PRINT**

**TOLERANCES**  
 APPLY TO DESIGN UNITS. CONVERSIONS ARE ONLY FOR REFERENCE. UNLESS NOTED, TOLERANCES ARE ±

DIM.	TOL.	DIM.	TOL.
mm	mm/in	in	mm/in
NO PLACES	X	1/04	X X
ONE PLACE	X,X	0.47/016	X X
TWO PLACES	X,X,X	0.157/008	X X X
THREE PLACES	X,X,X,X		X X X X
ANGLES			

DESIGN UNITS  SI METRIC  US CUSTOMARY

**THIRD ANGLE PROJECTION**

**WEIGHT 25.0 OZ. MAX**