

MICRO SWITCH
a Honeywell Division

FED. MFG. CODE 91929

SWITCH - ENCLOSED

CATALOG LISTING

21CX 22CX

SERIES CHART 5

CONVERSION CHART

7,29	.287
7,92	.312
8,33*0,05	.328*.002
8,5	.33
9,4	.37
9,50	.374
12,7	.50
17,8	.70
18,3	.72
20,3	.80
25,4	1.00
29,5*1,5	1.161*.059
32,0	1.26
40,0	1.57
50,8	2.00
60,35	2.375
80,0	3.15
97,0	3.82
101,6	4.00
133,0	5.24
145,0	5.71
0,5 Nm	.369 PF
1,25 Kg	2.75 LB

CATALOG LISTING
21CX 22CX
PAGE 1 OF 1
SERIES CHART 5

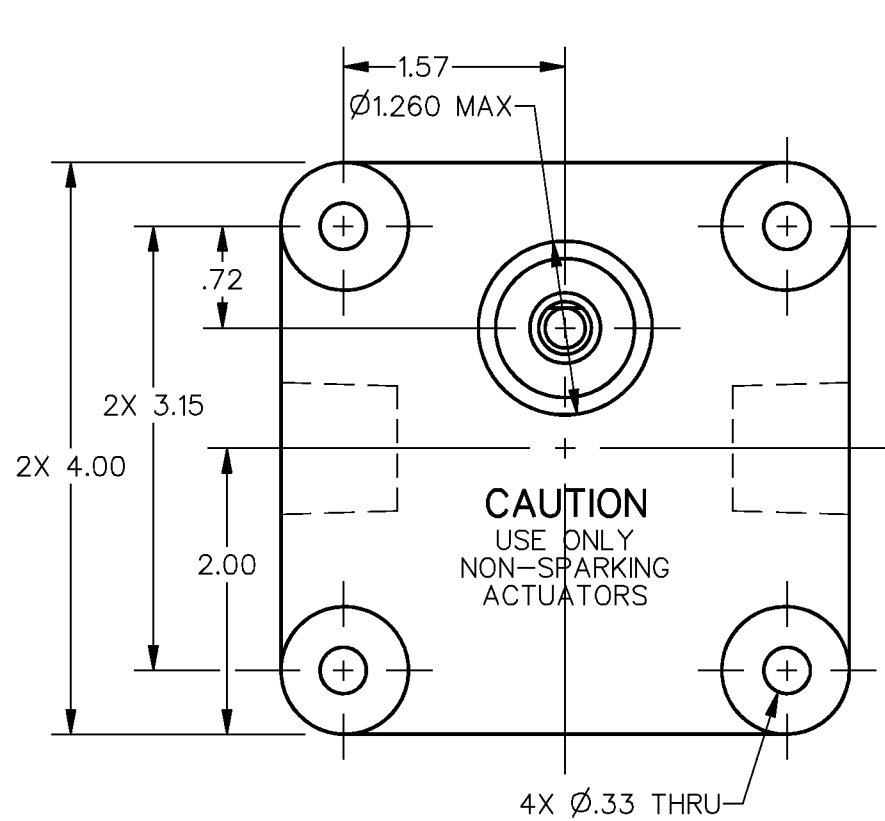
ISSUE
2

REPLACES
PR-22841

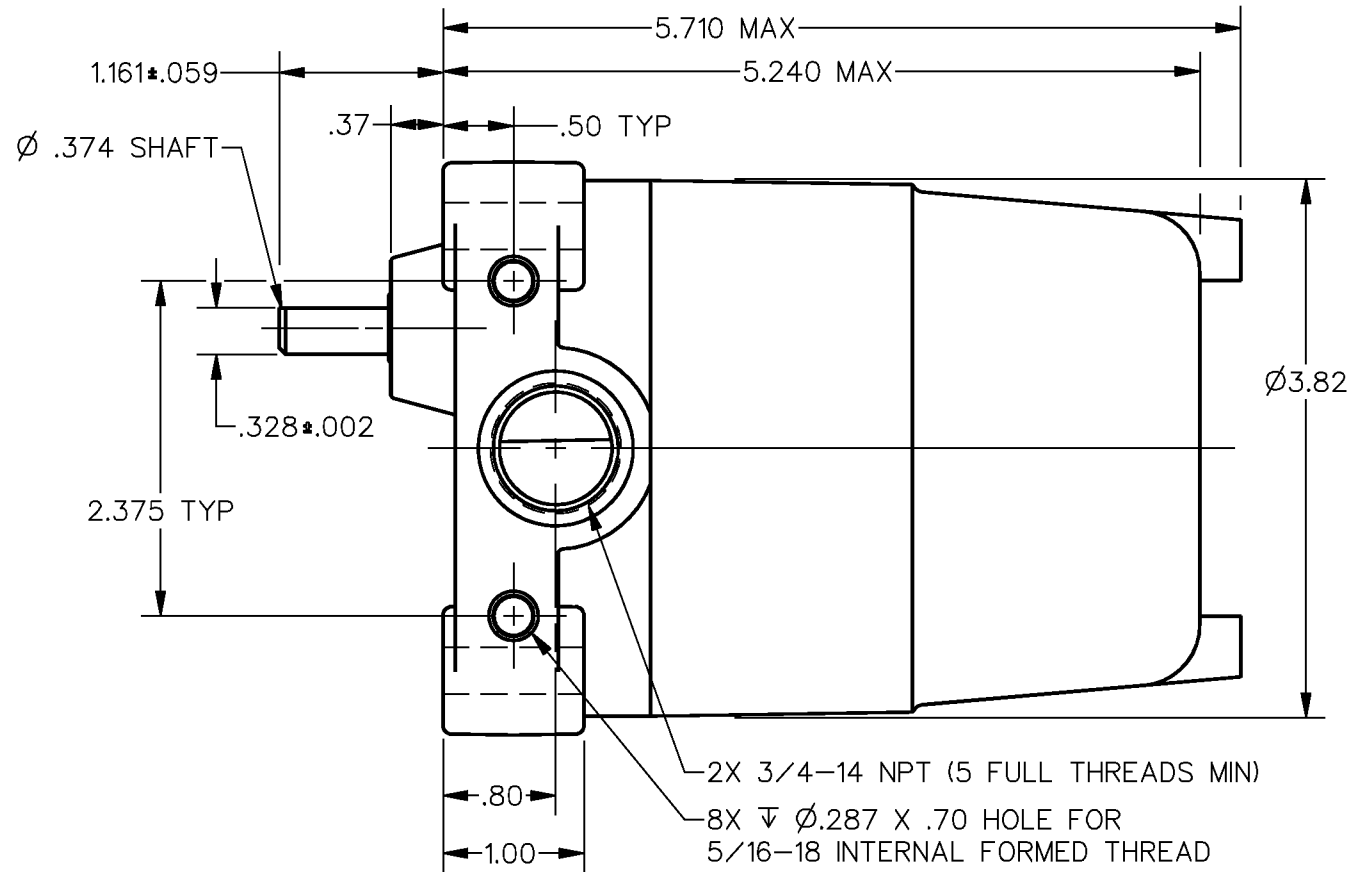
REVISIONS
A C095297
G J W
7 JUL 99

FORMTEK

DRAWN
J A K 10 JUN 97



CAUTION
USE ONLY
NON-SPARKING
ACTUATORS



2X 3/4-14 NPT (5 FULL THREADS MIN)
8X $\nabla \phi .287$ X .70 HOLE FOR
5/16-18 INTERNAL FORMED THREAD

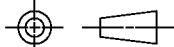
NOTES

- 1 - ALUMINUM ENCLOSURE FINISHED WITH BLUE AND BLACK EPOXY PAINT
- 2 - 6-32 UNC X (.312) PAN HEAD TERMINAL SCREW AND LOCKWASHER (SEMS TERMI-LOX) (3 PER BASIC)
- 3 - CAMS MAY BE REPOSITIONED IN 7°20' INCREMENTS
- 4 - FOR USE IN TEMPERATURES UP TO 85°C
- 5 - EXPLOSION PROOF-UNDERWRITERS LAB INC LISTING FOR HAZARDOUS LOCATIONS CLASS I, GROUPS C, AND D; CLASS II, GROUPS E, F, AND G
- 6 \triangle UNIT PROVIDES NO SHAFT RESTORING FORCE, THE ACTUATING DEVICE MUST CONTROL MOVEMENT OF SHAFT

ANSI Y14.5M-1982 APPLIES

THIS DRAWING COVERS A PROPRIETARY ITEM AND IS THE PROPERTY OF MICRO SWITCH. A DIVISION OF HONEYWELL. THIS DRAWING IS NOT TO BE COPIED OR USED WITHOUT THE APPROVAL OF MICRO SWITCH

THIRD ANGLE PROJECTION



CATALOG LISTING

DESCRIPTION

CHARACTERISTICS	21CX	22CX
OPERATING FORCE	.369 PF MAX	.369 PF MAX
PRETRAVEL	15° MAX	15° MAX
DIFFERENTIAL TRAVEL	10° MAX	10° MAX
OVERTRAVEL	90° MIN	90° MIN

ELECTRICAL DATA
CONTACT ARRANGEMENT S P D T (EACH BASIC)
UL LISTED-FILE E14274
L96
15A 125, 250 OR 480 VAC 1/8HP 125 VAC, 1/4HP 250 VAC 1/2A 125 VDC, 1/4A 250 VDC

SCALE 3/4 : 1																												
DO NOT SCALE PRINT																												
TOLERANCES APPLY TO DESIGN UNITS. CONVERSIONS ARE ONLY FOR REFERENCE. UNLESS NOTED, TOLERANCES ARE ±																												
<table border="1"> <tr> <th>DIM.</th> <th>TOL</th> <th>DIM.</th> <th>TOL</th> </tr> <tr> <td>mm</td> <td>mm/in</td> <td>in</td> <td>mm/in</td> </tr> <tr> <td>NO PLACES</td> <td>X 1/.04</td> <td>XX</td> <td>0.8/.03</td> </tr> <tr> <td>ONE PLACE</td> <td>XX 0.4/.016</td> <td>XXX</td> <td>0.38/.015</td> </tr> <tr> <td>TWO PLACES</td> <td>XXX 0.15/.006</td> <td>XXXX</td> <td>0.13/.005</td> </tr> <tr> <td>THREE PLACES</td> <td></td> <td></td> <td></td> </tr> <tr> <td>ANGLES</td> <td></td> <td></td> <td></td> </tr> </table>	DIM.	TOL	DIM.	TOL	mm	mm/in	in	mm/in	NO PLACES	X 1/.04	XX	0.8/.03	ONE PLACE	XX 0.4/.016	XXX	0.38/.015	TWO PLACES	XXX 0.15/.006	XXXX	0.13/.005	THREE PLACES				ANGLES			
DIM.	TOL	DIM.	TOL																									
mm	mm/in	in	mm/in																									
NO PLACES	X 1/.04	XX	0.8/.03																									
ONE PLACE	XX 0.4/.016	XXX	0.38/.015																									
TWO PLACES	XXX 0.15/.006	XXXX	0.13/.005																									
THREE PLACES																												
ANGLES																												
DESIGN UNITS <input type="checkbox"/> SI METRIC <input checked="" type="checkbox"/> US CUSTOMARY																												
WEIGHT 2.75 LB APPROX																												

\triangle
21CX12F-D01

2 BASICS; EACH OPERATES
CW & CCW - TWO ADDITIONAL
CAMs PROVIDE DETENT ACTION

