

HONEYWELL

21CH51-6

See full Datasheet below...

onlinecomponents.com
THE ONLINE DISTRIBUTOR OF ELECTRONIC COMPONENTS

BUY NOW

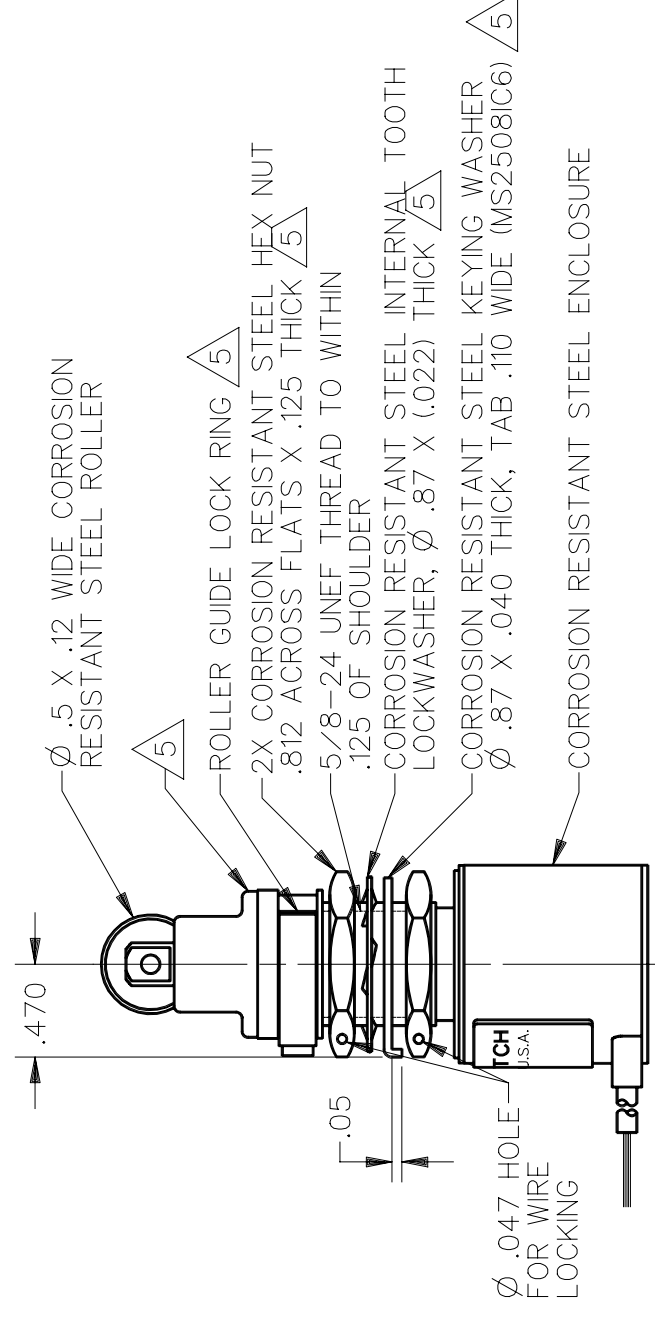
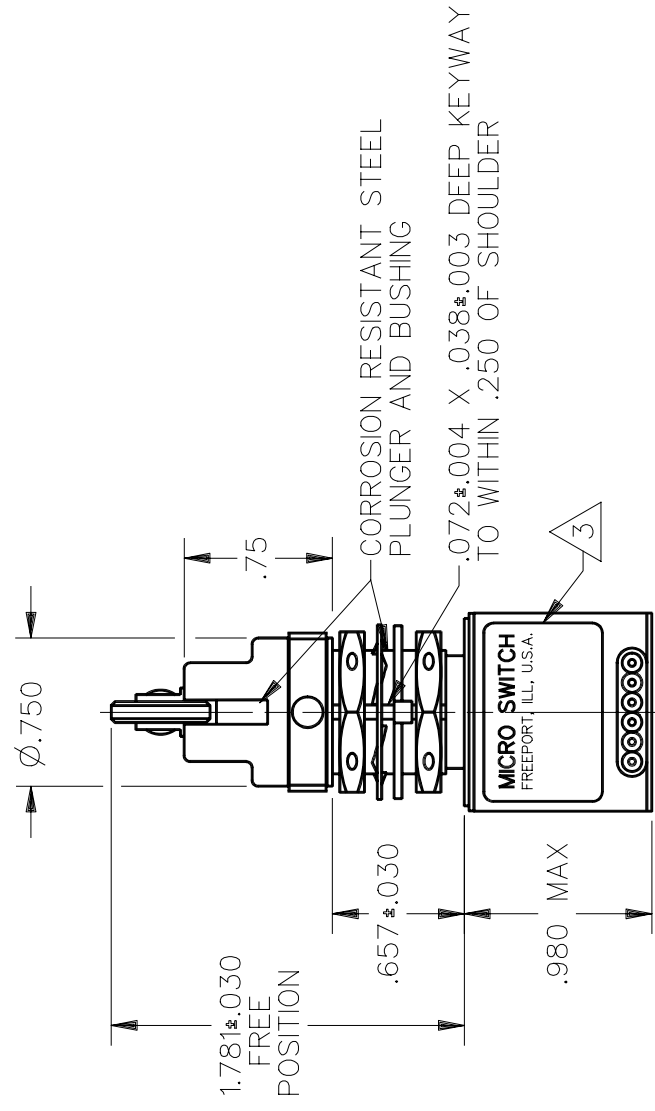
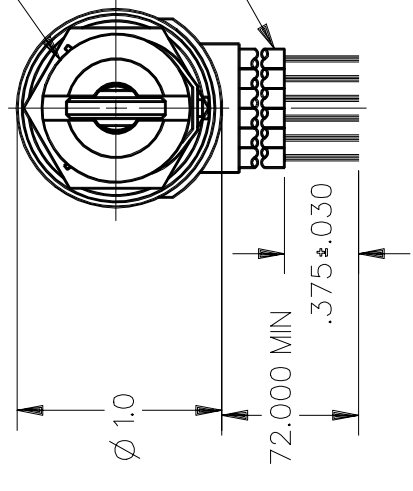
 **MASTER**TM
ELECTRONICS

BUY NOW

masterelectronics.com & onlinecomponents.com
are **authorized** e-commerce distributors
of electronic components.

ROLLER GUIDE MAY BE LOCKED IN INCREMENTS OF 45° AZIMUTH, IT MAY ALSO BE UNSCREWED AND REMOVED FROM BUSHING TO FACILITATE INSTALLATION 2

(6) NO. 20 LEAD WIRE PER SPEC MIL-W-22759/7 MARKED WITH CIRCUIT IDENTIFICATION AND WIRE GAGE (1-20,2-20 ETC) PER MIL-W-5088



CATALOG LISTING
21CH51-6

ISSUE
14

REVISIONS
A 60
A 177504A
LJF
15 MAR 94

REPLACES

RELEASE NO. PR-8631

CHECK

CHECK

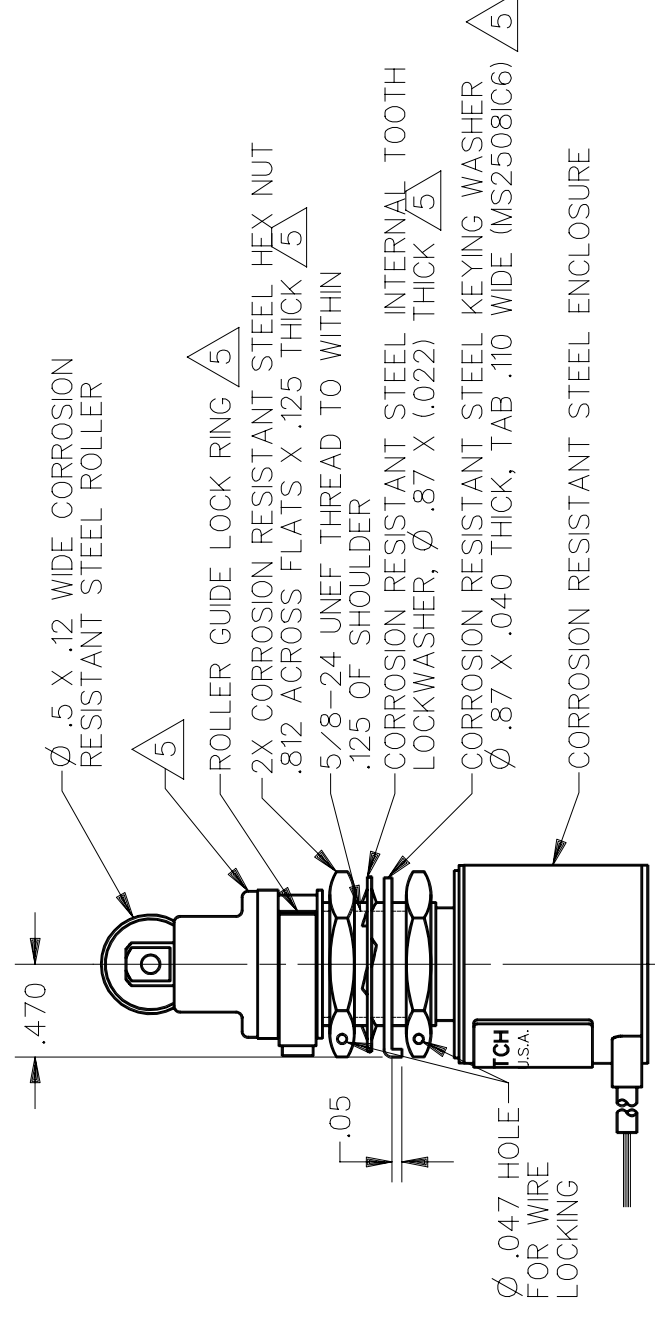
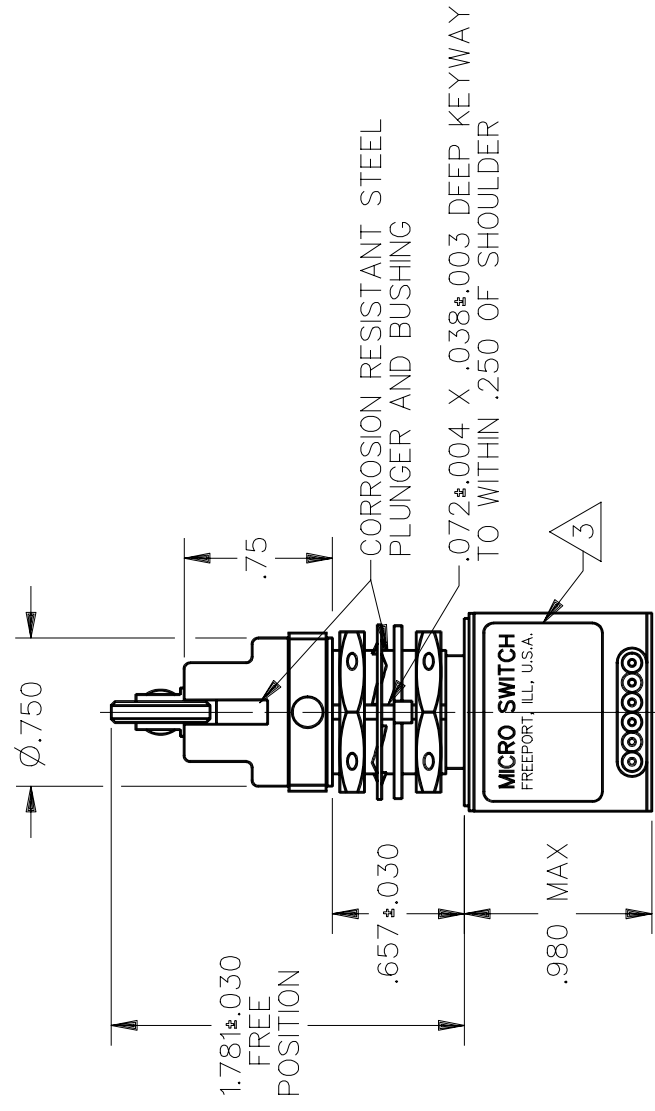
CHECK

DRAWN
DDM/CAD

L J F 15 MAR 94

ROLLER GUIDE MAY BE LOCKED IN INCREMENTS OF 45° AZIMUTH, IT MAY ALSO BE UNSCREWED AND REMOVED FROM BUSHING TO FACILITATE INSTALLATION 2

(6) NO. 20 LEAD WIRE PER SPEC MIL-W-22759/7 MARKED WITH CIRCUIT IDENTIFICATION AND WIRE GAGE (1-20,2-20 ETC) PER MIL-W-5088



CATALOG LISTING
21CH51-6

ISSUE
14

REVISIONS
A 60
A 177504A
LJF
15 MAR 94

REPLACES

RELEASE NO. PR-8631

CHECK

CHECK

CHECK

DRAWN
DDM/CAD

L J F 15 MAR 94

CHARACTERISTICS		ELECTRICAL DATA		THIRD ANGLE PROJECTION	
OPERATING FORCE	3-6 LB	CONTACT ARRANGEMENT		DO NOT SCALE PRINT	
FULL OVERTRAVEL FORCE	17 LB MAX	2X S P D T		SCALE FULL	
RELEASE FORCE	2 LB MIN	LOAD	28 VDC	UNLESS OTHERWISE SPECIFIED TOLERANCES ARE	
PRETRAVEL	.040 MAX	SEA LEVEL	50,000 FT.	ONE PLACE	(.0) ±.030
DIFFERENTIAL TRAVEL	.020 MAX	RES	4	TWO PLACE	(.00) ±.015
OVERTRAVEL	.250 MIN	IND	2	THREE PLACE	(.000) ±.005
		MOTOR	4	ANGLES	±
				WEIGHT	8.9 OZ MAX

- NOTES:
- 1 - SWITCH SEALED PER MIL-S-8805 SYMBOL 3
 - 2 - TO ADJUST ROLLER DIRECTION, REMOVE ROLLER GUIDE LOCK RING, SCREW ROLLER GUIDE DOWN AS FAR AS POSSIBLE, THEN UNSCREW TO DESIRED DIRECTION. SECURE BY REPLACING ROLLER GUIDE LOCK RING
 - 3 - MICRO SWITCH IDENTIFICATION, CATALOG LISTING, CIRCUIT DIAGRAM AND DATE CODE ARE SHOWN ON NAMEPLATE
 - 4 - COINCIDENCE OF OPERATING AND RELEASING POINTS: .010 INCH OF PLUNGER TRAVEL
 - 5 - HARDWARE MAY BE PACKAGED UNASSEMBLED PER MIL-S-8805