
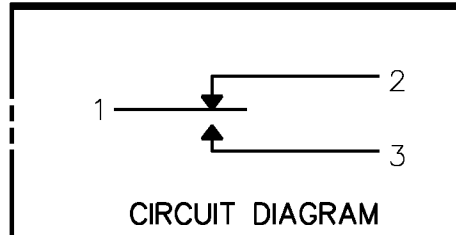
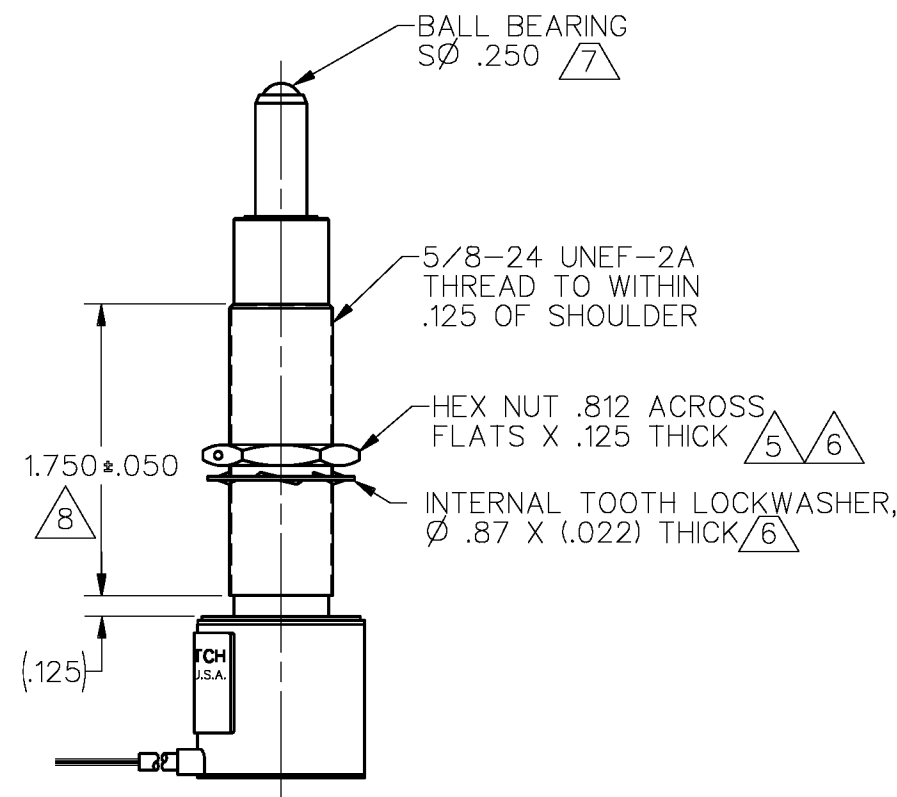
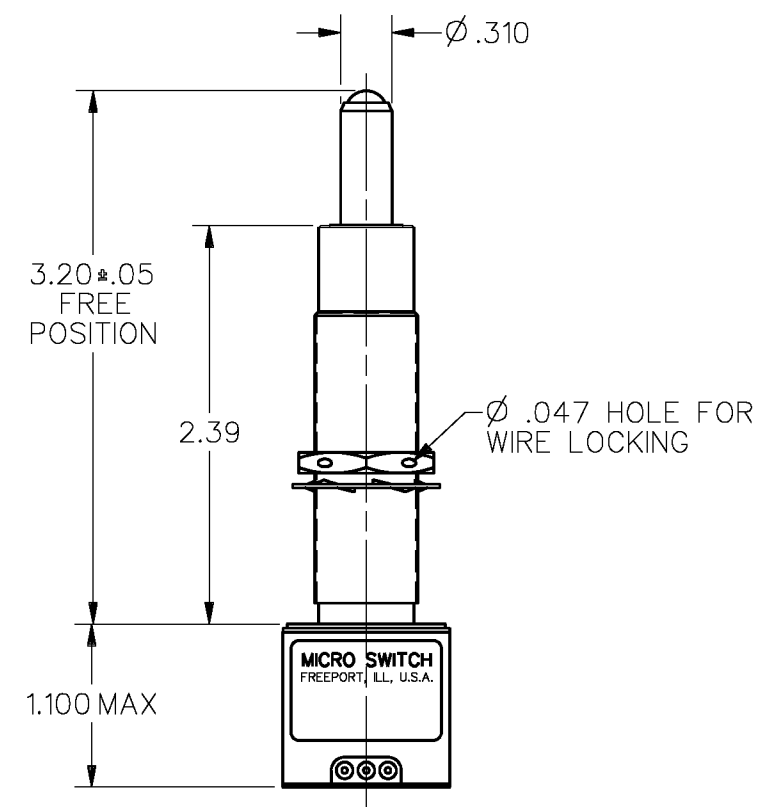
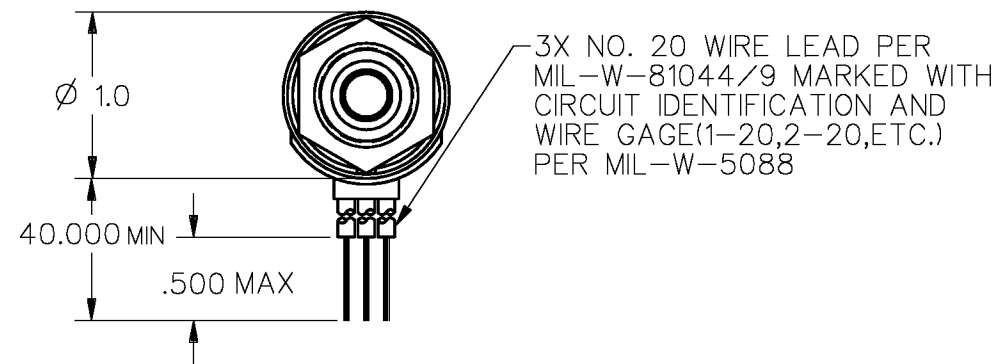



HONEYWELL
PART NUMBER
2001EN621
FAA-PMA 

REV	DOCUMENT	CHANGED BY	CHECK
9	0007392	KSR 24AUG04	AK



SPECIFICATION DETAILS:			
STANDARD:		CONFORMS TO MS24331-1 (MIL-PRF-8805/40), EXCEPT AS NOTED	
CONSTRUCTION:			
ENCLOSURE DESIGN	RESILIENT SEAL PER MIL-PRF-8805, SYMBOL 4		
CONTACT MATERIAL & CONFIGURATION	24K SOLID GOLD OVERLAY		
CIRCUIT CONFIGURATION	1 SPDT		
TERMINATION	LEADWIRE PER MIL-W-81044/9		
WEIGHT	5 OZ MAX		
EXPOSED METALS	CORROSION RESISTANT STAINLESS STEEL UNLESS NOTED OTHERWISE		
O-RING MATERIAL	SILICONE		
ELECTRICAL CHARACTERISTICS:			
ELECTRICAL RATINGS	VOLTAGE	RESISTIVE	LOAD INDUCTIVE
-SEA LEVEL	28 VDC	1 AMP	.5 AMP
-50,000 FEET	28 VDC	1 AMP	.5 AMP
DIELECTRIC STRENGTH & INSULATION RESISTANCE		DIELECTRIC STRENGTH	INSULATION RESISTANCE
		(≈60 Hz FOR 5 SECONDS)	(500 VDC * 10%)
-BETWEEN TERMINALS AND EXPOSED NON-CURRENT CARRYING METAL	1000 V Rms, 500 μA (MAX LEAKAGE)	1000 Megohm MIN	
-BETWEEN TERMINALS OF MUTUALLY INSULATED CIRCUITS	1000 V Rms, 500 μA (MAX LEAKAGE)	1000 Megohm MIN	
-BETWEEN ALL UNCONNECTED TERMINALS OF THE SAME POLE	1000 V Rms, 500 μA (MAX LEAKAGE)	1000 Megohm MIN	
SWITCH RESISTANCE			
RECOMMENDATION OR USE IN APPLICATIONS LESS THAN .5 AMPS AND/OR 12 VOLTS	YES		
MECHANICAL CHARACTERISTICS:			
CHARACTERISTICS:			
OPERATING FORCE	6-12 LBS		
FULL OVERTRAVEL FORCE	30 LB MAX		
RELEASE FORCE	4 LB MIN		
PRETRAVEL	.040 MAX		
DIFFERENTIAL TRAVEL	.020 MAX		
OVERTRAVEL	.500 MIN		
MOUNTING STRENGTH	15 IN-LBS		
ACTUATOR STRENGTH	30 LBS APPLIES IN A DIRECTION TO CAUSE SWITCH ACTUATION		
LIFE:			
MECHANICAL LIFE	25,000 MIN PER MIL-PRF-8805/40		
ELECTRICAL LIFE AT FULL RATED LOAD	25,000 MIN PER MIL-PRF-8805/40		
ENVIRONMENTAL:			
TEMPERATURE RANGE	-55°C TO +85°C		
ALTITUDE RANGE	SEA LEVEL TO 50,000 FT		
SHOCK	PER MIL-PRF-8805 SYMBOL M-100g		
VIBRATION	PER MIL-PRF-8805 SYMBOL 1 - 10-500 Hz & 10g PEAK		
MOISTURE RESISTANCE	PER MIL-PRF-8805		
THERMAL SHOCK	PER MIL-PRF-8805		
SALT SPRAY	PER MIL-PRF-8805		

- NOTES
- LIFE RATINGS ARE PER MIL-PRF-8805 REQUIREMENTS. ACTUAL LIFE EXCEEDS RATED LIFE. CONTACT HONEYWELL-MICRO SWITCH FOR ADDITIONAL DATA.
 - CONTACT HONEYWELL-MICRO SWITCH IF ADDITIONAL INFORMATION ON LOW ENERGY LOADS IS REQUIRED OR FOR HELP WITH SPECIFIC APPLICATIONS.
 - SWITCH RESISTANCE EQUALS SWITCH CONTACT RESISTANCE PLUS WIRE LEAD LENGTH (OHMS/FT). SWITCH CONTACT RESISTANCE SHALL NOT EXCEED .025 OHMS INITIALLY AND .040 OHMS AFTER MECHANICAL ENDURANCE TEST. AFTER ELECTRICAL ENDURANCE, THE SWITCH CONTACT RESISTANCE SHALL NOT EXCEED 1% OF THE LOAD IMPEDENCE USING THE ELECTRICAL PARAMETERS OF THE ELECTRICAL ENDURANCE TEST LOAD. WIRE LEAD RESISTANCE EQUALS 9.88 OHM/M FT MAX.
 - CIRCUIT DIAGRAM, CATALOG LISTING, DATE CODE, FED. MFG. CODE AND FAA-PMA ARE SHOWN ON NAMEPLATE.
 - CAD PLATED STEEL HEX NUT.
 - HARDWARE MAY BE PACKAGED UNASSEMBLED PER MIL-PRF-8805.
 - ROLLER BALL BEARING PLUNGER FOR USE WITH 20° MAX RISE ON CAM OR SLIDE ACTUATION.
 - CADMIUM PLATED BUSHING THREADS PER QQ-P-416C TYPE II CLASS 3. PLATING MUST COVER ENTIRE THREADED AREA OF BUSHING.
 - FOR MANUFACTURING DETAIL SEE ASSEMBLY DRAWING 2001EN621 FOR FAA-PMA.

DESIGN UNITS: INCH	DRAWN	MAM	15JAN93	Honeywell			
TOLERANCES UNLESS NOTED:	CHECK	DAW	18JAN93				
NO PLACE .X ± 0.040	THIS DRAWING COVERS A PROPRIETARY ITEM AND IS THE PROPERTY OF HONEYWELL. THIS DRAWING IS NOT TO BE COPIED OR USED WITHOUT THE PERMISSION OF HONEYWELL.			TITLE			
ONE PLACE .X ± 0.030				SWITCH - ENCLOSED			
TWO PLACE .XX ± 0.015				DRAWING NAME			
THREE PLACE .XXX ± 0.005				2001EN621			
FOUR PLACE .XXXX ± 0.0005				REV			
ANGLES ± 2	INTERPRET PER ASME Y14.5M-1994 OTHER HONEYWELL ENGINEERING STANDARDS MAY APPLY			SIZE	TYPE	DRAWING NAME	REV
THIRD ANGLE PROJECTION 				C	I	2001EN621	9
RASTER				SCALE	FULL	SHEET	1 OF 1