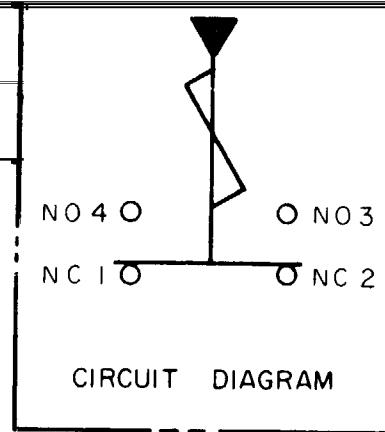


**MICRO SWITCH**  
a Honeywell Division

FED. MFG. CODE 91929

**SWITCH - ENCLOSED**

CATALOG LISTING  
**1LS56-L**



1LS56-L

CATALOG LISTING

PAGE 1 OF 1

ISSUE 6

REVISIONS  
A CO-76997  
GJW  
3 APR 95

REPLACES

PR-5373

CHECK

CHECK

5 MAY 95

JAF

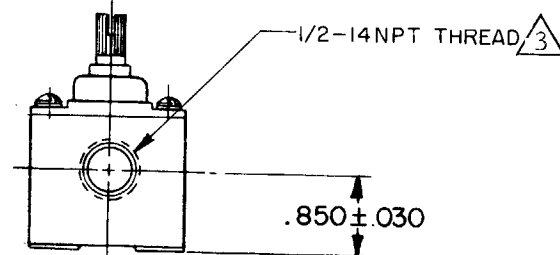
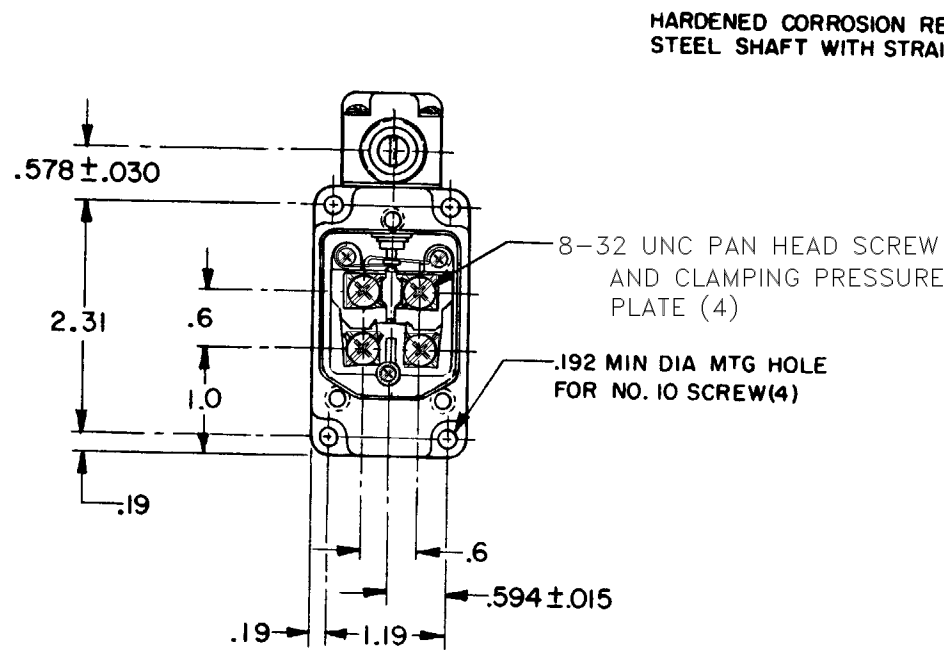
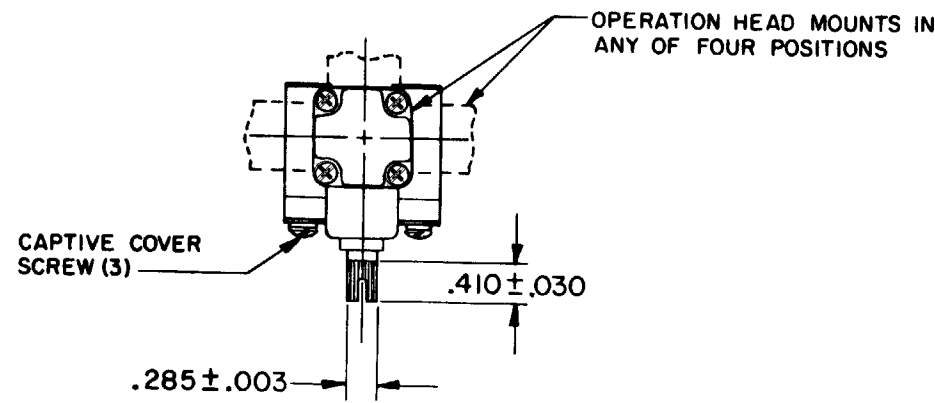
CHECK

3 APR 95

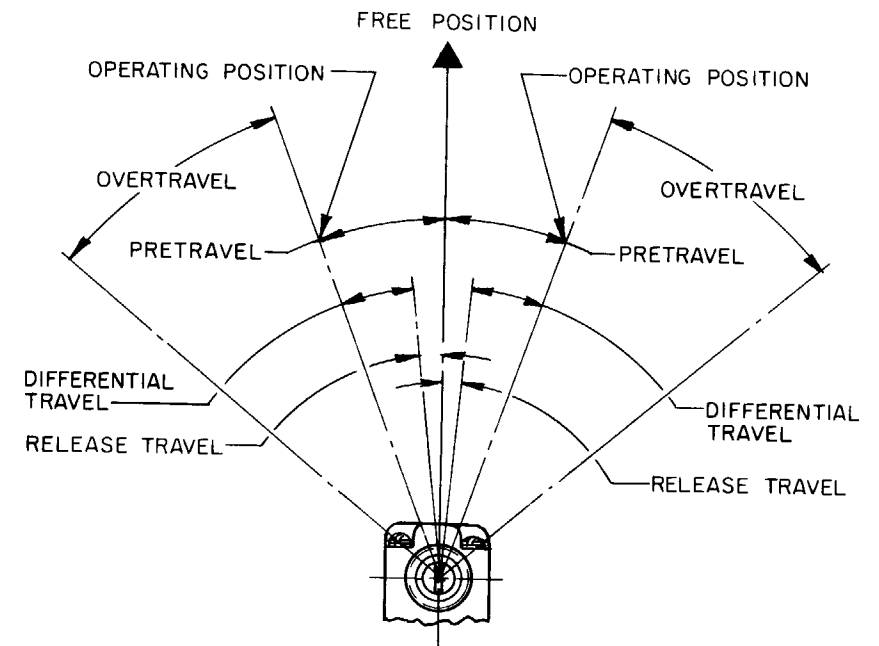
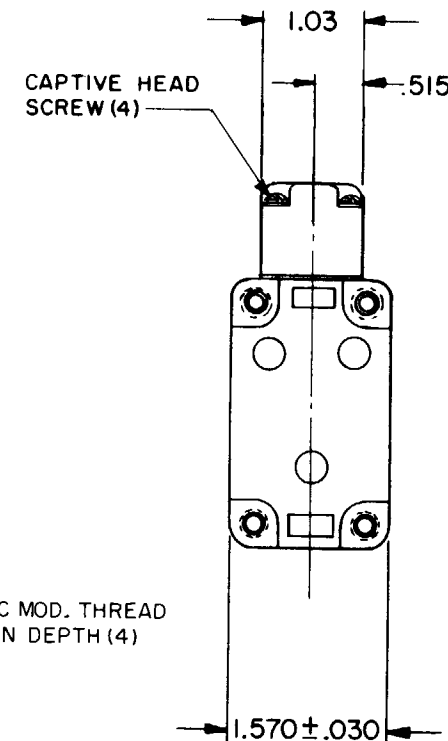
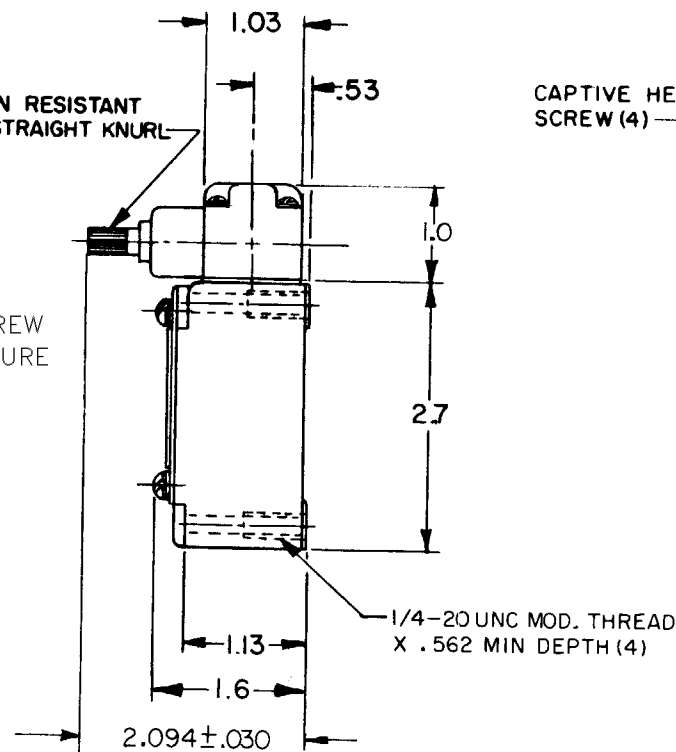
GJW

FORMTEK

DRAWN



HARDENED CORROSION RESISTANT STEEL SHAFT WITH STRAIGHT KNURL



THIS DRAWING COVERS A PROPRIETARY ITEM AND IS THE PROPERTY OF MICRO SWITCH, A DIVISION OF HONEYWELL. THIS DRAWING IS NOT TO BE COPIED OR USED WITHOUT THE APPROVAL OF MICRO SWITCH

CHARACTERISTICS
OPERATING TORQUE --- 15 IN OZ MAX
RELEASE TORQUE --- 3 IN OZ MIN
PRETRAVEL --- 5° MAX
RELEASE TRAVEL --- 0° 30' MIN
OVERTRAVEL --- 30° MIN
SWITCH-BASIC REPLACEMENT --- 2MN8-L

ELECTRICAL DATA
CONTACT ARRANGEMENT (SEE CIRCUIT DIAGRAM)
L127
10A 125, 250 OR 480 VAC
1/4HP 125 VAC, 1/2HP 250 VAC

THIRD ANGLE PROJECTION	
SCALE	1/2 TO 1
DO NOT SCALE PRINT	
UNLESS OTHERWISE SPECIFIED TOLERANCES ARE	
ONE PLACE	(.01) ±.030
TWO PLACE	(.00) ±.015
THREE PLACE	(.000) ±.005
ANGLES	±
WEIGHT	

**NOTES**

- SWITCH IS ASSEMBLED FOR ACTUATION IN EITHER DIRECTION BUT MAY BE ADJUSTED TO ACTUATE THE SWITCH IN THE CLOCKWISE DIRECTION ONLY, THE COUNTERCLOCKWISE DIRECTION ONLY, OR IN BOTH DIRECTIONS
  - TO CONVERT SWITCH FOR ACTUATION IN EITHER THE CLOCKWISE OR COUNTERCLOCKWISE DIRECTION ONLY, REMOVE ACTUATOR HEAD AND ROTATE THE NOTCHED PLUNGER 90° TO THE RIGHT FOR CLOCKWISE ACTUATION OR 90° TO THE LEFT FOR COUNTERCLOCKWISE ACTUATION
- 3 SEAL TO BE FURNISHED BY USER

