

# HONEYWELL

## 103FW12-R1

*See full Datasheet below...*

**onlinecomponents.com**

THE ONLINE DISTRIBUTOR OF ELECTRONIC COMPONENTS

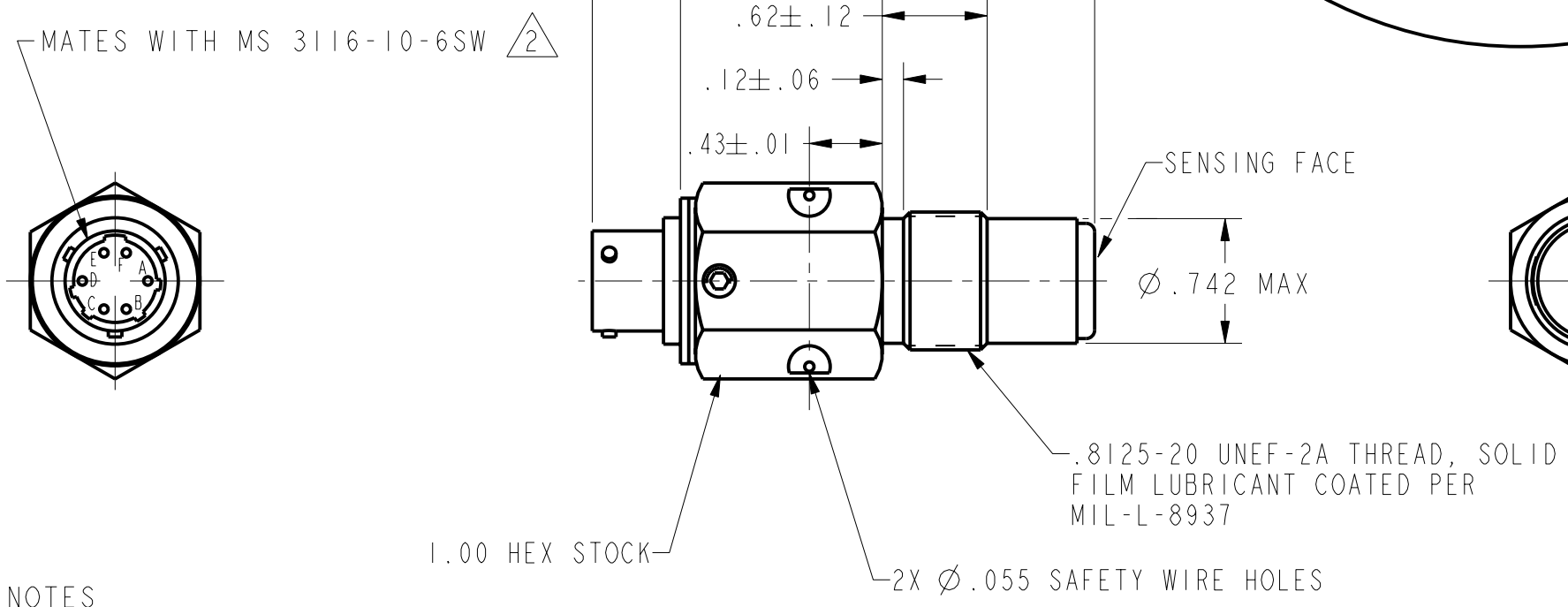
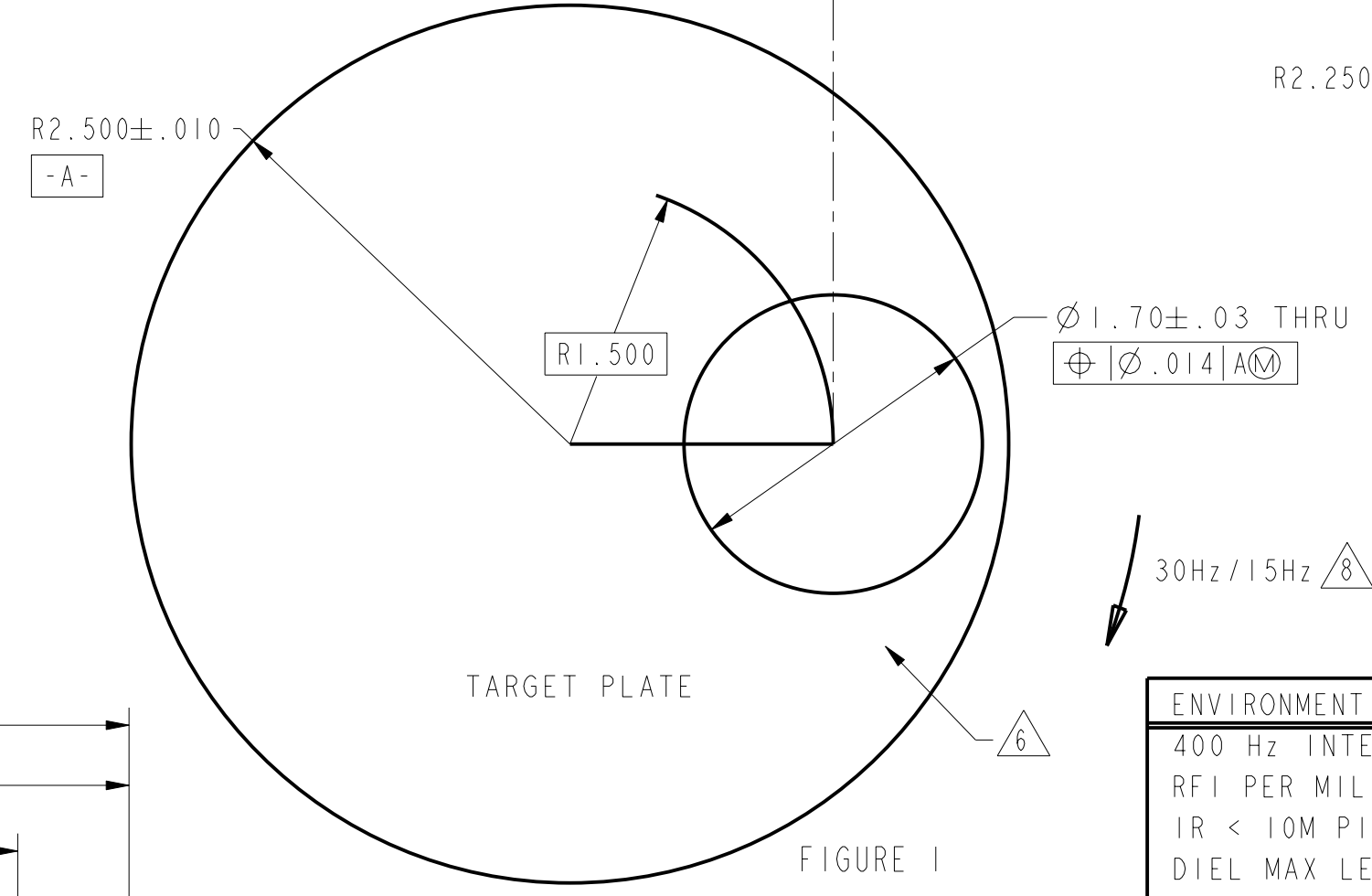
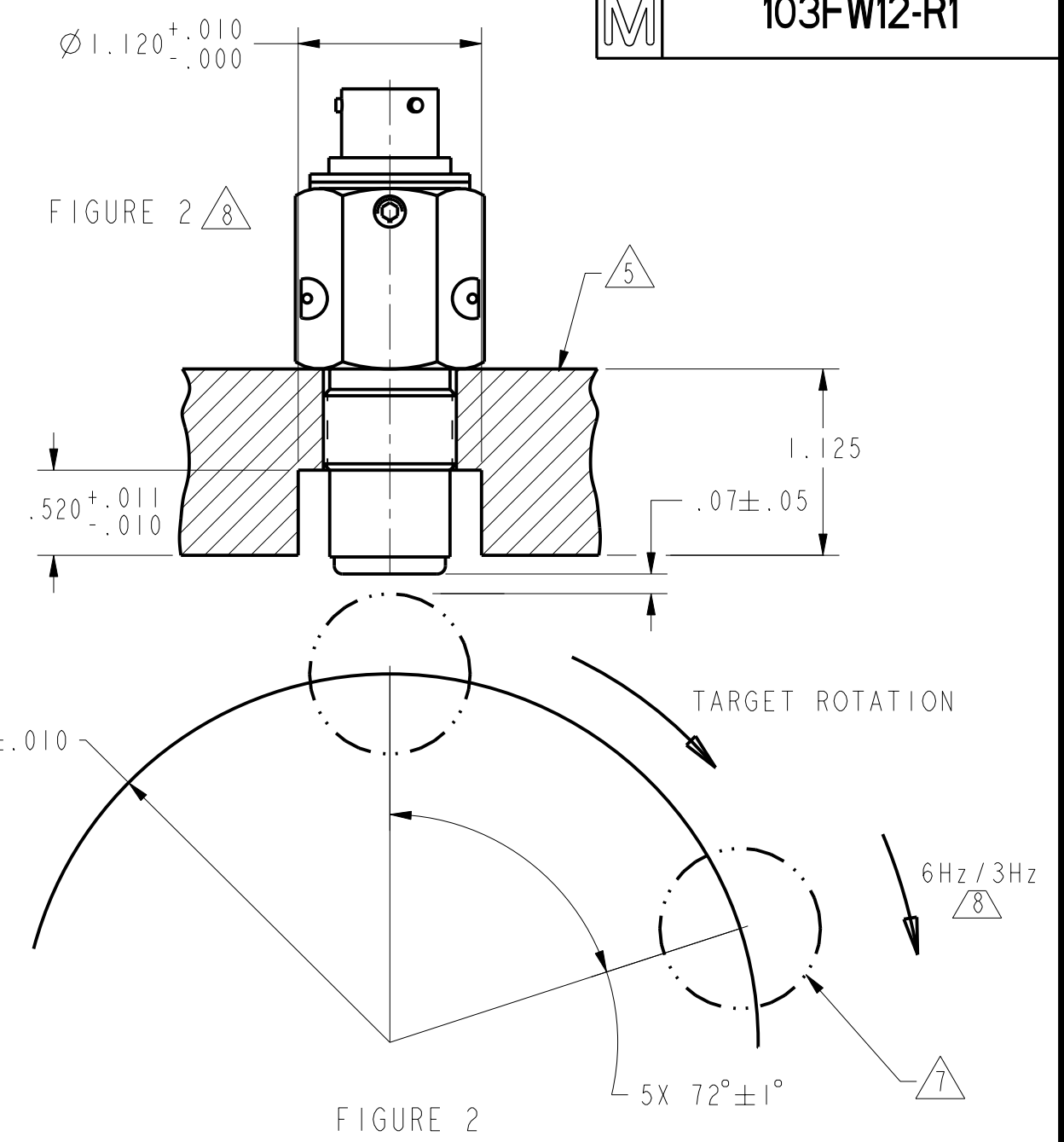
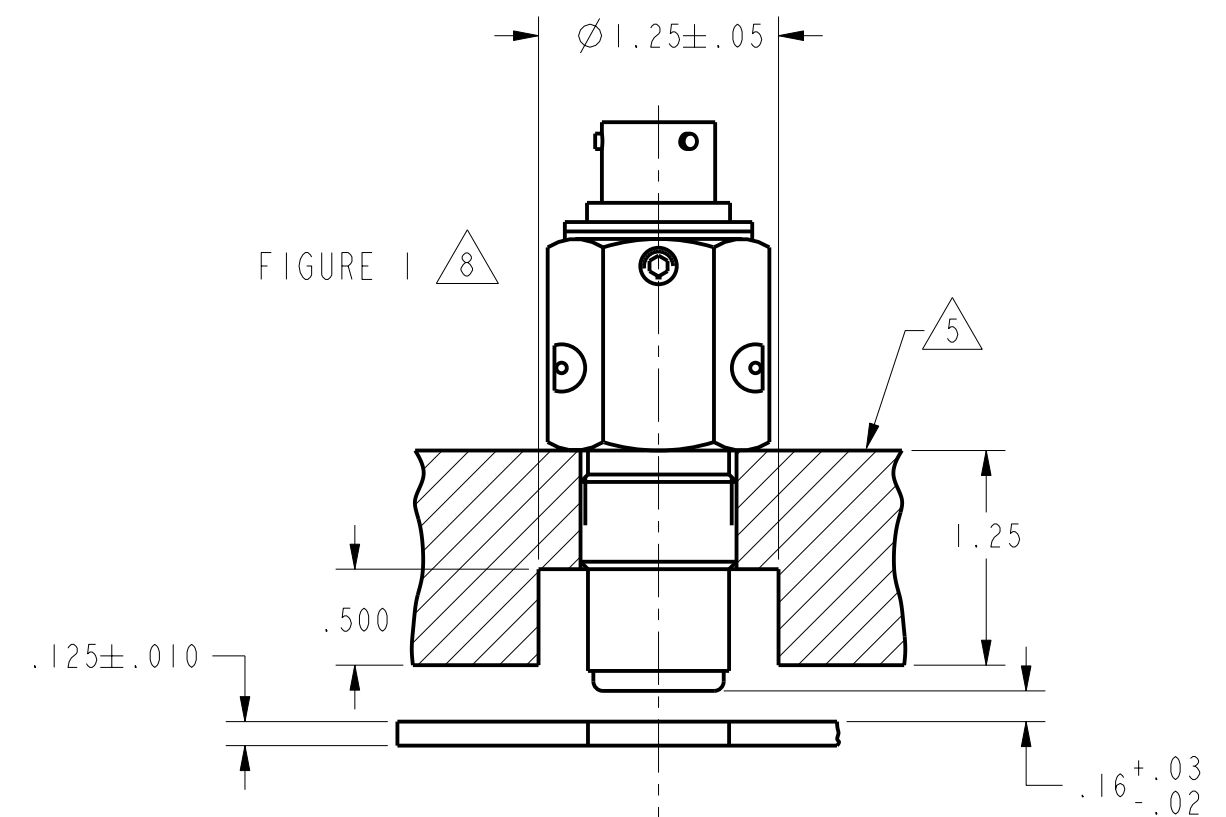
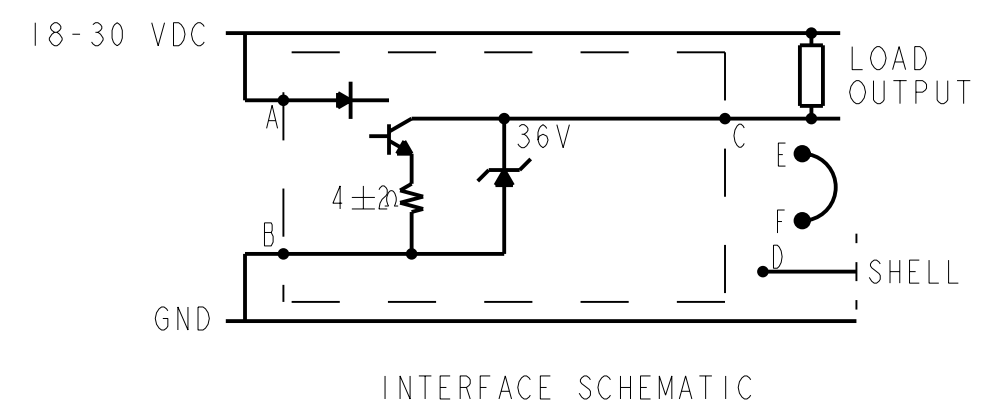
**BUY NOW**



**MASTER**<sup>TM</sup>  
ELECTRONICS

**BUY NOW**

masterelectronics.com & onlinecomponents.com  
are **authorized** e-commerce distributors  
of electronic components.



ENVIRONMENT:  
 400 Hz INTERFERENCE PER MIL-STD-704  
 RFI PER MIL-STD-461/462 CS01, RE02, RS02  
 IR < 10M PIN TO HOUSING MIL-STD-202 METHOD 302 COND B  
 DIELECTRIC MAX LEAK 500μA LEAD-HOUSING MIL-STD-202 METHOD 301, 500 VAC 60 Hz VOLTAGE FLUCTUATION...  
 COUNT RATE 1800 TARGETS/MIN FOR 1 MIN & 900 TARGETS/MIN FOR 3 MIN. AT ROOM TEMP  
 THERMAL SHOCK MIL-STD-810 METHOD 503.2 PROCEDURE I  
 HUMIDITY MIL-STD-810 METHOD 502.2 PROCEDURE I NON-OPERATING  
 SALT SPRAY MIL-STD-810 METHOD 509.2 NON-OPERATING  
 SAND AND DUST MIL-STD-810 METHOD 510.2 NON-OPERATING  
 FUNGUS MIL-STD-810 METHOD 508.3 NON-OPERATING  
 EXPLOSIVE ATMOSPHERE MIL-STD-810 METHOD 511.2 PROCEDURE I  
 SHOCK MIL-STD-810 METHOD 514.3 CAT 4. 1500G ACCELERATION 1-2ms SAWTOOTH  
 VIBRATION MIL-STD-810 METHOD 514.3 CAT 4  
 THERMAL CYCLE SCREENING: TWO CYCLES -40°C TO +85°C

ELECTRICAL PARAMETERS

INPUT  
 VOLTAGE: 18-30 VDC, MIL-STD-704  
 CURRENT: 25 MA MAX

OUTPUT  
 TYPE: CURRENT SINK, SPNO, LOAD SHORT PROTECTED  
 LEAKAGE CURRENT: 10 MICROAMPS MAX (.3 MICROAMPS AT 25°C)  
 STEADY STATE RATINGS:  
 RESISTIVE: 100 MILLIAMPS MAX  
 INDUCTIVE: 100 MILLIAMPS MAX  
 LOAD VOLTAGE: 30 VDC MAX  
 SATURATION VOLTAGE: 2.0 VDC MAX

NOTES

1 - HOUSING MATERIAL: 300 SERIES STAINLESS STEEL  
 2 - "A" SUPPLY VOLTAGE; "B" SUPPLY RETURN; "C" LOAD; "D" SHELL; "E" SHORTED TO "F"  
 3 - OPERATING TEMPERATURE: -40°C TO +55°C; STORAGE TEMPERATURE: -55°C TO +125°C  
 4 - SWITCH WILL NOT BE DAMAGED IF OUTPUT TERMINAL IS MISCONNECTED TO +28 VDC OR NEG FOR 30 MIN  
 5 - MATERIAL: 17-4PH STEEL  
 6 - MATERIAL: 410 OR 416 CRES  
 7 - TARGET: 0.981 ± .002 X 1.300 LONG CYLINDERS, MATERIAL: CRS OR AL ALLOY 7075 T651 OR 2024 T351  
 8 - COUNT RATE PERFORMANCE:  
 SWITCH WILL ACCURATELY SENSE TARGETS UNDER THE FOLLOWING CONDITIONS:  
 FIGURE 1: 15Hz MAX FOR 3 MIN. TEST DURATION AND 30Hz MAX FOR 1 MIN. TEST DURATION  
 FIGURE 2: 3Hz MAX FOR 3 MIN. TEST DURATION AND 6Hz MAX FOR 1 MIN. TEST DURATION

THIS DRAWING COVERS A PROPRIETARY ITEM AND IS THE PROPERTY OF MICRO SWITCH, A DIVISION OF HONEYWELL. THIS DRAWING IS NOT TO BE COPIED OR USED WITHOUT THE APPROVAL OF MICRO SWITCH.

MICRO SWITCH a Honeywell Division

ANSI Y14.5M-1982 APPLIES

CATALOG LISTING

INTEGRAL PROXIMITY SWITCH

103FW12-R1

THIRD ANGLE PROJECTION

SCALE FULL

DO NOT SCALE PRINT

UNLESS OTHERWISE SPECIFIED TOLERANCES ARE

|              |        |        |
|--------------|--------|--------|
| ONE PLACE    | (.0)   | ± .030 |
| TWO PLACES   | (.00)  | ± .015 |
| THREE PLACES | (.000) | ± .005 |
| ANGLES       |        | ±      |
| WEIGHT       |        |        |

103FW12-R1  
 DRAWING NUMBER  
 ISSUE 7  
 CHECK  
 REVISIONS  
 A 205733  
 DLT 29MAY02  
 P.T.C./CAD 20  
 D.L.T. 29 MAY 02  
 SAV 29 MAY 02  
 RELEASE NO. DR-4093  
 PAGE 1 OF 1  
 REPLACES