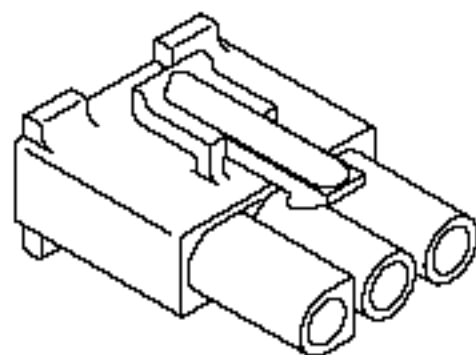


Home: > [Datasheet](#)

Part Number: 03-09-2171

093 Housing Plug /O Ears 3Ckt



Series image - Reference only

Status: Active
Series: [42191](#)
Category: Molex Parts
Old Part Number: 42191-3P1

Go to [Part Detail](#) ▼

[CHECK DISTRIBUTOR INVENTORY](#)

[Add to My Parts](#)

Specifications & Other Documents:

Documents not available online

Sales Drawings, 3D Models, and Brochures

[Drawing \(PDF\)](#)

Note - Please disable browser pop-up blockers to view documents on www.molex.com

Product Environmental Compliance

Questions on Product Environmental Compliance? Email productcompliance@molex.com

[EU RoHS](#): ELV and RoHS Compliant

[China RoHS](#):

[REACH SVHC](#): Contains SVHC: No

[Low-Halogen Status](#): Low-Halogen

Application Tooling

[FAQ](#)

Tooling specifications and manuals are found by selecting the products below.

Crimp Height Specifications are then contained in the Application Tooling Specification document.

Previously Available Application Tooling

[Check our list of old tooling that used to be available for this part](#)

Part Detail

COLLAPSE ALL

▼ **General**

Status	
Category	
Series	

▼ **Physical**

Flammability	94V-2
--------------	-------

▼ **Agency Certification**

CSA	LR19980
UL	E29179

▼ **Material Info**

Old Part Number	42191-3P1
-----------------	-----------

Molex Connectors

- Wire-to-Board
- Board-to-Board
- Wire-to-Wire
- Input/Output (IO)
- FFC/FPC
- Sockets

Other Products

- Fiber Optic Products
- Antennas
- Industrial Automation
- Membrane Switches
- Copper Flex
- PCB Assemblies
- Woodhead Electrical
- Solid State Lighting

Resources

- Catalog
- Cross-Reference
- Industries
- Literature
- Product Name

Company Info

- About Us
- Careers
- Contact Us
- ecocare
- Investors
- Press Room
- Shows & Events

Other Info

- Feedback
- Help
- Legal Disclaimer
- Privacy Policy
- Sitemap

Stay Connected with Molex:

