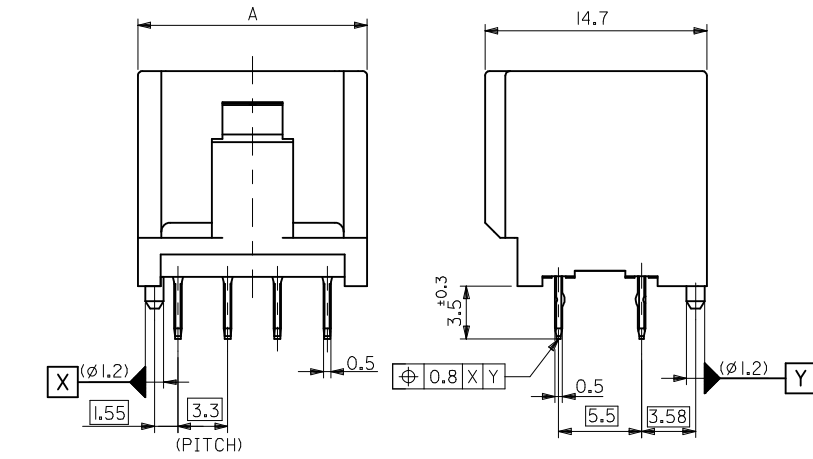
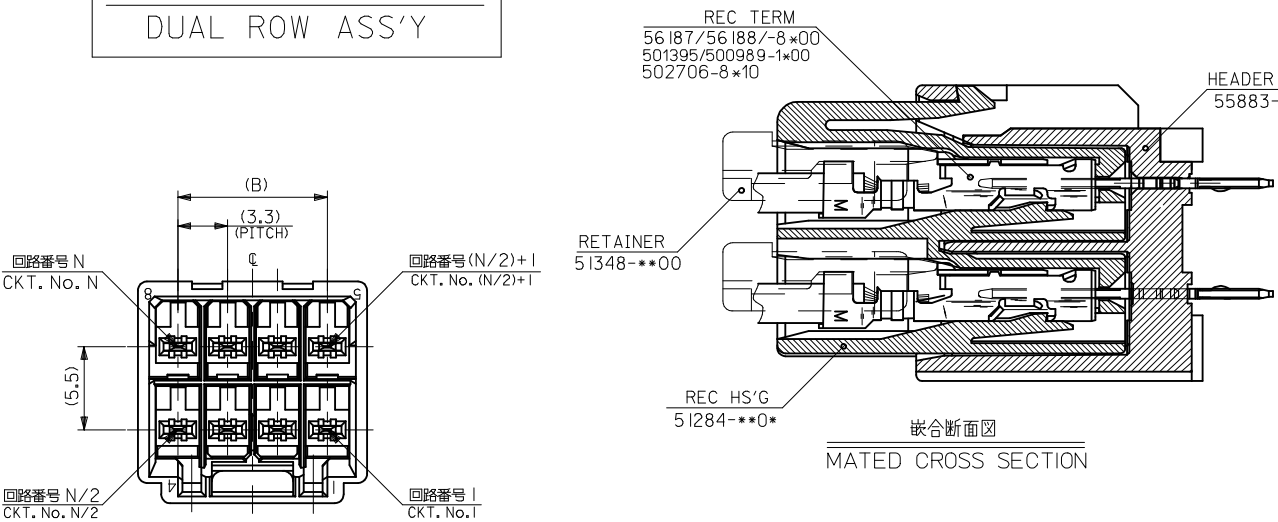


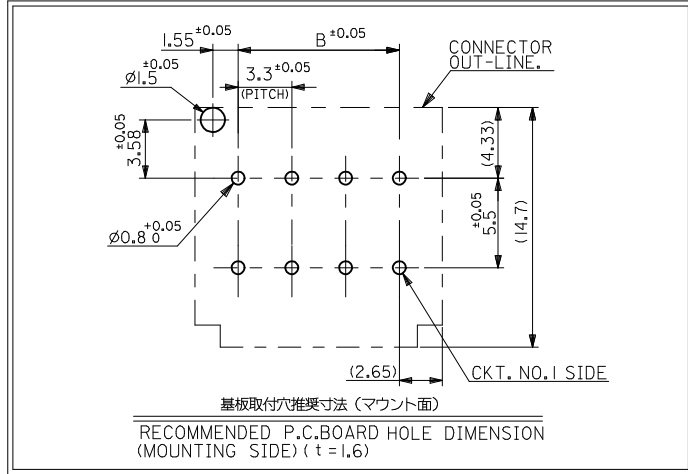
本図は2列品を示す
DUAL ROW ASS'Y

注記
NOTES

1. 材料 MATERIAL
ピン PIN : 黄銅, ニッケル下地鍍メッキ
ヘッダー HEADER : ホリアミド (PA), ガラス充填, UL94V-0
2. 嵌合相手 MATE WITH : 51284-***8
3. ソルダータールキンは、両端のピンのみとする。
KINK TO BE APPLIED FOR 4 PINS AT BOTH ENDS.
- △ 極性用溝 PALARIZING KEY
5. ELV及びRoHS 適合品
ELV AND RoHS COMPLIANT



嵌合断面図
MATED CROSS SECTION

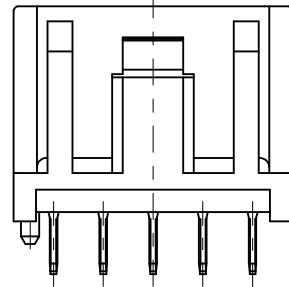
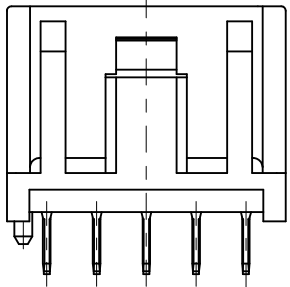
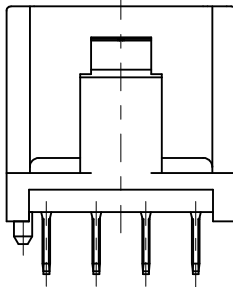
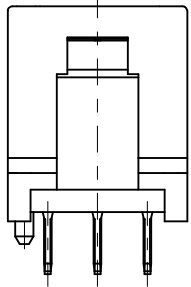
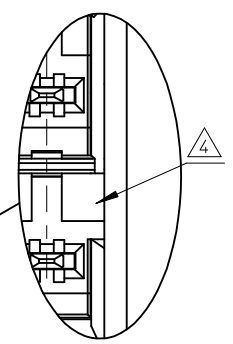
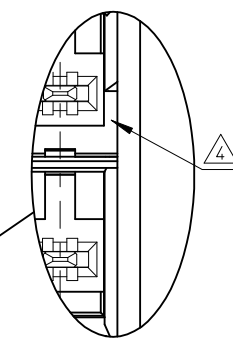
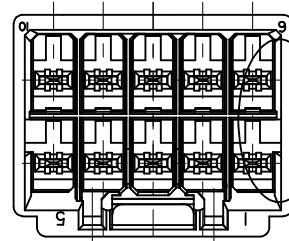
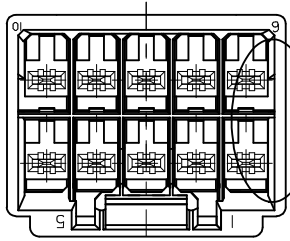
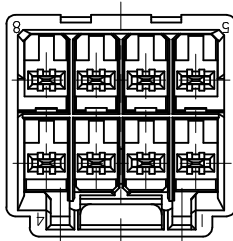
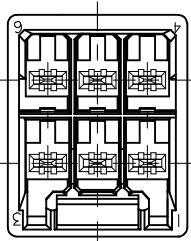


基板取付穴推奨寸法 (マウント面)
RECOMMENDED P.C.BOARD HOLE DIMENSION (MOUNTING SIDE) (t=1.6)

LOCK SIDE	BLACK	13.2	18.5	55883-1091	10
	NATURAL (IVORY)			-1090	
OPPOSITE SIDE OF LOCK	RED	9.9	15.2	-0892	8
	NATURAL (IVORY)			-0890	
MATING KEY POSITION (SEE SHEET 2 OF 3)	COLOR	B	A	-0690	6
				TRAY PACKAGE	
				オーダー番号 ORDER NO.	極数 CIRCUITS

REVISED EC NO: J2010-0432 DRW: NYOSHIKAWA 2009/09/11 CHK: K. ASAKAWA 2009/09/14 APPR: NUKITA 2009/09/15	GENERAL TOLERANCES (UNLESS SPECIFIED)		DIMENSION STYLE MM ONLY	SCALE ---	CONNECTOR SERIES No. 55883-***9*
	10 UNDER	±0.2	DRAWN BY J. KUGOU	DATE '04/02/12	DESIGN UNITS METRIC
	10 OVER 30 UNDER	±0.25	CHECKED BY M. SASAO	DATE '04/02/12	THIRD ANGLE PROJECTION
	30 OVER	±0.3	APPROVED BY M. SASAO	DATE '04/02/12	
	ANGULAR ±3 °	DRAFT WHERE APPLICABLE MUST REMAIN WITHIN DIMENSIONS	MATERIAL NO. SEE CHART	DOCUMENT NO. SD-55883-010	TITLE 3.3 WIRE TO BOARD CONN. HEADER ASS'Y
			SIZE A3		MOLEX INCORPORATED
					SHEET NO. 1 OF 3

本図は2列品を示す
DUAL ROW ASS'Y



SHAPE OF
55883-0690
HEADER COLOR:NATURAL

SHAPE OF
55883-0890
HEADER COLOR:NATURAL
55883-0892
HEADER COLOR:RED

SHAPE OF
55883-1090
HEADER COLOR:NATURAL

SHAPE OF
55883-1091
HEADER COLOR:BLACK

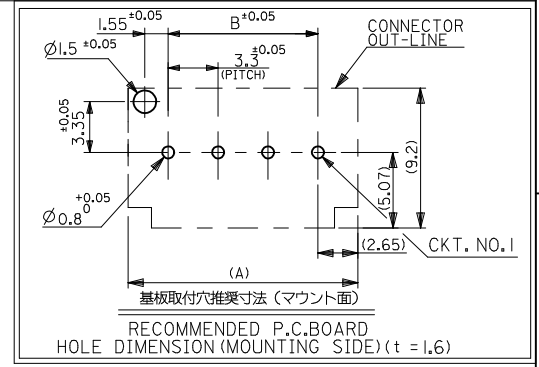
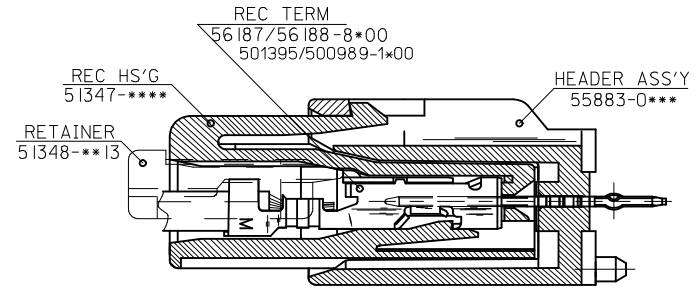
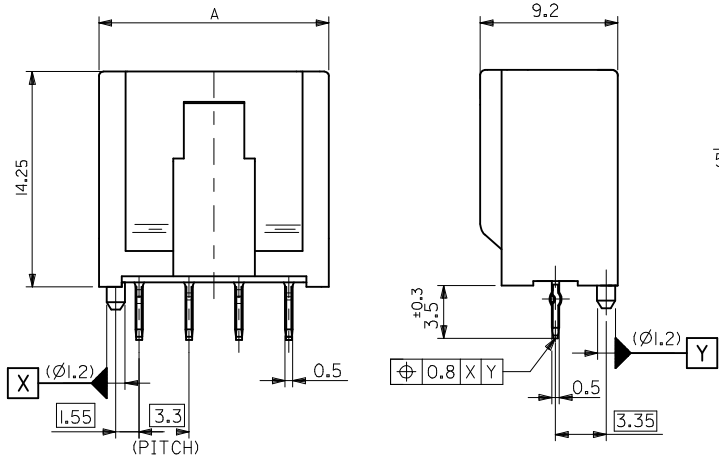
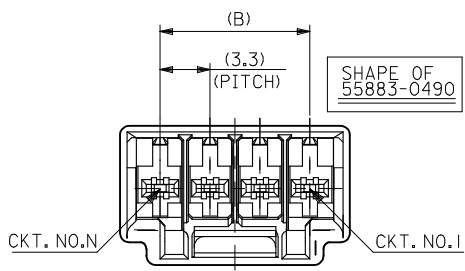
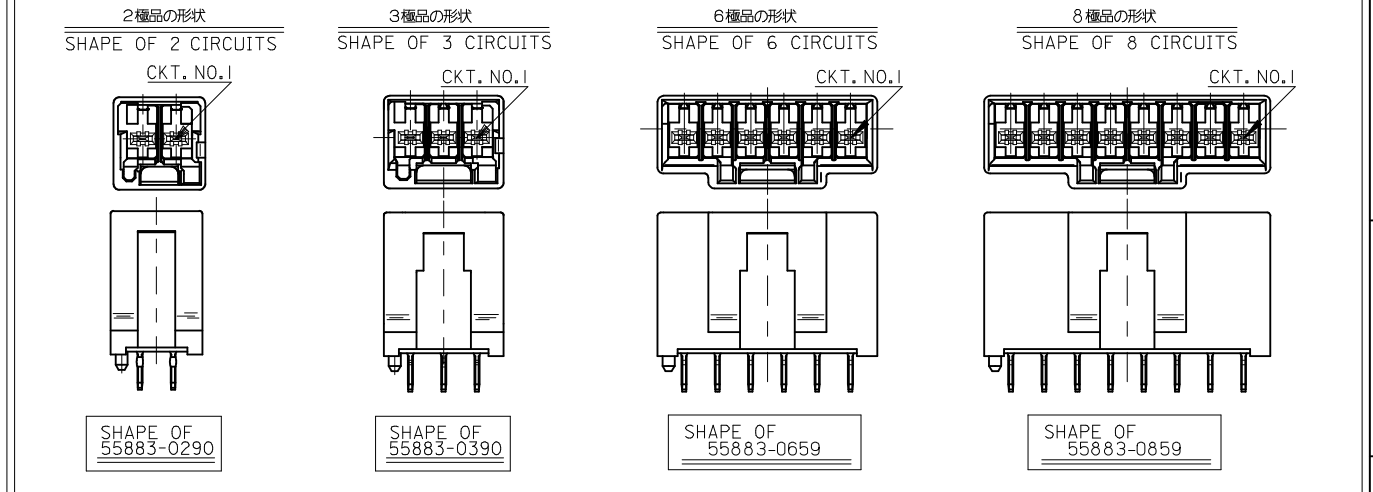
MATING KEY POSITION:OPPOSITE SIDE OF LOCK

MATING KEY POSITION:LOCK SIDE

極数レイアウト図
LAYOUT OF EACH CIRCUITS

REVISED EC NO. J2010-0432 DRAWN:YOSHIKAWA 2009/09/11 CHKDK:ASAKAWA 2009/09/14 APPR:NUKITA 2009/09/15	GENERAL TOLERANCES (UNLESS SPECIFIED)		DIMENSION STYLE MM ONLY	SCALE ---	DESIGN UNITS METRIC	THIRD ANGLE PROJECTION
	10 UNDER	±0.2	DRAWN BY J.KUGOU	DATE '04/02/12	TITLE 3.3 WIRE TO BOARD CONN. HEADER ASS'Y	
	10 OVER 30 UNDER	±0.25	CHECKED BY M.SASAO	DATE '04/02/12		
	30 OVER	±0.3	APPROVED BY M.SASAO	DATE '04/02/12	MOLEX INCORPORATED	
ANGULAR	±3 °	MATERIAL NO.	DOCUMENT NO.	SHEET NO.		
DRAFT WHERE APPLICABLE MUST REMAIN WITHIN DIMENSIONS		SEE SHEET 1	SD-55883-010	2 OF 3		
THIS DRAWING CONTAINS INFORMATION THAT IS PROPRIETARY TO MOLEX INCORPORATED AND SHOULD NOT BE USED WITHOUT WRITTEN PERMISSION						

本図は1列品を示す
SINGLE ROW ASS'Y



NATURAL (IVORY)	23.1	28.4	55883-0859	8
	16.5	21.8	55883-0659	6
	9.9	15.2	55883-0490	4
	6.6	11.9	55883-0390	3
COLOR	3.3	9.1	55883-0290	2
	TRAY PACKAGE			極数
ORDER NO.			ORDR NO.	CIRCUITS

- 注記 NOTES
- 材料 MATERIAL
ピン PIN : 黄銅, ニッケル下地鍍メッキ
: BRASS, TIN OVER NICKEL PLATED
ヘッダー HEADER : ホリアミド (PA), ガラス充填 UL94V-0
: POLYAMIDE(PA), GLASS FILLED, UL94V-0
 - 嵌合相手 MATE WITH : 51347-****
 - ELV及びRoHS 適合品
ELV AND RoHS COMPLIANT

REVISED EC NO: J2010-0432 DRWN: YOSHIKAWA 2009/09/11 CHKD: ASAKAWA 2009/09/14 APPR: NUKITA 2009/09/15	DESCRIPTION	GENERAL TOLERANCES (UNLESS SPECIFIED)		DIMENSION STYLE MM ONLY		SCALE ---		DESIGN UNITS METRIC		THIRD ANGLE PROJECTION		
		10 UNDER	±0.2	DRAWN BY J. KUGOU	DATE '04/02/12	TITLE 3.3 WIRE TO BOARD CONN. HEADER ASS'Y						
		10 OVER 30 UNDER	±0.25	CHECKED BY M. SASAO	DATE '04/02/12	MOLEX INCORPORATED DOCUMENT NO. SD-55883-010 SHEET NO. 3 OF 3						
		30 OVER	±0.3	APPROVED BY M. SASAO	DATE '04/02/12							
REV	ANGULAR ±3 °	DRAFT WHERE APPLICABLE MUST REMAIN WITHIN DIMENSIONS		MATERIAL NO. SEE CHART		THIS DRAWING CONTAINS INFORMATION THAT IS PROPRIETARY TO MOLEX INCORPORATED AND SHOULD NOT BE USED WITHOUT WRITTEN PERMISSION						