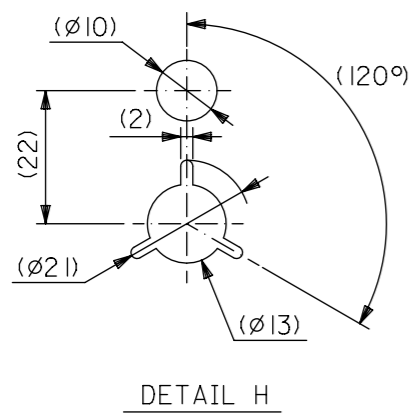
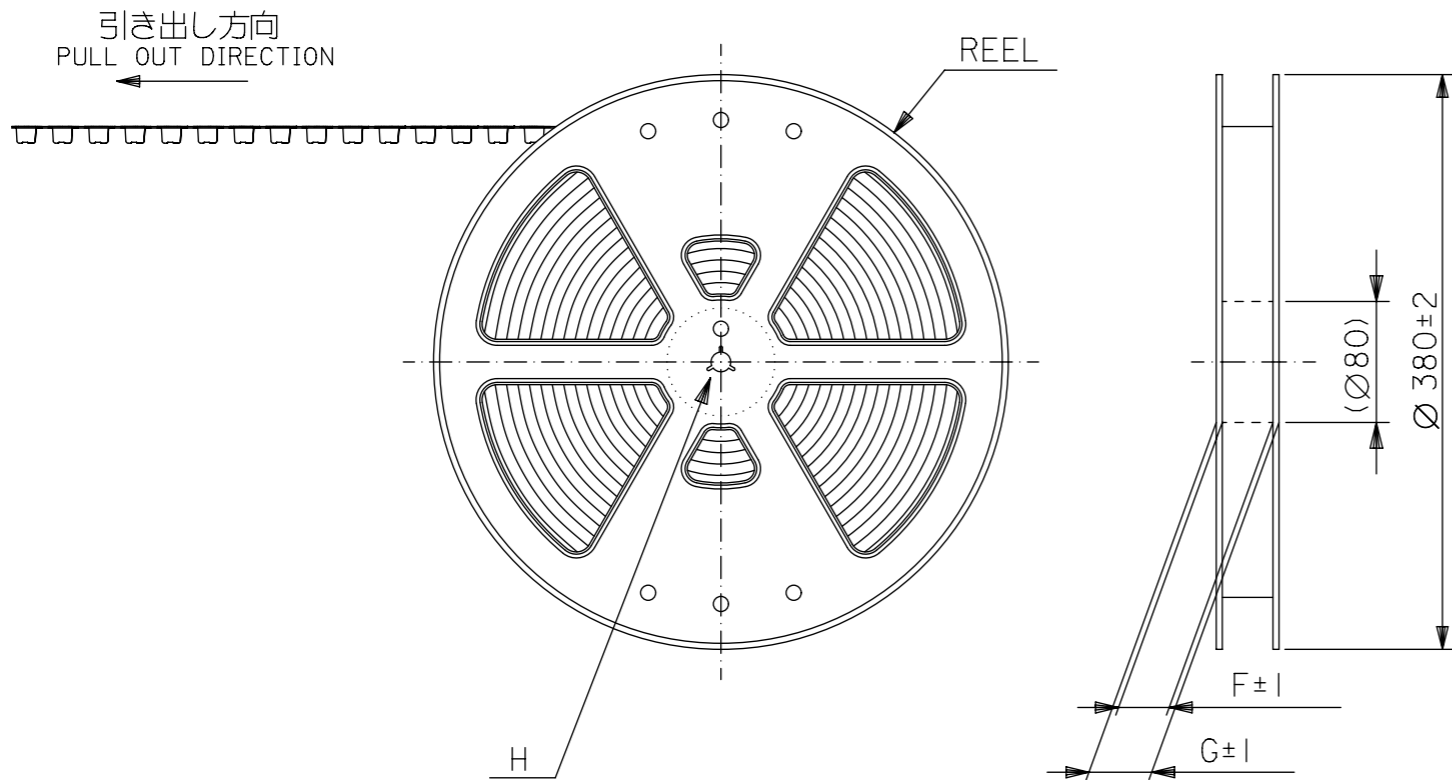


注記 NOTES

1. 材質  
MATERIAL  
ハウジング : ガラス入り LCP、白色、UL94V-0  
HOUSING: G.F.LCP, WHITE, UL94V-0  
ターミナル : 銅合金 (t=0.2)  
TERMINAL: COPPER ALLOY  
ネイル : 銅合金 (t=0.25)  
NAIL: COPPER ALLOY
2. メッキ仕様  
PLATING  
ターミナル : 接点部 : 金メッキ 0.25 μm MIN.  
CONTACT AREA; GOLD 0.25 MICROMETER MIN.  
半田付け部 : 錫メッキ 2.0 μm MIN.  
SOLDER TAIL AREA; TIN 2.0 MICROMETER MIN.  
下地メッキ : ニッケルメッキ 2.0 μm MIN.  
UNDER-PLATING : NICKEL 2.0 MICROMETER MIN.  
補強金具 : 錫メッキ 1.0 μm MIN.  
FITTING NAIL : TIN 1.0 MICROMETER MINIMUM  
下地メッキ : ニッケルメッキ 1.0 μm MIN.  
UNDER-PLATING : NICKEL 1.0 MICROMETER MIN.
3. 200極以下のテール平坦度は 0.1 MAX.、  
TAIL COPLANARITY TO BE 0.1 MAX.  
240極のテール平坦度は 0.12 MAX. とする。  
IN 240 CIRCUITS, TAIL COPLANARITY TO BE 0.12 MAX.

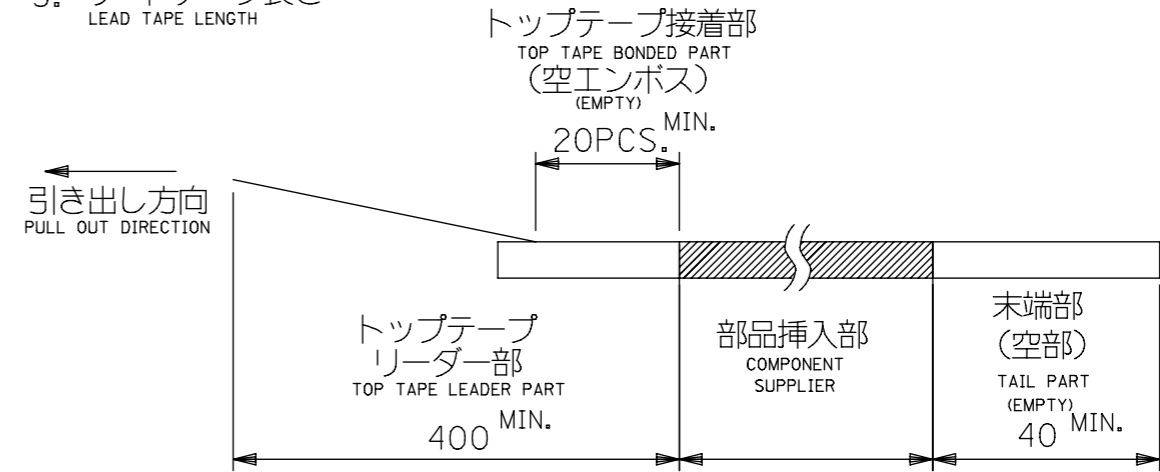
WITHOUT HSG LOCK	29.67	33.27	28.07	24.765	52760-0878	80	
WITH HSG LOCK	23.32	26.92	21.72	18.415	52760-0678	60	
	20.15	23.75	18.55	15.24	52760-0578	50	
	D	C	B	A	EMBOSSED TAPE PACKAGE オーダー番号 ORDER NO.	極数 CIRCUITS	
						CONNECTOR SERIES No. : 52760-**70	

THIS DRAWING CONTAINS INFORMATION THAT IS PROPRIETARY TO MOLEX ELECTRONIC TECHNOLOGIES, LLC AND SHOULD NOT BE USED WITHOUT WRITTEN PERMISSION		CURRENT REV DESC: REVISED		<b>molex</b>	
GENERAL TOLERANCES (UNLESS SPECIFIED)		SCALE			
0.25 UNDER UNDER ±0.03		mm NTS		EC NO: 623239	
0.25 OVER 0.5 UNDER ±0.05		GENERAL TOLERANCES (UNLESS SPECIFIED)		DRWN: JFURUKAWA 2019/07/12	
0.5 OVER 1.0 UNDER ±0.1		ANGULAR TOL ± 3.0°		CHK'D: YNAITO 2019/09/19	
1.0 OVER 10 UNDER ±0.2		4 PLACES ±		APPR: RTAKEUCHI 2019/09/19	
10 OVER 30 UNDER ±0.25		3 PLACES ±		INITIAL REVISION:	
30 OVER ±0.3		2 PLACES ±		DRWN: YWADA 2004/03/05	
DRAFT WHERE APPLICABLE MUST REMAIN WITHIN DIMENSIONS		1 PLACE ±		APPR: MSASAO 2004/03/09	
THIRD ANGLE PROJECTION		DRAWING		DOCUMENT NUMBER	
A3-SIZE		SERIES		SD-52760-013	
MATERIAL NUMBER		CUSTOMER		DOC TYPE DOC PART REVISION	
SEE CHART		GENERAL MARKET		PSD 001 G	
SHEET NUMBER		1 OF 1			

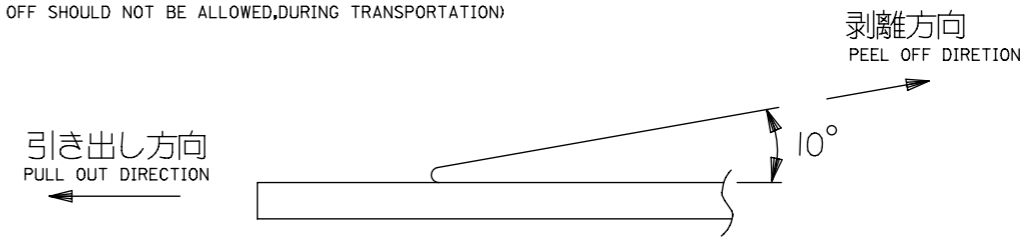


注)  
NOTES

- 製品番号52760-\*\*-70の詳細寸法については、SD-52760-013を参照下さい。  
IN THE PACKAGE, PART NO. 52760-\*\*-70 DETAILED DIMENSIONS, SEE SD-52760-013.
- 梱包数量 : 1000個/リール  
NUMBER OF CONNECTORS : 1000 PCS/REEL
- リードテープ長さ  
LEAD TAPE LENGTH

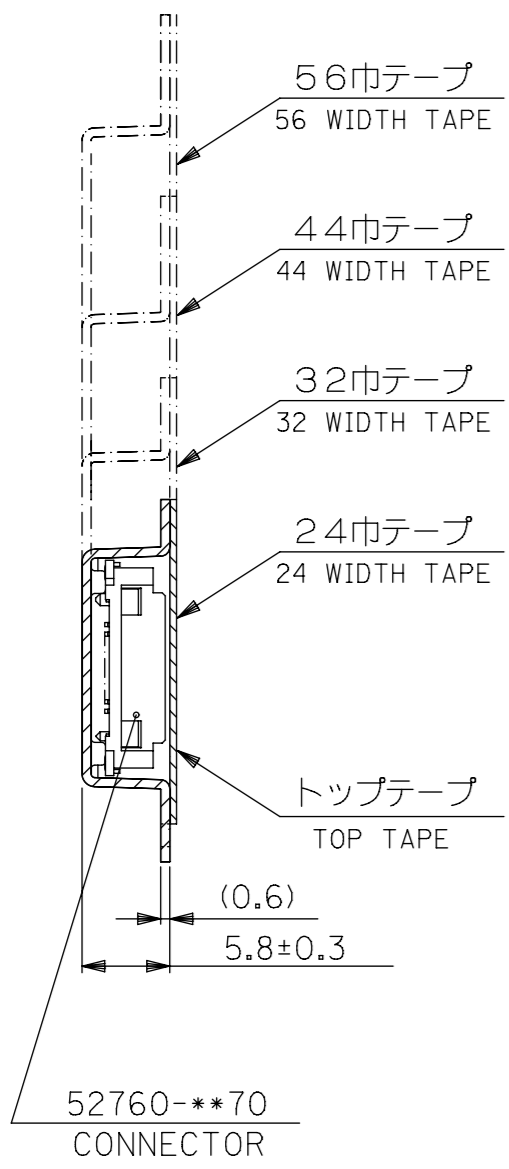


- トップテープの剥離強度 : (剥離方向は下図参照)  
PEELING OFF FORCE OF TOP TAPE (PEELING DIRECTION AS SHOWN IN FOLLOWING FIG.)  
0. 1N~1.3N {10gf~130gf}  
尚、本規格値は、出荷時に適用。  
THIS REQUIREMENT SHOULD BE APPLIED AT SHIPMENT  
(但し、輸送時に剥離が発生しない事。)  
(PEEL OFF SHOULD NOT BE ALLOWED, DURING TRANSPORTATION)

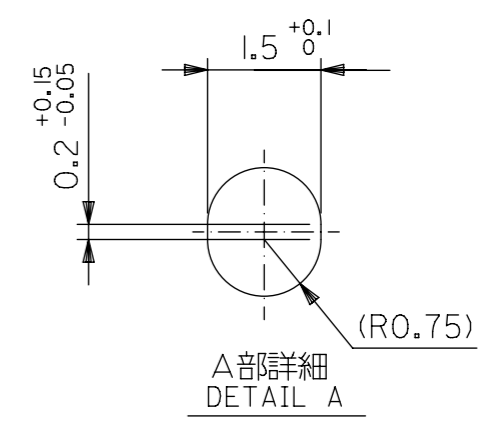
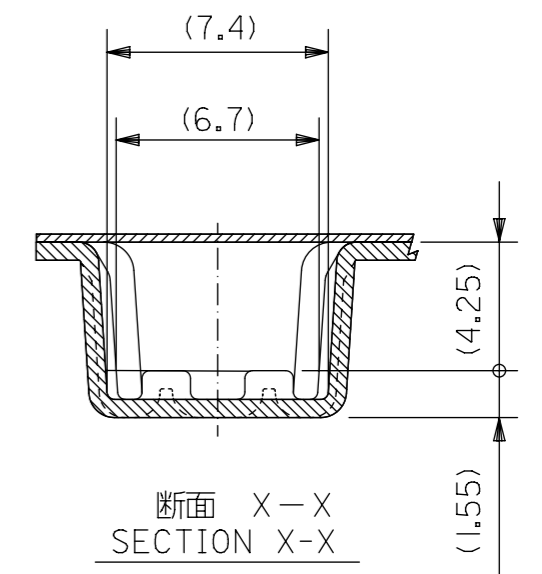
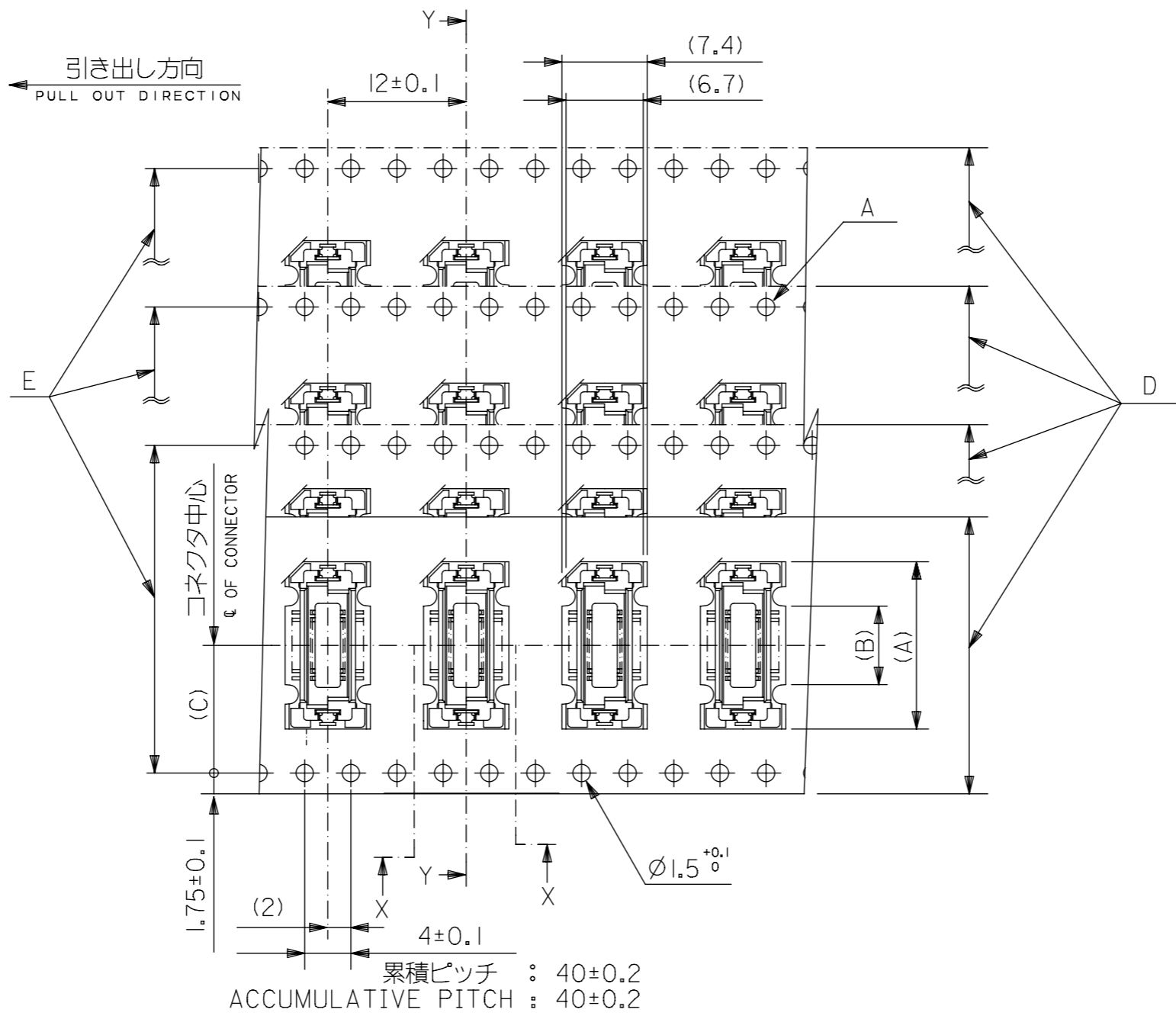


- 材料  
MATERIAL  
キャリアテープ : ポリプロピレン (PP)  
CARRIER TAPE : POLYPROPYLENE (PP)  
トップテープ : PET, PE, PEF  
TOP TAPE : PET, PE, PEF  
リール : ポリスチレン  
REEL : POLYSTYRENE

GENERAL TOLERANCES (UNLESS SPECIFIED)				MODEL No.	52760-**-78
0.25	UNDER	UNDER	± 0.03	THIS DRAWING CONTAINS INFORMATION THAT IS PROPRIETARY TO MOLEX ELECTRONIC TECHNOLOGIES, LLC AND SHOULD NOT BE USED WITHOUT WRITTEN PERMISSION	
0.25	OVER	0.5 UNDER	± 0.05		
0.5	OVER	1.0 UNDER	± 0.1		
1.0	OVER	10 UNDER	± 0.2		
10	OVER	30 UNDER	± 0.25		
30	OVER		± 0.3	CURRENT REV DESC:	
ANGULAR	± --- °			EC NO: 623239	
DRAFT WHERE APPLICABLE MUST REMAIN WITHIN DIMENSIONS				DRWN: JFURUKAWA 2019/08/29	
				CHK'D: YNAITO 2019/09/19	
DRAFT WHERE APPLICABLE MUST REMAIN WITHIN DIMENSIONS				APPR: RTAKEUCHI 2019/09/19	
				INITIAL REVISION:	
DRAFT WHERE APPLICABLE MUST REMAIN WITHIN DIMENSIONS				DRWN: YWADA 2004/03/05	
				APPR: MSASAO 2004/03/09	
THIRD ANGLE PROJECTION		DRAWING	SERIES	MATERIAL NUMBER	CUSTOMER
A3-SIZE		52760	SEE CHART	GENERAL MARKET	SHEET NUMBER
					1 OF 2



断面 Y-Y  
SECTION Y-Y



49.4	45.4	40.4	44±0.3	20.2	25.9	33.6	52760-0878	80	○	
					19.5	27.2	52760-0678	60	○	
					16.4	24.1	52760-0578	50	○	
G	F	E	D	キャリアテープ幅 CARRIER TAPE WIDTH	(C)	(B)	(A)	MATERIAL No.	極数 CKT. No.	量産対応 AVAILABLE
								MODEL No. 52760-***78		

GENERAL TOLERANCES (UNLESS SPECIFIED)				
0.25	UNDER	UNDER		± 0.03
0.25	OVER	0.5	UNDER	± 0.05
0.5	OVER	1.0	UNDER	± 0.1
1.0	OVER	10	UNDER	± 0.2
10	OVER	30	UNDER	± 0.25
30	OVER			± 0.3
ANGULAR	± --- °			

DRAFT WHERE APPLICABLE  
MUST REMAIN  
WITHIN DIMENSIONS

THIS DRAWING CONTAINS INFORMATION THAT IS PROPRIETARY TO MOLEX ELECTRONIC TECHNOLOGIES, LLC AND SHOULD NOT BE USED WITHOUT WRITTEN PERMISSION

SCALE: 1:1

GENERAL TOLERANCES (UNLESS SPECIFIED)

ANGULAR TOL	±	
4 PLACES	±	0.2
3 PLACES	±	0.25
2 PLACES	±	0.3
1 PLACE	±	
0 PLACES	±	

DRAFT WHERE APPLICABLE  
MUST REMAIN  
WITHIN DIMENSIONS

THIRD ANGLE PROJECTION

CURRENT REV DESC:

EC NO: 623239  
DRWN: JFURUKAWA 2019/08/29  
CHK'D: YNAITO 2019/09/19  
APPR: RTAKEUCHI 2019/09/19

INITIAL REVISION:  
DRWN: YWADA 2004/03/05  
APPR: MSASAO 2004/03/09

**molex**

EMBOSSSED TAPE PACKAGE  
FOR 52760-\*\*\*70 -LEAD FREE-

PRODUCT CUSTOMER DRAWING

DOCUMENT NUMBER	DOC TYPE	DOC PART	REVISION
SD-52760-014	PSD	001	E

DRAWING	SERIES	MATERIAL NUMBER	CUSTOMER	SHEET NUMBER
A3-SIZE	52760	SEE CHART	GENERAL MARKET	2 OF 2