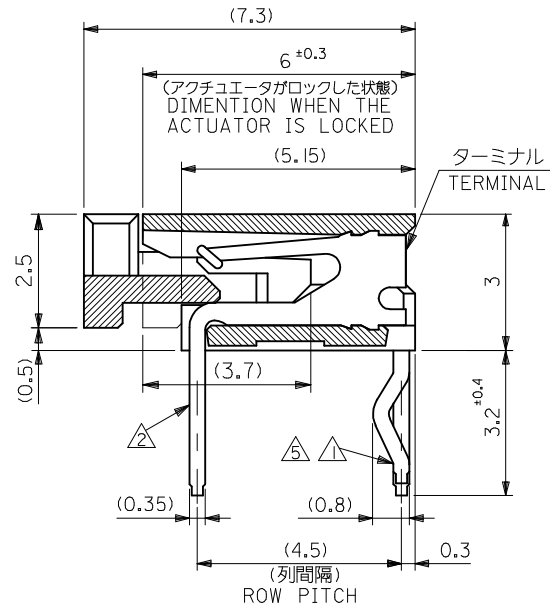
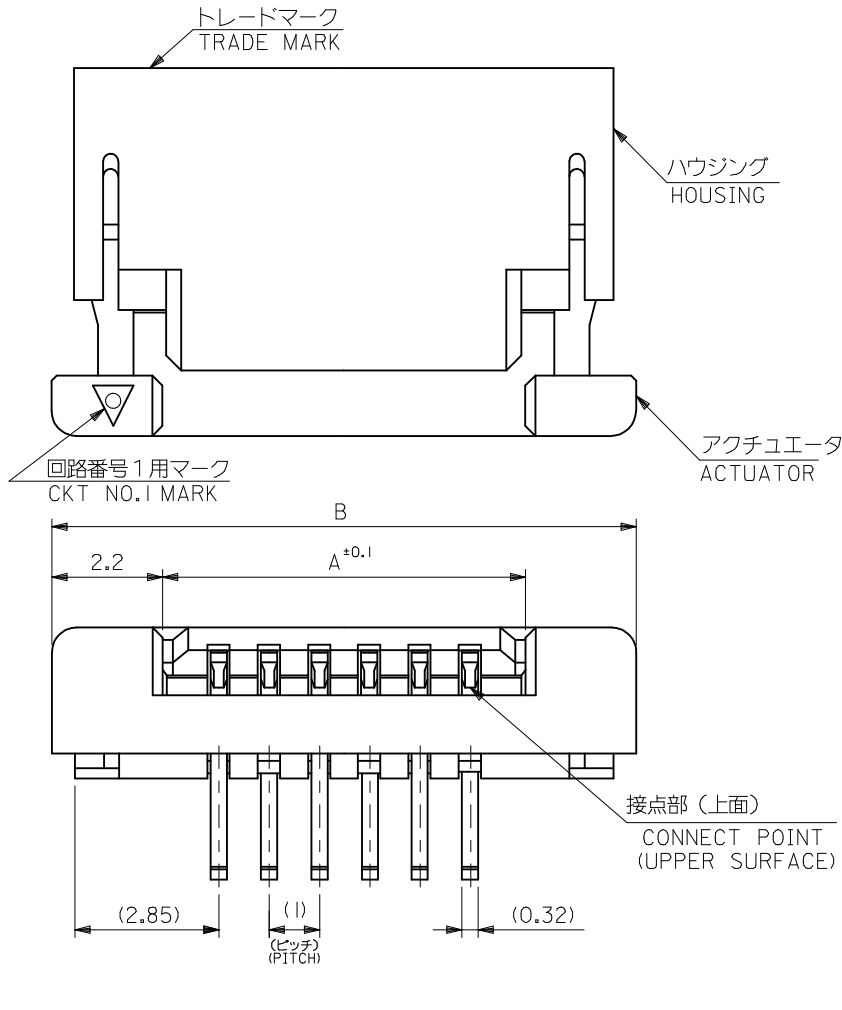
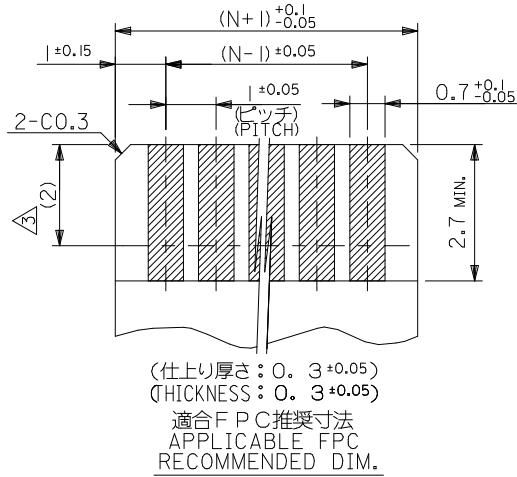
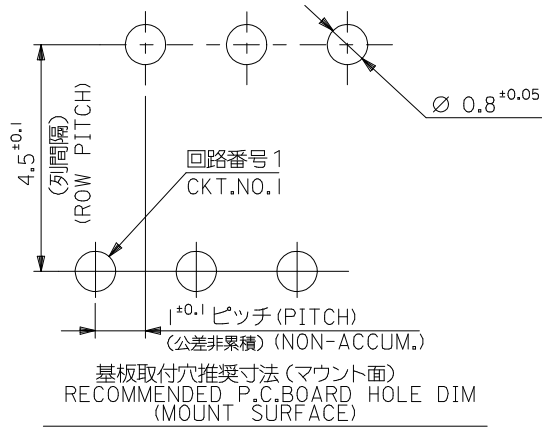


SD-52089-010



35.6	31.2	52089-3029	30
34.6	30.2	-2929	29
33.6	29.2	-2829	28
32.6	28.2	-2729	27
31.6	27.2	-2629	26
30.6	26.2	-2529	25
29.6	25.2	-2429	24
28.6	24.2	-2329	23
27.6	23.2	-2229	22
26.6	22.2	-2129	21
25.6	21.2	-2029	20
24.6	20.2	-1929	19
23.6	19.2	-1829	18
22.6	18.2	-1729	17
21.6	17.2	-1629	16
20.6	16.2	-1529	15
19.6	15.2	-1429	14
18.6	14.2	-1329	13
17.6	13.2	-1229	12
16.6	12.2	-1129	11
15.6	11.2	-1029	10
14.6	10.2	-0929	9
13.6	9.2	-0829	8
12.6	8.2	-0729	7
11.6	7.2	-0629	6
10.6	6.2	52089-0529	5
B	A	MATERIAL NO.	極数 CKT.

REVISED EC NO: J2013-1517 DRWN: AYOSHI 01 2013/06/13 CHKD: YKOBAYASHI 02 2013/06/13 APPR: YNOGAWA 2013/07/03	GENERAL TOLERANCES (UNLESS SPECIFIED)		DIMENSION STYLE MM ONLY	SCALE ---	DESIGN UNITS METRIC	THIRD ANGLE PROJECTION	
	10 UNDER	± ---	DRAWN BY AYOSHI 01	DATE 2013/06/13	TITLE 1.0 FPC CONN. Z.I.F. R/A -LEAD FREE-		
	10 OVER 30 UNDER	± ---	CHECKED BY YKOBAYASHI 02	DATE 2013/06/13			
	30 OVER	± ---	APPROVED BY	DATE			
ANGULAR	± --- °	MATERIAL NO. SEE CHART		DOCUMENT NO. SD-52089-010	SHEET NO. 1 OF 2		
DRAFT WHERE APPLICABLE MUST REMAIN WITHIN DIMENSIONS		SIZE A3	THIS DRAWING CONTAINS INFORMATION THAT IS PROPRIETARY TO MOLEX INCORPORATED AND SHOULD NOT BE USED WITHOUT WRITTEN PERMISSION				



注記 NOTES

- △ CKT NO.1を基準に偶数番目のソルダータール。
EVEN NUMBER SOLDER TAIL
- △ CKT NO.1を基準に奇数番目のソルダータール。
ODD NUMBER SOLDER TAIL
- △ 接点部までの嵌合長さ。
LENGTH TO CONTACT POINT.
- 4. 使用材料
MATERIAL
 - ハウジング : 66ナイロン, UL94V-0
HOUSING : 66NYLON, UL94V-0
 - アクチュエータ : ポリエステル, UL94V-0
ACTUATOR : POLYESTER, UL94V-0
 - ターミナル : リン青銅, ニッケル下地 錫ビスマスメッキ
TERMINAL : PHOS-BRO.TIN-BISMUTH PLATED OVER NICKEL
- △ キングはソルダータール△の両端のみに適用。
KINK APPLIES BOTH SIDE △ TERMINALS ONLY
- 6. 本製品は 52089-***20 の鉛フリー品である。
THIS PRODUCT IS LEAD FREE OF 52089-***20

FPCについて:

打抜き方向は導体側から補強板側を推奨致します。
補強フィルム材質はポリイミドを推奨致します。
接着剤は熱硬化接着剤を推奨致します。

ABOUT FPC:

RECOMMENDED PUNCHER DIRECTION : FORM CONDUCTOR SIDE TO STIFFENER BOARD SIDE.
RECOMMENDED MATERIAL:
STIFFENER FILM : POLYIMIDE
BONDING AGENT : THERMOSETTING BONDING AGENT

REVISED EC NO: J2013-4517 DRWN: AYOSHI 01 2013/06/13 CHKD: YKOBAYASHI 02 2013/06/13 APPR: YNOGAWA 2013/07/03	GENERAL TOLERANCES (UNLESS SPECIFIED)		DIMENSION STYLE MM ONLY	SCALE ---	DESIGN UNITS METRIC	THIRD ANGLE PROJECTION
	10 UNDER	± ---	DRAWN BY AYOSHI 01	DATE 2013/06/13	TITLE 1.0 FPC CONN. Z.I.F. R/A -LEAD FREE-	
	10 OVER 30 UNDER	± ---	CHECKED BY YKOBAYASHI 02	DATE 2013/06/13		
	30 OVER	± ---	APPROVED BY	DATE		
ANGULAR	± --- °	MATERIAL NO. SEE SHEET 1 OF 2	DOCUMENT NO. SD-52089-010	SHEET NO. 2 OF 2		
DRAFT WHERE APPLICABLE MUST REMAIN WITHIN DIMENSIONS		SIZE A3	THIS DRAWING CONTAINS INFORMATION THAT IS PROPRIETARY TO MOLEX INCORPORATED AND SHOULD NOT BE USED WITHOUT WRITTEN PERMISSION			