



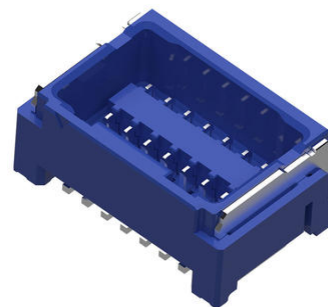
Part Number : [5054332484](#)

Product Description : 1.25mm Pitch, Micro-Lock Plus PCB Header, Dual Row, Vertical, Surface Mount, Tin-Bismuth Plating, Positive Lock, 24 Circuits, with Pick-and-Place Tape, Blue

Series Number : 505433

Status : Active

Product Category : PCB Headers and Receptacles



Documents & Resources

Drawings

[5054332484 sd.pdf](#)

3D Models and Design Files

[STEP AP242](#)

[SOLIDWORKS](#)

[Creo](#)

[Symbol and Footprint \(Multi-Format\)](#)

[5054332484.dxf](#)


Specifications

[5054320000-AS-000.pdf](#)

[2145270000-PS-000.pdf](#)

Product Environment Compliance

Compliance

GADSL/IMDS	Compliant with Exemption 44; 33
China RoHS	 per SJ/T 11365-2006
EU ELV	Not Relevant
Low-Halogen Status	Not Low-Halogen per IEC 61249-2-21
REACH SVHC	Not Contained per D(2024)6225-DC (07 Nov 2024)
EU RoHS	Compliant per EU 2015/863

Compliance Statements

- EU RoHS
- REACH SVHC
- Low-Halogen

Industry Documents

- IPC 1752A Class C
- IPC 1752A Class D
- Molex Product Compliance Declaration
- IEC-62474
- chemSHERPA (xml)

Substances of Interest

- PFAS

EU RoHS Certificate of Compliance

Additional Product Compliance Information

Part Details

General

Status	Active
Category	PCB Headers and Receptacles
Series	505433
Description	1.25mm Pitch, Micro-Lock Plus PCB Header, Dual Row, Vertical, Surface Mount, Tin-Bismuth Plating, Positive Lock, 24 Circuits, with Pick-and-Place Tape, Blue
Application	Signal, Wire-to-Board
Component Type	PCB Header
Product Name	Micro-Lock Plus
UPC	889056620550

Agency

UL	E29179
----	--------

Electrical

Current - Maximum per Contact	1.5A
Voltage - Maximum	50V AC (RMS)/DC

Physical

Breakaway	No
Circuits (Loaded)	24
Circuits (maximum)	24
Color - Resin	Blue
Durability (mating cycles max)	30
First Mate / Last Break	No
Glow-Wire Capable	No
Guide to Mating Part	No
Keying to Mating Part	Yes
Lock to Mating Part	Yes
Material - Metal	Brass
Material - Plating Mating	Tin-Bismuth
Material - Plating Termination	Tin-Bismuth
Material - Resin	Polyamide
Net Weight	1367.564/mg
Number of Rows	2
Orientation	Vertical
Packaging Type	Embossed Tape on Reel
PCB Locator	No
PCB Retention	Yes
Pitch - Mating Interface	1.25mm
Pitch - Termination Interface	1.25mm
Plating min - Mating	1.000µm
Plating min - Termination	1.000µm
Polarized to Mating Part	Yes
Polarized to PCB	Yes
Robotic Placement	Vacuum Pick-Up Tape
Shrouded	Fully
Stackable	No
Temperature Range - Operating	-40° to +105°C
Termination Interface Style	Surface Mount

Mates With / Use With

Mates with Part(s)

Description	Part Number
1.25mm Pitch, Micro-Lock Plus Dual Row Receptacle Housings	<u>505432</u>
1.25mm Pitch Micro-Lock Plus TPA Type Dual Row Receptacle Housings	<u>214527</u>